

## Sunshades with Corian® Solid Surface



This non-metal, vertical fin system combines the best of CS' manufacturing and technical expertise with the versatility, functionality and durability of Corian® Solid Surface. The result is a beautiful, high-end shading system that reduces heat, glare, and energy costs.

### Benefits

- Thermoformable to create compound curved shapes
- Superior corrosion resistance vs traditional aluminum sunshades
- Translucent material integrates with LED lighting to create inspirational effects
- Pre-engineered system to meet stringent exterior applications
- Pieces can be spliced for continuous situations

### Features

- UV resistant
- Resistant to salt fog
- Durable
- Easy to maintain & restore
- Impact & scratch resistant
- Class A fire rating

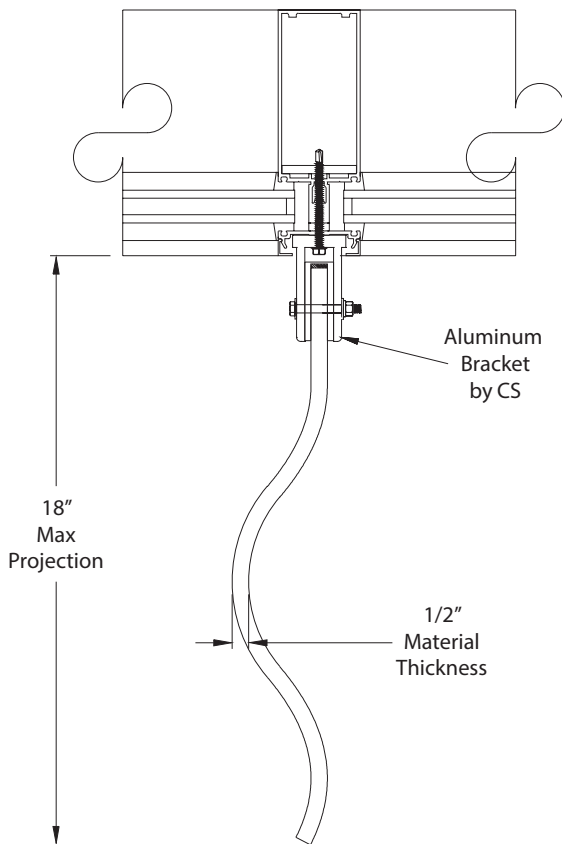
VERTICAL SUNSHADE

### Sunshades with Corian® Solid Surface

#### Building Segments

- Higher Education
- Transportation
- Corporate Office
- High Rise Residential
- Sports & Entertainment
- Hospitality
- Healthcare

#### Product & Connection Details



\* Splices required on fins longer than 144"

#### Warranty

- 1-year system (brackets & attachments included)
- 10-year Corian® Solid Surface material

#### Standard Color Options



Aspen



Glacier Ice



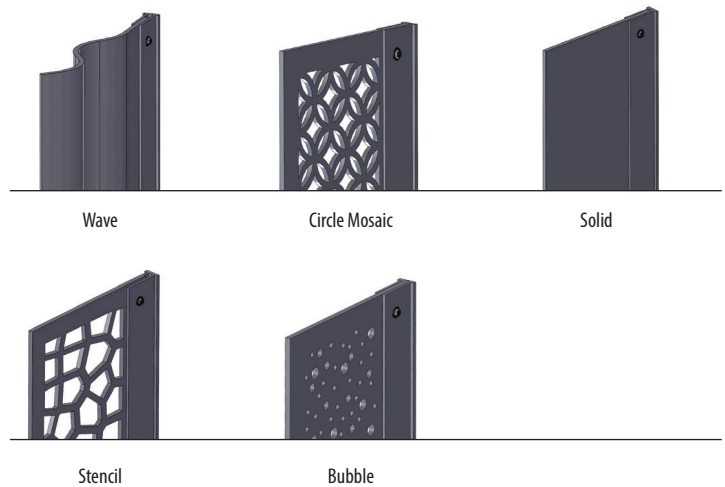
Glacier White



Concrete

\*See all finish options on the color sheet.

#### Standard Shapes



\*Call for custom designs.

#### Corian® Certifications/Testing

