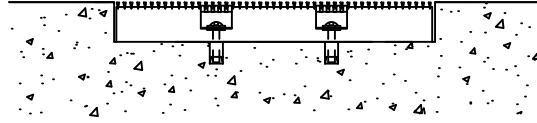




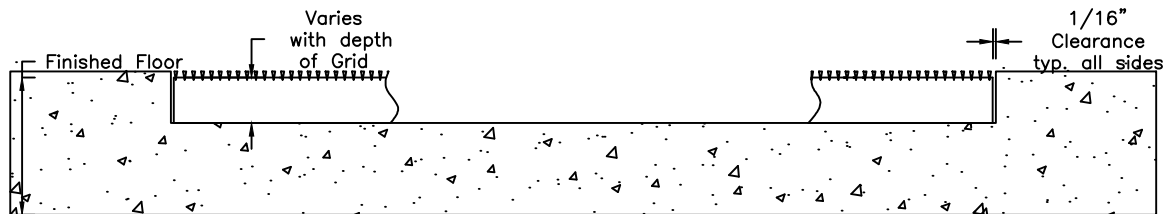
INSTALLATION INSTRUCTIONS GRIDLINE G6 WITH NO FRAME



1.) SITE PREP

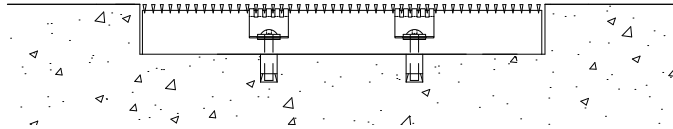
- USE WOOD FORMS TO PREPARE A RECESS IN THE CONCRETE A MINIMUM 1-1/4" DEPTH FOR 1-1/8" GRILLE AND 3/4" FOR 5/8" GRILLE AND 1/2" FOR 3/8" GRILLE DEPTH TO FINAL FINISHED FLOOR SURFACE.
- RECESS SHOULD BE MADE TO OVERALL SIZE OF UNIT, PLUS 1/16" ON ALL SIDES OF THE RECESS TO ALLOW FOR CLEARANCE.
- AFTER CONCRETE HAS CURED, REMOVE THE WOOD FORMS.
- IMPORTANT THE BED SURFACE MUST BE SMOOTH AND FLAT TO ENSURE PROPER GRID INSTALLATION, ALIGNMENT, AND TO PREVENT TRIPPING HAZARDS.
- (SEE ILLUSTRATION A) BELOW

(ILLUSTRATION A)





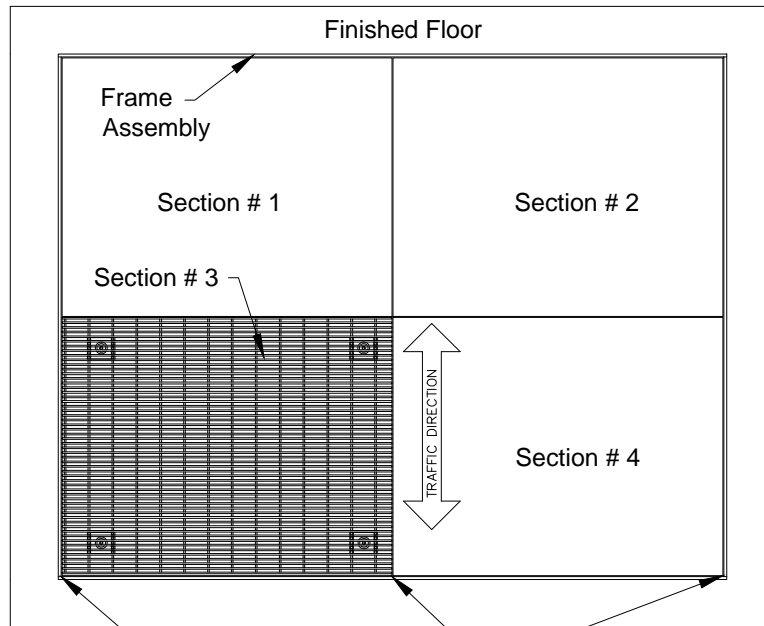
**INSTALLATION INSTRUCTIONS
GRIDLINE G6 WITH NO FRAME**



5.) GRIDLINE INSTALLATION

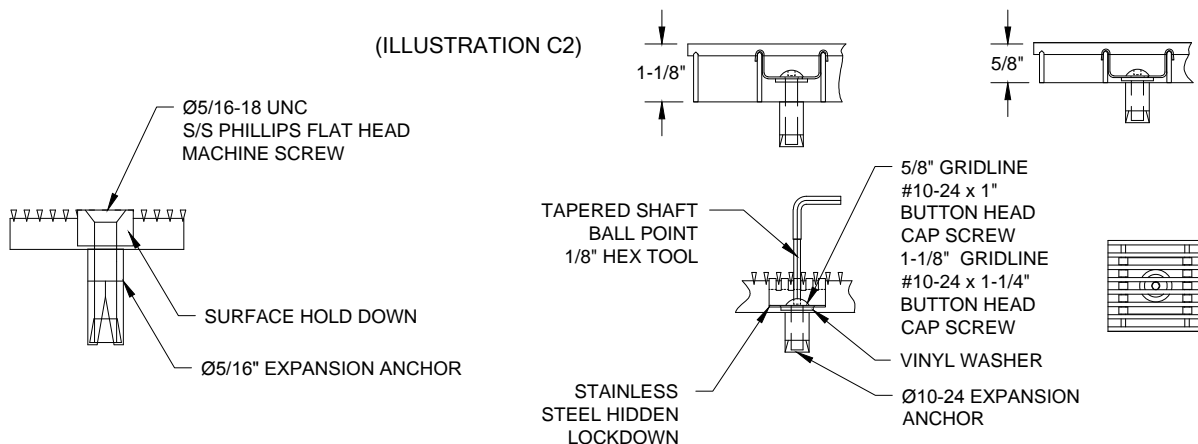
- TRIAL FIT THE GRIDLINE MODULES AT LOCATIONS INDICATED ON THE SHOP DRAWINGS WITHIN THE FRAMES, SO EACH MODULE IS ALIGNED AND EVENLY SPACED BETWEEN RECESS WALL AND ADJACENT MODULES (SEE ILLUSTRATION C1). MARK ALL LOCK DOWN FASTENER LOCATIONS ON THE PIT SURFACE AND ON THE GRID MODULES THEN REMOVE ALL GRID MODULES. DRILL ALL FASTENER HOLES AT MARKED LOCATIONS. (NOTE: 3/8" HOLE AT 5/8" DEPTH OR SURFACE LOCKDOWNS- 5/16" HOLE AT 1 5/8" DEPTH). INSTALL EXPANSION ANCHORS. (NOTE: WITH WEDGE OF EXPANSION ANCHOR IN HOLE FIRST, USE SETTING TOOL PROVIDED TO SET THE EXPANSION ANCHOR BEFORE INSTALLING THE GRIDS). ATTACH ALL HIDDEN LOCK DOWN CLIPS WITH CAP SCREW, FLAT WASHER AND RETAINING WASHERS ATTACHED TO THE GRIDLINE MODULE AT MARKED LOCATIONS. REPEAT FOR ALL MODULES. REPLACE ALL MODULES AT INTENDED LOCATIONS.
- USE THE 1/8" HEX TOOL (HIDDEN LOCKDOWNS) OR PHILLIPS DRIVE (SURFACE LOCKDOWN) TO START EACH FASTENER INTO EACH EXPANSION ANCHOR. ONCE ALL ARE ENGAGED, SNUG ALL FASTENERS TIGHT. STARTING FROM THE CENTER WORKING OUT TOWARDS THE PERIMETER IN A ROTATING MANNER. REPEAT FOR ALL MODULES. (SEE ILLUSTRATION C2).

(ILLUSTRATION C1)



CLEARANCE EQUALLY SPACED BETWEEN FRAME AND ADJACENT MODULES

(ILLUSTRATION C2)





INSTALLATION INSTRUCTIONS GRIDLINE G6 WITH NO FRAME

6.) COMPLETION

IT IS NECESSARY TO COVER THE INSTALLATION WITH 3/4" PLYWOOD UNTIL ALL ADDITIONAL PROJECT WORK IS COMPLETED. THIS WILL PROTECT THE GRIDLINE FROM POTENTIAL ABUSE DURING THE CONSTRUCTION PHASE. DAMAGE OCCURRING FROM INADEQUATE PROTECTION DURING THIS PHASE MAY VOID THE MANUFACTURER'S WARRANTY.

7.) CARE AND MAINTENANCE INSTRUCTIONS

- MANUFACTURER'S SUGGESTED SAFE ROLLING LOAD FOR THE GRIDLINE G6 IS 500# PER WHEEL. HEAVY LOADS BEYOND THIS WEIGHT MAY DAMAGE THE UNITS, CONTRIBUTING TO THEIR PREMATURE FAILURE OR CREATING A TRIPPING HAZARD.
- CLEAN THE RECESS AS FREQUENTLY AS NECESSARY. THIS WILL PREVENT AN EXCESS BUILDUP OF DIRT UNDER THE GRIDS.
- CLEAN THE TOP SURFACE OF THE GRIDS WITH A STIFF BRISTLE BRUSH AND HOUSEHOLD CLEANER. REMOVE ALL CLOGGED OR CAKED MATERIALS FROM BETWEEN ALL WIRE OPENINGS.
- PERIODICALLY REMOVE GRIDS TO DEEP CLEAN RECESS AND GRID WITH A POWER WASHER.
- REPLACEMENT OF THE GRIDLINE MODULES, REPLACE EACH MODULE TO ORIGINAL POSITION AND ENGAGE ALL FASTENERS PRIOR TO FINAL TIGHTENING OF EACH FASTENER. CLEANING ENABLES GRIDLINE TO FUNCTION AS INTENDED. CALL US AT (800) 233-8493 (MUNCY) OR (888) 895-8955 (CANADA) AND OUR SALES GROUP WILL ASSIST YOU WITH SPECIAL NEEDS OR CONDITIONS, LOADING CONSIDERATIONS AND INSTALLATION RELATED ISSUES.



Fast Access to Online Resources



Muncy, Pennsylvania • (800) 233-8493 • Fax (570) 546-5169
Mississauga Ontario • (888) 895-8955 • Fax (905) 274-6241
www.csgroup.com

This document is the property of Construction Specialties, Inc. and contains CONFIDENTIAL PROPRIETARY INFORMATION that is not to be disclosed to third parties and is not to be used without approval in writing from Construction Specialties, Inc.