

HELIX MODEL Z1 WITH SURFACE MOUNTED ALUMINUM FRAME

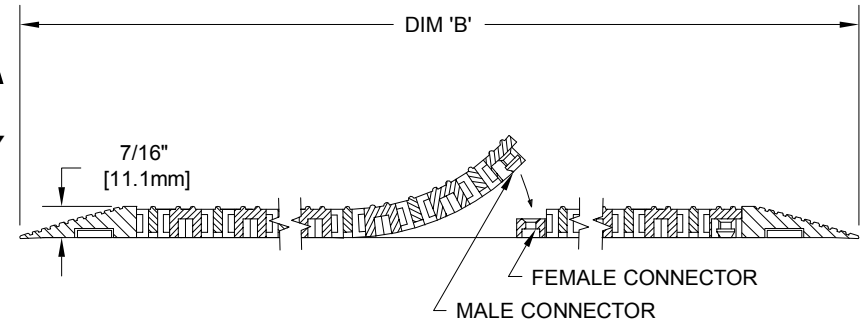
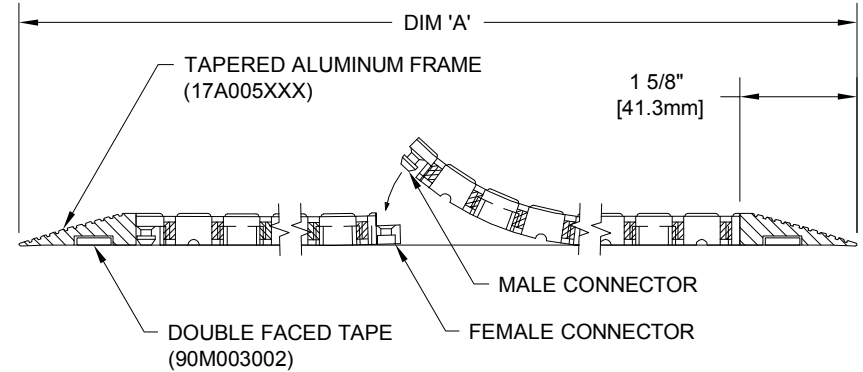
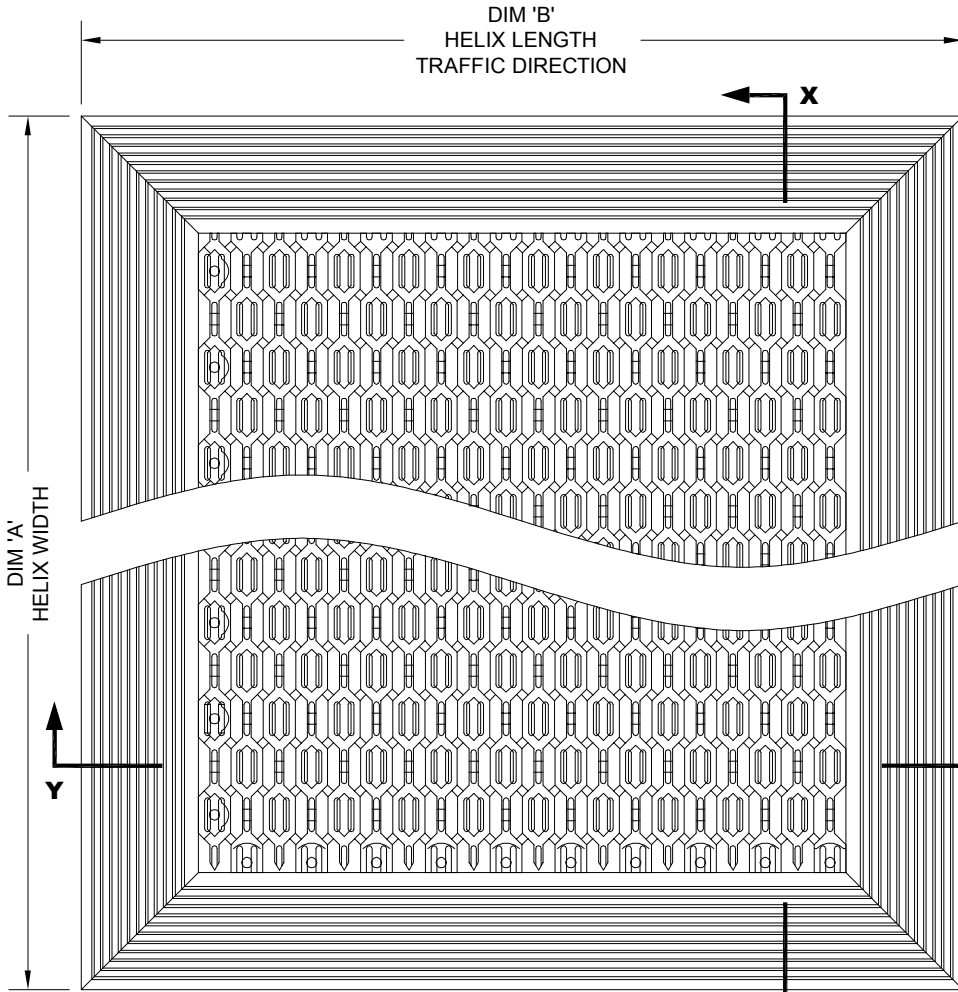
INSERT STYLE: Z1

INSERT COLOR: NA

CATALOG NUMBER: HZ1

PART NUMBER: 181001XXX

NO.	REVISION	DATE	BY
NO.	F&F RELEASE	DATE	BY



NOTES:

*SUPPLIED IN 3' X 3' OR 4' X 3' MODULES TO SPEED FIELD ASSEMBLY. OPTIONAL SINGLE TILE BOXES (60 TILES) ARE AVAILABLE.

*ADDITIONAL SPECIFICATIONS ARE CONTAINED IN THE LATEST C/S CATALOG OR AT C-SGROUP.COM AND ARE CONSIDERED PART OF THIS TRANSMITTAL.

*HELIX Z1 IS ABLE TO SUPPORT A 600 LB ROLLING LOAD.

*INDIVIDUAL TILES MEASURE 12" WIDE BY 9" IN LENGTH.

CS Construction Specialties™
 6806 Route 408 Highway, Muncy PA 17788
 (800) 233-8498 · Fax: (570) 546-4622 · www.c-sgroup.com

PLEASE VERIFY ALL	QTY	MARK #	LOCATION	MODEL	DIM 'A' WIDTH	DIM 'B' LENGTH	MAT COLOR (BLACK, GRAY, OR BROWN)	FRAME FINISH

PROJECT:		
LOCATION:		
CONTRACTOR:		
AGENT:		SHT:
DRG. BY:	DATE:	JOB NO.: