

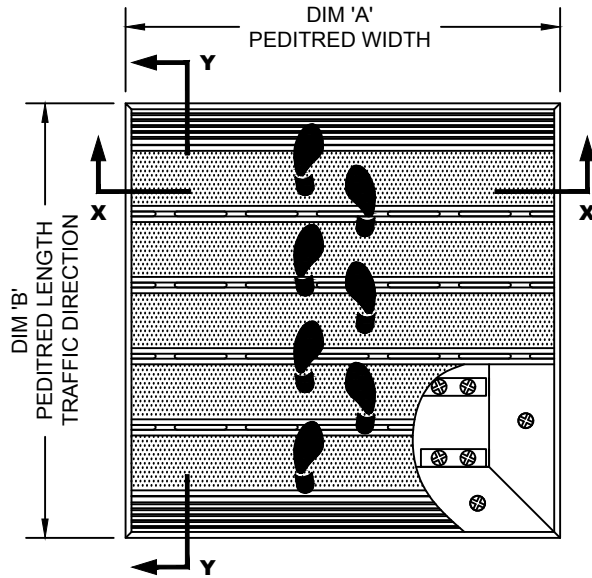
PEDITRED WITH TAPERED ANGLE FRAME

INSERT STYLE: INSERT COLOR: PLEASE ADVISE CATALOG NUMBER: G4 PART NUMBER:

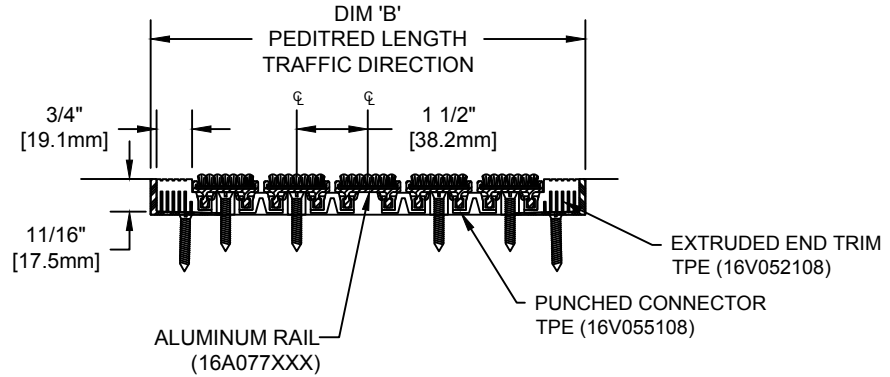
NO.	REVISION	DATE	BY
NO.	F&F RELEASE	DATE	BY

- | | | | | | | |
|---|---|---|---|---|---|---|
|  |  |  |  |  |  |  |
| RECYCLED RUBBER
G4RR
19R005XXX | EXTERIOR
CARPET
G4EC
19C018XXX | HEAVY-DUTY
CARPET
G4HC
19C010XXX | RUBBER
G4V
19V022501
#8501 BLACK | VINYL ABRASIVE
G4VA
19A007XXX
19M001XXX | POURED
ABRASIVE INSERT
G4PA
19A005XXX | PEDITRED SA
SERRATED ALUMINUM
G7
16A078001 |

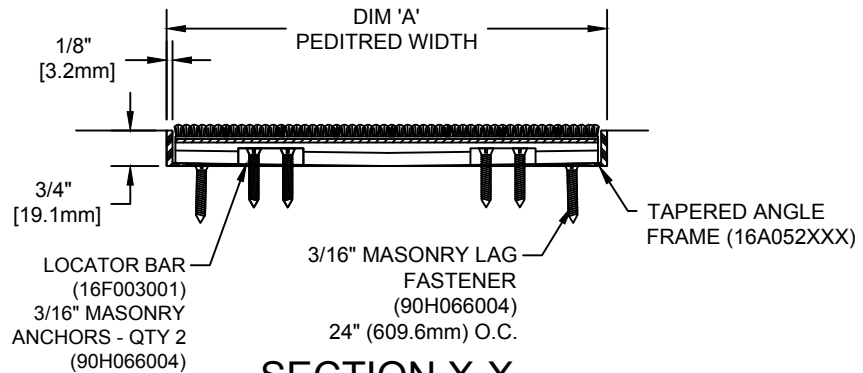
PEDITRED INSERT STYLES



TYPICAL PLAN VIEW



SECTION Y-Y



SECTION X-X

NOTES:

*ALL SURFACES IN CONTACT WITH MASONRY ARE TO RECEIVE A COAT OF ZINC CHROMATE PRIMER

*MAX. SINGLE GRID SIZE NOT TO EXCEED 12'-0" (3.66M) IN WIDTH (DIM "A") OR 3'-0" [91M] IN LENGTH (DIM "B").

*PLEASE VERIFY TRAFFIC DIRECTION

*ADDITIONAL SPECIFICATIONS ARE CONTAINED IN THE LATEST C/S CATALOG OR AT C-SGROUP.COM AND ARE CONSIDERED PART OF THIS TRANSMITTAL.

*PEDITRED SHALL BE ABLE TO SUPPORT A 1000 LB. ROLLING LOAD.

	Construction Specialties™
6696 Route 405 Highway, Muncy PA 17756 (800) 233-8493 • Fax (570) 546-4692 • www.c-sgroup.com	

PLEASE VERIFY ALL	QTY	MARK #	LOCATION	MODEL	DIM 'A' WIDTH	DIM 'B' LENGTH	FINISH	NOTES

PROJECT:		
LOCATION:		
CONTRACTOR:		
AGENT:		SHT:
DRG. BY:	DATE:	JOB NO.: