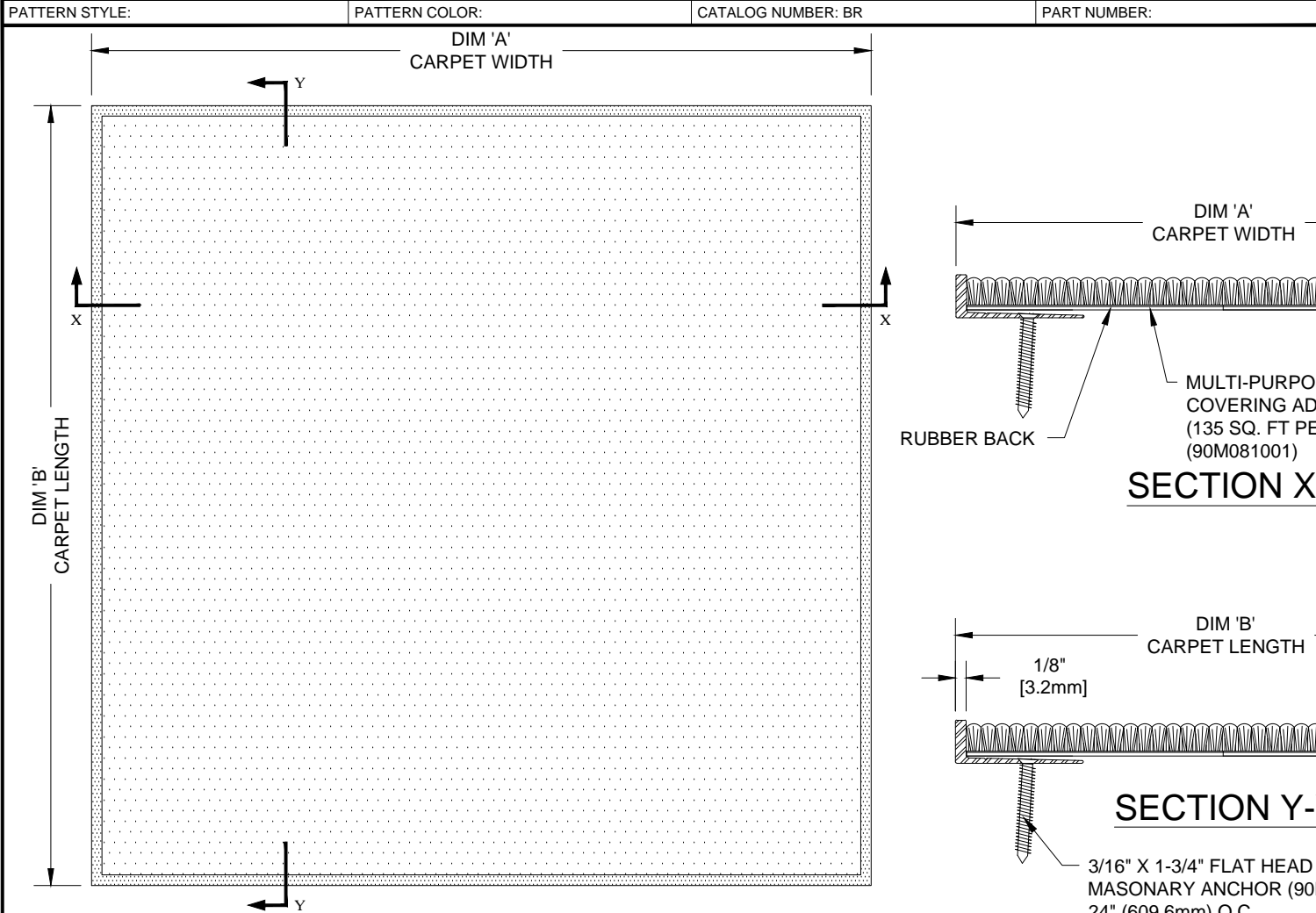
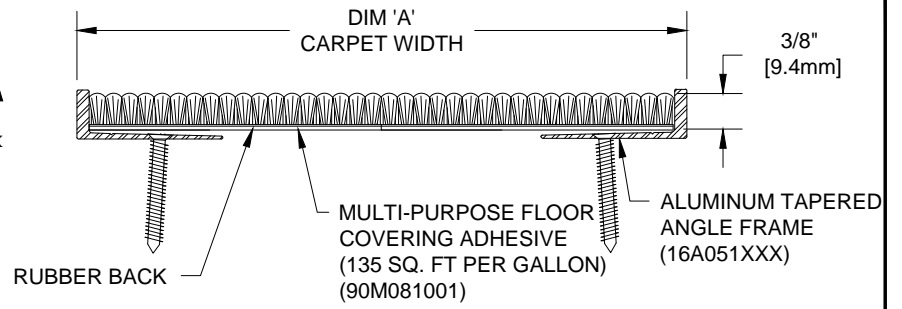


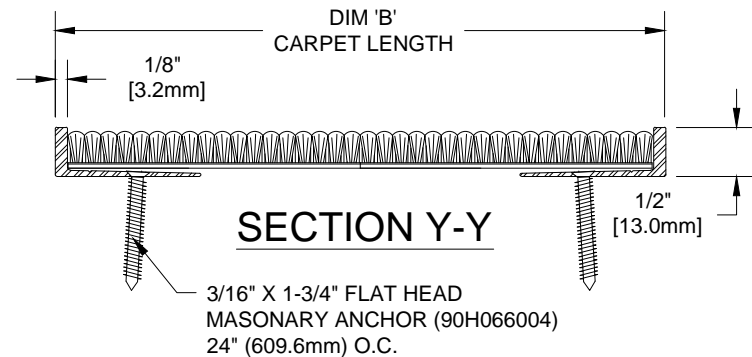
DESIGNSTEP™ (ENTRANCE CARPET) TAPERED ANGLE FRAME



TYPICAL PLAN VIEW



SECTION X-X



SECTION Y-Y

NOTES:

*C/S ENTRANCE CARPET IS COMPOSED OF 100% UV RESISTANT POLYPROPYLENE FIBERS WITH A FACE WEIGHT OF 44 oz.

*CARPET IS SUPPLIED WITH ALL WEATHER NON-SKID RUBBER BACKING.

*CARPET ROLL CUTS WILL BE SUPPLIED OVERSIZED FOR FIELD TRIMMING IN LENGTHS AND WIDTHS OF EITHER 6'-7" OR 13'-2".

*PATTERN AVAILABLE IN POWERPOINT OR DURATION.

*ADDITIONAL SPECIFICATIONS ARE CONTAINED IN THE LATEST C/S CATALOG OR AT C-SGROUP.COM AND ARE CONSIDERED PART OF THIS TRANSMITTAL.

NO.	REVISION	DATE	BY
NO.	F&F RELEASE	DATE	BY

PLEASE VERIFY ALL	QTY	MARK #	LOCATION	MODEL	DIM 'A' WIDTH	DIM 'B' LENGTH	FRAME FINISH	REMARKS

CS Construction Specialties™
 6696 Route 405 Highway, Muncy PA 17756
 (800) 233-8493 • Fax (570) 546-4692 • www.c-sgroup.com

PROJECT: _____
 LOCATION: _____
 CONTRACTOR: _____
 AGENT: _____ SHT: _____
 DRG. BY: _____ DATE: _____ JOB NO.: _____