

# D1 & D2 DOOR FRAME PROTECTION

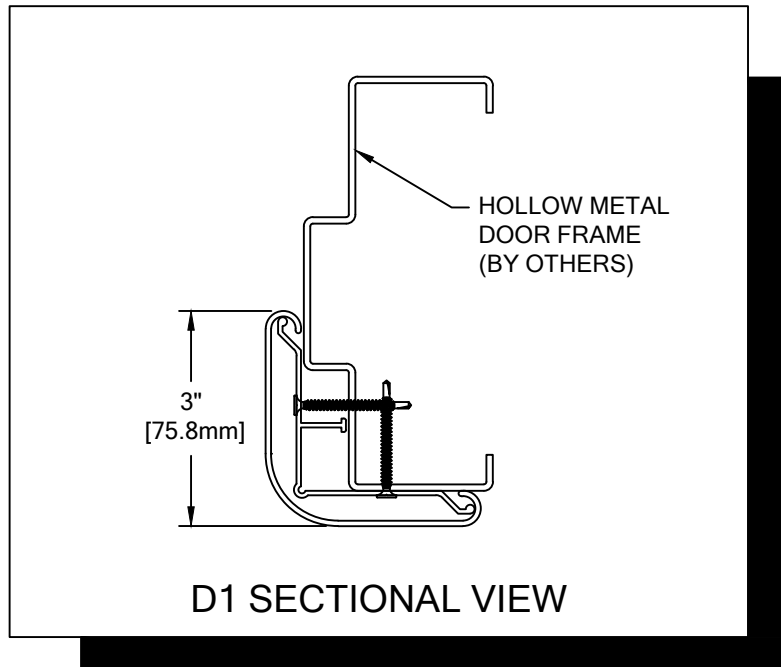
PLEASE READ

PLEASE READ THESE INSTRUCTIONS THOROUGHLY PRIOR TO BEGINNING THE D1 & D2 DOOR FRAME PROTECTOR INSTALLATION!

THIS INSTRUCTION SHEET IS INTENDED TO PROVIDE A SPECIFIC GUIDE TO FOLLOW FOR THE INSTALLATION OF THIS D1 & D2 DOOR FRAME PROTECTORS. CONTAINED WITHIN IS THE TECHNICAL INFORMATION AND INSTALLATION TECHNIQUES REQUIRED TO COMPLETE AN EFFICIENT, NEAT AND LONG-LASTING INSTALLATION.

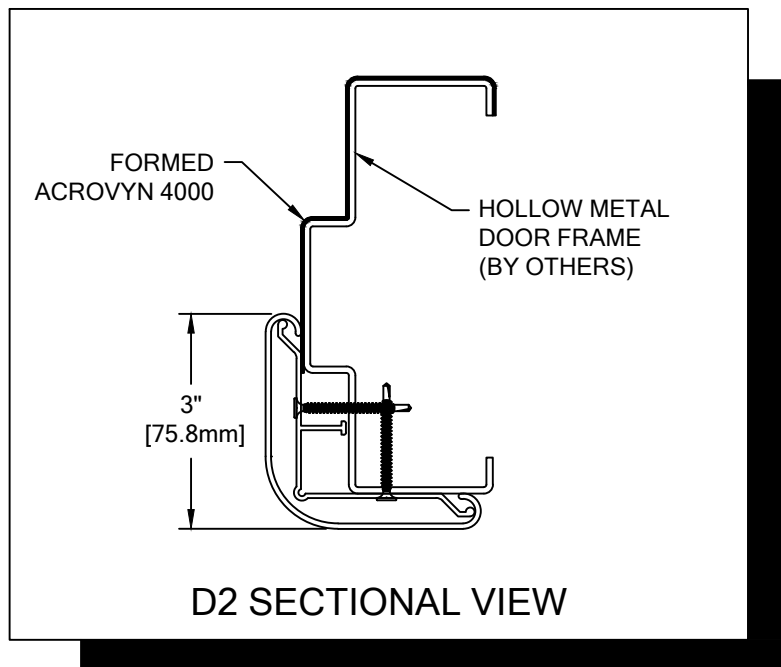
INSPECT ALL MATERIALS FOR DAMAGE OR MISSING PARTS. IF YOU DISCOVER DAMAGED OR MISSING MATERIALS, IN THE USA PLEASE NOTIFY THE FACTORY AT (800) 233-8493, AND IN CANADA (888) 895-8955 FOR CUSTOMER SERVICE.

D1 & D2 DOOR FRAME PROTECTORS MUST BE INSTALLED IN ACCORDANCE WITH THESE INSTRUCTIONS! FAILURE TO FOLLOW THESE INSTRUCTIONS MAY VOID ANY PRODUCT WARRANTIES AND RESULT IN AN UNSUCCESSFUL INSTALLATION. FOR SPECIFIC QUESTIONS REGARDING THE INSTALLATION OF D1 & D2 DOOR FRAME PROTECTORS PLEASE CALL THE FACTORY IN THE USA AT (800) 233-8493 OR EMAIL [IWPTECHSUPPORT@C-SGROUP.COM](mailto:IWPTECHSUPPORT@C-SGROUP.COM). IN CANADA CALL (888) 895-8955 .



IMPORTANT NOTES

1. ALL MATERIAL TO BE SUPPLIED IN STOCK LENGTHS. THIS MATERIAL IS TO BE FIELD CUT USING QUALITY EQUIPMENT TO INSURE THAT ALL CUTS ARE SQUARE. WHEN CUTTING MATERIAL SECTIONS, CS RECOMMENDS USING AN 80-100 TOOTH CARBIDE TIPPED SAW BLADE OR EQUIVALENT, TO MINIMIZE CHIPPING AND MAINTAIN JOINT ALIGNMENT.
2. ACROVYN DOOR FRAME PROTECTORS ARE FORMED AS CLOSELY TO DOOR FRAME DIMENSIONS AS THE FABRICATION PROCESS WILL ALLOW BUT MAY NOT BE A PERFECT FIT. DOOR FRAME PROTECTORS MAY GAP AWAY FROM FRAME BY 1/32" TO 1/16" AND HAVE A TOLERANCE OF +1/16" / -0".
3. ALL DIMENSIONS ARE TYPICAL.
4. MATERIAL MUST REACH 65°F MIN. TO 75°F MAX. 24 HOURS PRIOR TO INSTALLATION. THIS IS ESSENTIAL TO MINIMIZE EXPANSION AND CONTRACTION OF MATERIAL.
5. DO NOT EXPOSE DOOR PROTECTION TO ELEVATED TEMPERATURES OR DIRECT SUNLIGHT AFTER INSTALLATION. THIS WILL CAUSE THE SURFACE TEMPERATURE TO RISE, WHICH WILL CAUSE BUBBLES AND DELAMINATION.
6. ONE WH (WARNOCK HERSEY) LABEL AND COMPANY IDENTIFIER PER DOOR FRAME ASSEMBLY. LABELS ARE LOCATED ON BACKSIDE OF DOOR FRAME PROTECTOR.

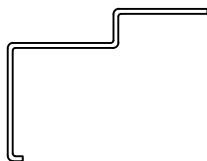
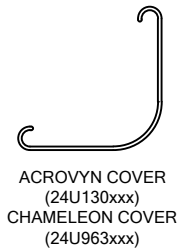
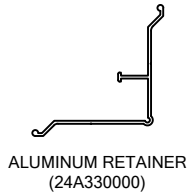


7. ALL D2 DOOR FRAME PROTECTORS COME WITH A 60 MIN. FIRE RATING.
8. FOR MORE INFORMATION ON D1 AND D2 DOOR FRAME PROTECTORS SEE OUR WEBSITE AT [www.c-sgroup.com](http://www.c-sgroup.com).

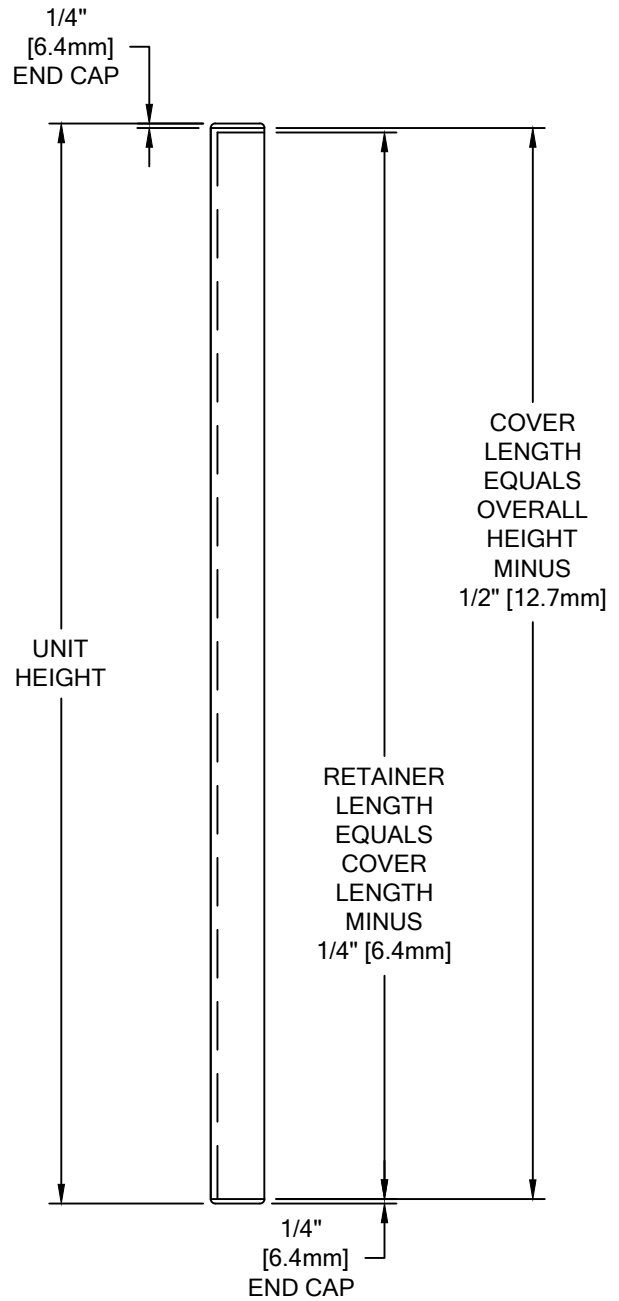
**D1 & D2 DOOR FRAME PROTECTION**

**STANDARD DEDUCTIONS**

COMPONENTS & LAYOUT VIEW



PART 1500 FOR 1 3/8" DOORS  
PART 2000 FOR 1 3/4" DOORS  
(D2 DFP ONLY)



WALL CONDITION	SPECIFIED FASTENER	DRILL DIAMETERS		CS PART NUMBER
		WALL	RETAINER	
STEEL DOOR FRAME WOOD DOOR FRAME	#6 X 1 5/8" BUGLE HEAD SMS	N/A	7/64"	90H079002
STEEL DOOR FRAME WOOD DOOR FRAME	FASTBOND 30 ADHESIVE	5 GALLON 1 GALLON 1 QUART		90M016001 90M014001 90M015001

**D1 & D2 DOOR FRAME PROTECTION**

D2 DFP INSTALLATION

NOTE: IF INSTALLING D1 DOOR FRAME PROTECTORS GO TO PAGE 4.

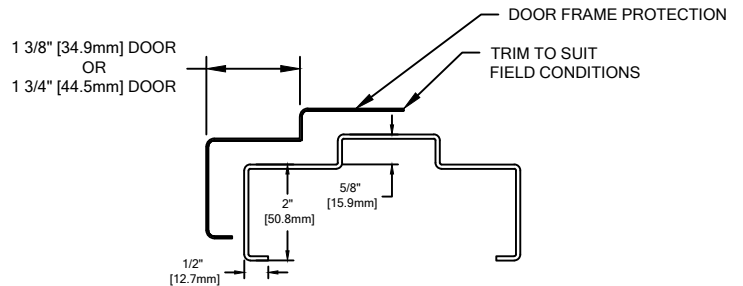
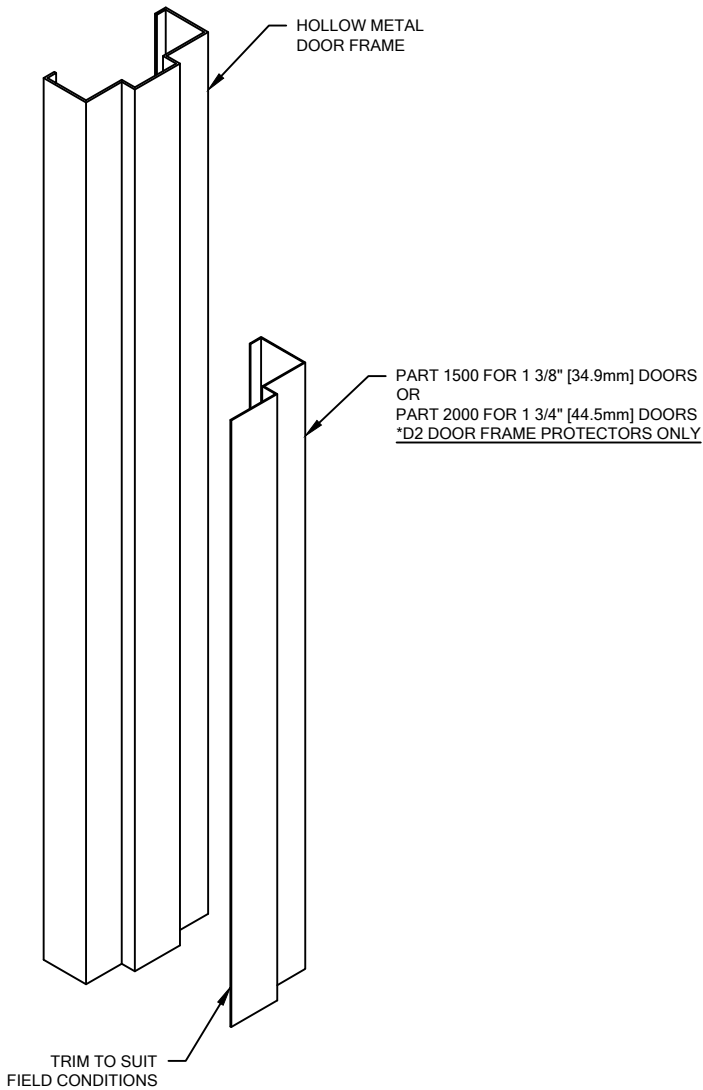
1. ACCLIMATE ALL MATERIALS TO ROOM TEMPERATURE 24 HOURS PRIOR TO INSTALLATION. THE MATERIALS SHOULD NOT BE INSTALLED AT AMBIENT ROOM TEMPERATURES BELOW 65° F.
2. THE INSTALLATION SURFACE MUST BE THOROUGHLY CLEANED, FREE OF DIRT, GREASE, WAX, AND LOOSE PAINT.
3. ESTABLISH DOOR FRAME PROTECTION LOCATION BY DRY FITTING MATERIALS TO THE DOOR FRAME. CHECK DOOR TO FRAME CLEARANCE FOR ANY POTENTIAL INTERFERENCE. IT MAY BE NECESSARY TO SAND OR PLANE THE DOOR TO MAINTAIN PROPER DOOR OPERATION.
4. MASK AREA DIRECTLY ADJACENT THE DOOR FRAME PROTECTION TO AVOID OVER SPREADING OF THE CONTACT ADHESIVE.
5. APPLY THE CONTACT ADHESIVE TO THE DOOR FRAME, AND DOOR FRAME PROTECTION MATERIALS IN ACCORDANCE WITH THE ADHESIVE INSTRUCTIONS.

NOTE: DO NOT APPLY ADHESIVE ON THE HINGE AND STRIKE PLATE MOUNTING SURFACES.

6. ONCE THE CONTACT ADHESIVE HAS DRIED, POSITION THE LARGE SECTION OF DOOR FRAME PROTECTION. TRIM EXCESS TO SUIT FIELD CONDITIONS.

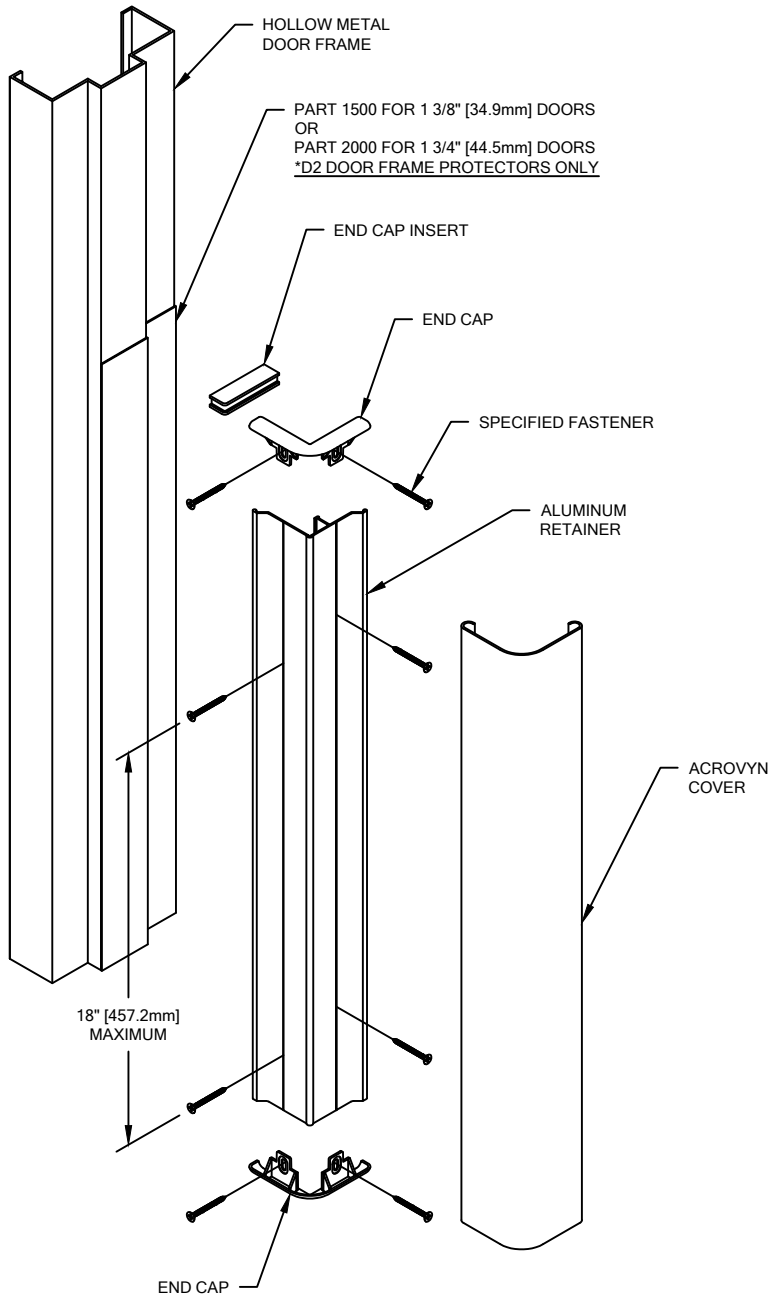
NOTE: A UTILITY KNIFE OR SPIRAL SAW MAY BE USED TO FIELD TRIM DOOR FRAME PROTECTORS. IF USING A UTILITY KNIFE SEVERAL CUTS WILL BE REQUIRED TO CUT COMPLETELY THROUGH.

7. USING A UTILITY KNIFE, TRIM OUT THE HINGE AND STRIKE PLATE LOCATIONS. PRESSURE ROLL THE MATERIALS TO SET THE ADHESIVE.



**D1 & D2 DOOR FRAME PROTECTION**

TYPICAL ASSEMBLY



1. LOCATE AND INSTALL CS DOOR FRAME PROTECTORS IN ACCORDANCE WITH ARCHITECTURAL DRAWINGS AND SPECIFICATIONS. WHEN REQUIRED, CS SHOP DRAWINGS SHOULD BE USED IN CONJUNCTION WITH THESE DOCUMENTS.
2. LAY OUT THE WORK TO BE COMPLETED, INCLUDING COMPONENT PARTS, AT EACH DOOR TO RECEIVE DOOR FRAME PROTECTION AS INDICATED BY THE "DOOR FINISH SCHEDULE". SPOT CHECK THE MATERIAL FOR ANY DAMAGE INCURRED DURING SHIPPING AND/OR HANDLING AT THE JOB SITE.
3. CUT THE ALUMINUM RETAINER TO LENGTH USING THE REQUIRED DEDUCTIONS (REFERENCE STANDARD DEDUCTIONS).

**NOTE:** IT IS RECOMMENDED THAT ACROVYN COVER AND ALUMINUM RETAINER BE CUT WITH AN 80-100 TOOTH CARBIDE TIPPED SAW BLADE OR EQUIVALENT.

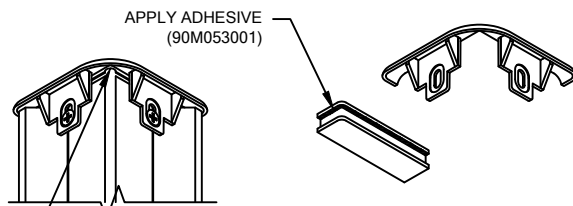
4. A PLASTIC INSERT, REQUIRED AT THE TOP OF EACH UNIT, MAY NEED TO BE TRIMMED TO LENGTH, DEPENDING ON THE WIDTH OF THE DOOR FRAME. BEGIN INSTALLATION BY GLUING PLASTIC INSERT CLOSURE TO THE TOP END CAP, PAYING ATTENTION TO WHERE ASSEMBLY WILL BE USED.
5. PRE-DRILL CLEARANCE HOLES IN THE RETAINER FOR END CAP ATTACHMENT.
6. FASTEN THE ALUMINUM RETAINER TO THE DOOR FRAME SO THAT A 1/4" [6.4mm] MINIMUM SPACE IS LEFT BETWEEN THE FINISHED FLOOR SURFACE AND THE END OF THE RETAINER. THIS SPACE ALLOWS FOR THE PROPER ATTACHMENT OF THE END CAP.
7. PLACE AN END CAP/INSERT ASSEMBLY AGAINST THE TOP OF THE RETAINER. MAKE SURE THAT THE EARS ON THE END CAPS ARE ALIGNED PROPERLY WITH THE RETAINER AND THAT THE EDGE OF THE INSERT RESTS TIGHTLY AGAINST THE EDGE OF THE RETAINER. SECURE THE ASSEMBLY TO THE DOOR FRAME.
8. MAKE SURE THAT ALL FASTENERS ARE SECURED AND ALL PARTS ARE PROPERLY ALIGNED.

**NOTE:** TO AID IN LOCATING THE END CAPS CORRECTLY, CUT A 4" [101.6mm] SECTION OF COVER FROM SCRAP AND SNAP IT ON THE RETAINER. LOCATE THE CAP SO IT ALIGNS FLUSH WITH TOP AND BOTTOM OF THE COVER.

9. CUT THE ACROVYN COVER TO THE PROPER LENGTH USING THE REQUIRED DEDUCTIONS (REFERENCE STANDARD DEDUCTIONS).

**NOTE:** IT IS RECOMMENDED THAT THE ACROVYN COVERS BE CUT SLIGHTLY LONGER (1/32" UP TO 5'-0", 1/16" OVER 5'-0") THAN THE MEASURED DISTANCE. THIS ADDITIONAL LENGTH WILL PROVIDE FOR A TIGHTER COVER-TO-END CAP FIT.

10. COMPLETE THE INSTALLATION BY SNAPPING THE ACROVYN COVER ONTO THE ALUMINUM RETAINER.



END CAP INSERT ASSEMBLY FITS AGAINST END OF RETAINER (FOR USE AT TOP ONLY)

2/13/17