

Please read these instructions prior to beginning the Permanent Adhesive Wall Panel installation.

These instructions are intended to be a guide for technical information and installation techniques required to complete an efficient, neat and long-lasting installation.

Permanent Adhesive Wall Panels must be installed in accordance with these instructions! Failure to follow these instructions may void any product warranties and result in an unsuccessful installation.

IMPORTANT NOTES – DO NOT OVERLOOK THESE

- Inspect materials for damage. Store flat in a clean, dry area with a minimum temperature of 50°F (10°C) and a maximum temperature of 100°F (38°C).
- The building in which the panels are being installed must always be climate controlled between a minimum temperature of 65°F (18°C) and a maximum temperature of 75°F (24°C) and a relative humidity below 80%.
- Materials must reach a temperature between a minimum of 65°F (18°C) and a maximum of 75°F (24°C) max 24 hours prior to installation. This is essential to minimize expansion and contraction of material.
- Don't expose wall panels to elevated temperature or direct sunlight after the installation. This causes the surface temperature to rise, which could cause bubbles and delamination.
- If fire blocking is required by local code requirements, it is supplied by others.
- For any special conditions please see the following pages:
 Installing Acrovyn sheet reveal strips – *page 3*
 Cutting out outlet box locations – *page 3*
 Applying aluminum trim – *page 4*

INSTALLATION TOOLS REQUIRED

Provided by Construction Specialties (CS)

Drafting layout of wall panels (*If Applicable*)
 Wall panels
 M-1 Structural Adhesive (*Coverage: 80 lineal ft. using ¼" bead*)
 Color Matched Fil stick
 #6 x 1-5/8" PHP Bugle head TEK screw (*90H079002*) (*for ceiling panels only*)

If Purchased

Color Matched Caulking	Panel reveal spacer
1-1/2" Acrovyn sheet reveal strips	Primer (<i>Coverage: 350-400 ft²/gallon</i>)
#6 x 3/8" flat head wood screws (<i>90H245002</i>)	Aluminum edge trims

Provided by Contractor

Level and chalk line (*laser level is recommended*)
 Table Saw
 Chop Saw
 Painter's Tape
 Brad nails
 Jig saw / Sonic cutter (*For cutting outlets*)
 Tape measure
 Countersink bit (*For attaching trims*)
 1/8" drill bit (*For attaching trims*)
 Phillip's head driver bit (*For attaching trims*)
 Tin Snips

INSTALLATION INSTRUCTIONS

1. Refer to drafting details, if applicable, for specific reveal width, type, and wall panel locations.

NOTE: If panels are to have reveals with a painted wall, wall should be painted desired reveal color before putting up panels. If panels are to have reveals with Acrovyn sheet reveals, please see page 3 for installing Acrovyn sheet reveals before putting up panels.
2. All outside corners should be installed first.
 - a. If using a standard Acrovyn corner guard, install the corner guard using the supplied installation instructions that came was provided with the product.
 - b. If using a miter folded corner guard, refer to steps 7 through 9 for installing miter fold corner guard. Once all miter folded corner guards are installed, proceed with the wall panel installation by continuing to step 3.
3. At the cove base, find the center of the wall between the installed corner guard(s) and inside corner or end wall in which the wall panel installation is going to begin. Place a marker at the center of the room on the cove base. Painters tape work well to mark centers on the cove base.
4. Once the center of the wall is found, refer to the drafting details and establish a level line at the top of where the first row of wall panels will be placed. Also establish a plumb line in the center of the wall.

NOTE: Level line should be established down from ceiling. The ceiling height should be determined using the highest point in the floor. This will alleviate an uneven floor from coming into play with the panel and reveal layout.

Hughesville, PA	800.233.8493	570.546.5941
Mississauga, ON	888.895.8955	905.274.3611

www.c-sgroup.com
IWPTechSupport@c-sgroup.com

- If the panels have reveals between them, you will need to cut a panel reveal spacer to the desired reveal width to be used as spacers between panels. You will need at least 2 and you need to make sure that the width of the spacer is consistent. Inconsistent spacer width will cause reveals between panels to be inconsistent.

NOTE: Panel reveal spacers of the specified reveal width can be purchased from Construction Specialties.

NOTE: We recommend using a ledger board at the level line to help get the first row of panels on the wall level. This ledger board can also double as part of the bracing system.

- Using a clean damp cloth, wipe off the wall surface and the back of the panels to remove any dirt and dust.
- Apply an uninterrupted 1/4" bead of M1 construction adhesive 1" from the edge, around the entire perimeter of the panel. Panels may require additional beads within the perimeter bead. Maximum distance between beads should not exceed 18". (See figure 1).

NOTE: The bead size should be increased when placing panels over uneven substrates.

- Starting at the first row, install panels in vertical rows from bottom to top. This will allow you to secure the panels with bracing before moving to the next row.

NOTE: If there are panels getting installed on the ceiling, they must be put up before doing the panels on the wall. They must be installed using the supplied M-1 structural adhesive and screwed to the ceiling using the supplied #6 x 1-5/8" Phillips Bugle head TEK screw. Screws must be placed no more than 2" from the edges and max 32" on center. The screws must be counter sunk and filled in with a color matched fil stick.

NOTE: If panels are to have reveals, use a panel reveal spacer in between each panel to help locate the next panel. It is best if painter's tape is used to help hold the spacer in place while putting the panel on the wall to ensure an accurate and consistent reveal throughout.

- When positioned properly, push the panel against the wall until the back of the panel is flush with the wall. Immediately remove any adhesive that may have gotten on the Acrovyn panel.

- Once all panels in a column are adhered to the wall, use necessary spacers to brace the panels to create the needed even pressure to hold the panels to the wall. (See figure 2).

NOTE: Panels must be braced securely against the wall for the first 24 hours.

NOTE: Brad Nails must be used to secure the panel in place until the adhesive cures. Placement of the brad nails must be concealed with the color match fil stick.

- After the panels have been on the wall for 24, the adhesive is cured and the bracing can be removed.



Figure 1.

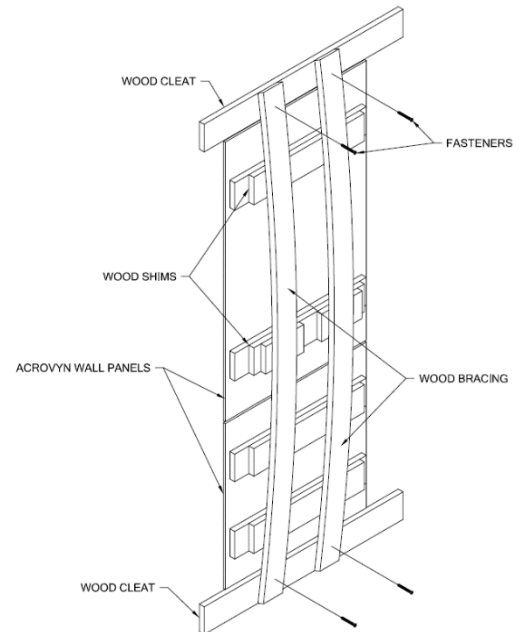


Figure 2.

THE FOLLOWING INSTRUCTIONS ARE FOR SPECIAL CONDITIONS. NOT ALL OF THE FOLLOWING INSTRUCTIONS MAY BE REQUIRED.

INSTALLING ACROVYN SHEET REVEAL STRIPS (IF REQUIRED)

If the wall panels require Acrovyn sheet reveal strips, please follow these instructions BEFORE placing any panels on the wall.

1. Examine all new or existing walls that are to receive Acrovyn sheet reveal strips. They must be clean, smooth, dry and free of any oils or loose paint prior to applying primer.
2. Prime the wall at least 24 hours before installing Acrovyn sheet reveal strips.
3. Once wall is primed and you had left enough time for the primer to set, refer to the drafting details and begin measuring and laying out the Acrovyn sheet reveal strips as located on drafting details.

NOTE: It is recommended that the Acrovyn sheet reveal strips be cut with tin snips or an 80-100 tooth carbide tipped saw blade or equivalent.

4. To place Acrovyn sheet reveal strip on wall, just remove the paper off of the double stick tape on the back of the strip and place on the wall. Once the strip is on the wall, slide your hand down the strip to make sure the tape is adhered to the wall.

NOTE: It is recommended that the vertical Acrovyn sheet reveal strips be installed first, at full lengths. Then proceed with the horizontal strips

5. Once all the reveal strips are up, return to page 1 for instructions on installing wall panels.

CUTTING OUT OUTLET BOX LOCATIONS (IF REQUIRED)

All outlet box locations must be cut in the field.

1. Measure to the center of the outlet box from the edge of adjacent panel or cove base.

NOTE: Be sure to measure the outlet itself as well to ensure you are cutting a hole big enough for the outlet

2. On the wall panel that is to be cut, measure out and use a pencil to mark the location of the cutout for the outlet.
3. Once the location of the outlet is outlined on the panel, we recommend using a Sonic cutter or a jig saw to cut the hole in the panel.

NOTE: We recommend cutting from the back side of the panel or that the panel surface at the cutout area be taped with painters tape to minimize the risk of the toll scratching the finished surface.

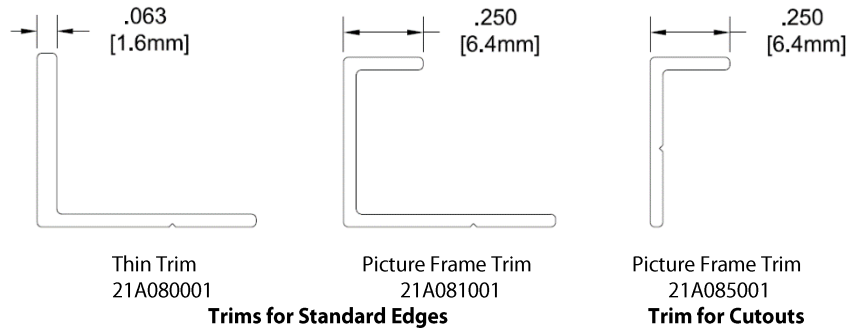
4. After the hole has been cut proceed in putting up the wall panel as instructed above.

NOTE: If trims are not used, the outlet may need to be moved out and will need to have an extension box (supplied by others) used to meet codes and allow the outlet to sit flush with the face of the wall panel. The outlet cover will hide the raw cut edges.

5. Once the outlet box locations are cut out of the panels, return to page 1 for instructions on installing wall panels.

APPLYING ALUMINUM EDGE TRIMS (IF REQUIRED)

At floor, ceiling, outlets, fire cabinets, and other obstructions, an aluminum edge trim is supplied to cover any cut locations on the panels. See below for available aluminum edge trims.



1. Measure the length of the edge of the panel that is going to require the aluminum edge trim.
2. Cut the trims to length.

NOTE: If installing trims on adjacent sides of panel, trims are to be mitered at 45° in the corners.

3. Once the trims are cut, dry fit them on the panel.

NOTE: After trims are cut, ease the cut edges to remove any sharp edges.

For trims for standard edges

4. Once the fit of the trims is acceptable, pre-drill 1/8" clearance holes on the die line of the back of the trim.

NOTE: Panel does NOT need to be pre-drilled. Just the trims get pre-drilled.

5. Attach the trims to the panels with the supplied #6 x 3/8" flat head wood screws.

NOTE: Fasteners in trims are to be no more than 12" on center.

For trim used at the cutouts

4. Apply a 1/8" bead of M1 Structural Adhesive to the inside top corner of the trim.
5. Push the trims tightly to the sides of the panel to spread the adhesive out for a better adhesion. Wipe away any adhesive that might squeeze out along the face of the panel.