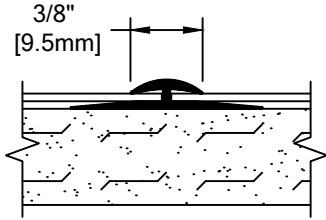


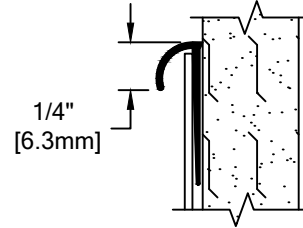
**NOTES:**

ALUMINUM SHEET TRIMS ARE 12'-0" STOCK LENGTH AND CLEAR ANODIZED. FIELD TRIM AS REQUIRED.



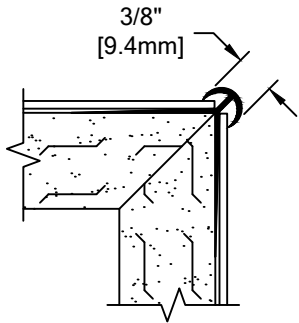
**VERTICAL TRIM**  
(25A008001)

NO. REQ'D: @ 12' \_\_\_\_\_



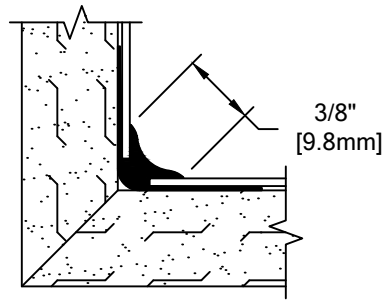
**WAINSCOT TRIM**  
(25A011001)

NO. REQ'D: @ 12' \_\_\_\_\_



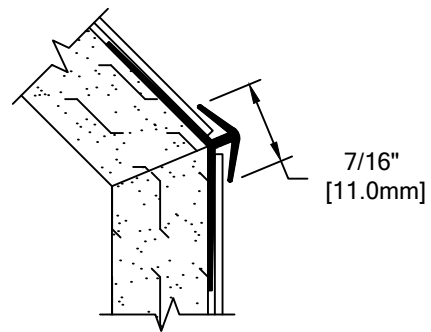
**OUTSIDE CORNER TRIM**  
(25A010001)

NO. REQ'D: @ 12' \_\_\_\_\_




**INSIDE CORNER TRIM**  
(25A009001)

NO. REQ'D: @ 12' \_\_\_\_\_



**135° OUTSIDE CORNER TRIM**  
(25A013001)

NO. REQ'D: @ 12' \_\_\_\_\_

|   |                  |                  |
|---|------------------|------------------|
| <br>Hughesville, PA   800.233.8493   570.546.5941<br>Mississauga, ON   888.895.8955   905.274.3611<br><a href="http://www.c-sgroup.com">www.c-sgroup.com</a><br>© Copyright 2018 Construction Specialties, Inc. | <b>PROJECT:</b>  | <b>REVISION:</b> |
|   | <b>JOB NO.:</b>  | <b>F&amp;F:</b>  |
|   | <b>CUSTOMER:</b> |                  |
|   | <b>REP:</b>      | <b>DATE:</b>     |
|   | <b>DRAWN BY:</b> | <b>SHEET NO:</b> |