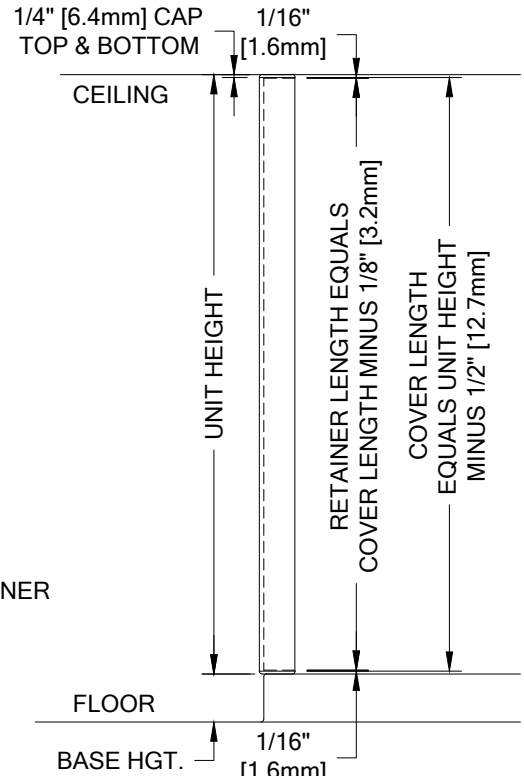
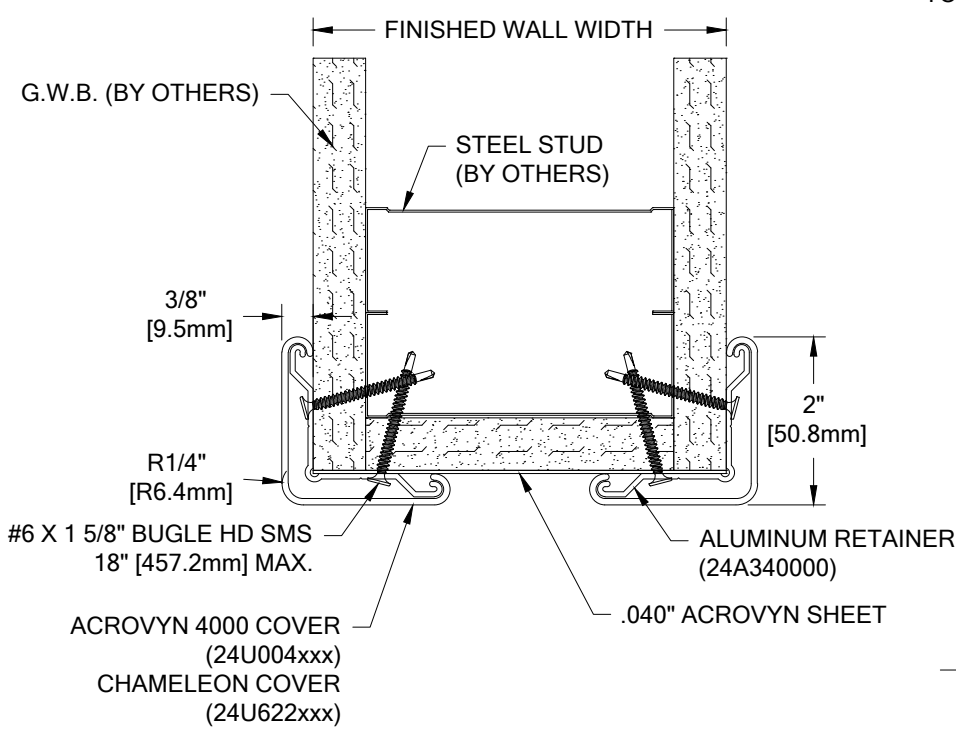


COLOR: \_\_\_\_\_  
 CORNER GUARD: \_\_\_\_\_  
 COLOR TO BE SELECTED FROM ONE OF C/S STANDARD COLORS.  
 \*OPTIONAL HORIZONTAL ACCENT AVAILABLE. SEE C/S CATALOG FOR COLORS.


QTY. REQ'D	UNIT HEIGHT	WALL WIDTH



SURFACE MOUNTED GUARD  
 AT FULL HEIGHT ELEVATION

# SSM-25AN ACROVYN 4000

WALL CONDITION	SPECIFIED FASTENER	DRILL DIAMETERS		C/S PART NUMBER
		WALL	RETAINER	
STEEL STUD/GYPSUM WALL WOOD STUD/GYPSUM WALL	#6 X 1 5/8" BUGLE HEAD SMS	N/A	1/8"	90H079002
CONCRETE/CONCRETE BLOCK	AF-6 PLASTIC ANCHOR #10 X 1 1/2" PHILLIPS PAN HEAD SMS	1/4"	9/32"	90H039004 90H189002
CONCRETE/CONC. BLOCK END CAP ATTACHMENT	1/8" BLIND RIVET #8 SAE FLAT WASHER STEEL PLATED	N/A	5/32"	90H111002 90H10003

 <p><b>Construction Specialties™</b>          6696 Route 405 Highway, Muncy PA 17756          (800) 233-8493 • Fax (570) 546-4692 • www.c-sgroup.com</p>	<b>PROJECT:</b>	<b>REVISION:</b>
	<b>JOB NO.:</b>	<b>F&amp;F:</b>
	<b>CUSTOMER:</b>	
	<b>REP:</b>	<b>DATE:</b>
	<b>DRAWN BY:</b>	<b>SHEET NO:</b>