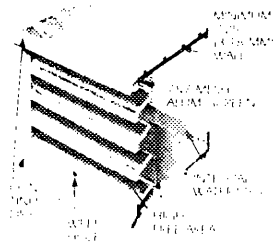
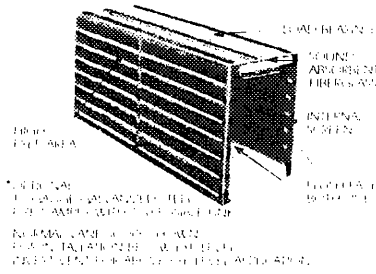


BRICK/BLOCK VENTS

STANDARD BRICK/BLOCK



DUAL FACE BLOCK



4" DEEP STANDARD BRICK AND BLOCK VENTS

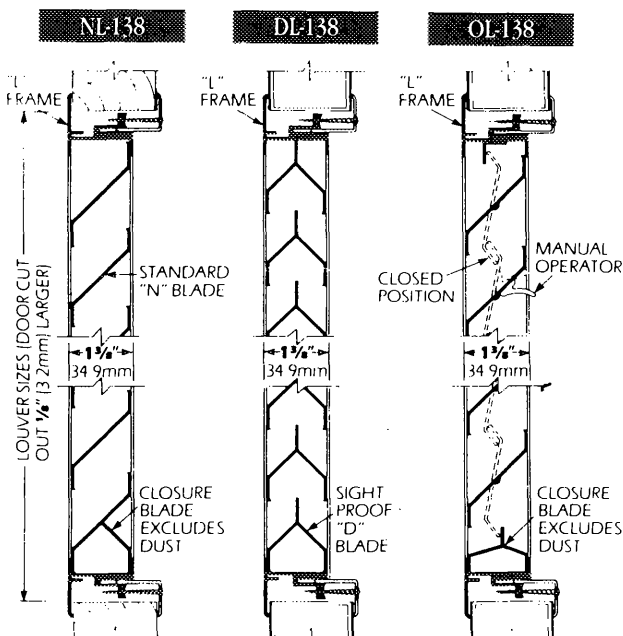
MODEL #	WIDTH* OVERALL	HEIGHT* OVERALL	FREE AREA SQ. IN.
11 EX	8	2 1/2	5.88
21 EX	16 3/8		11.76
31 EX	24 3/4		17.64
41 EX	33		23.52
12 EX	8	5	17.20
22 EX	16 3/8		34.40
32 EX	24 3/4		51.60
42 EX	33		68.80
52 EX	41 1/2		86.00
62 EX	50		103.20
13 EX	8	8 1/16	30.10
23 EX	16 3/8		60.20
33 EX	24 3/4		90.30
43 EX	33		120.40
53 EX	41 1/2		150.50
63 EX	50		180.60

DUAL FACE BLOCK VENTS

4" MODELS (3 5/8" DEPTH)	6" MODELS (5 5/8" DEPTH)	8" MODELS (7 5/8" DEPTH)	WIDTH* OVERALL	HEIGHT* OVERALL	FREE AREA SQ. IN.
411	611	811	15 5/8	7 13/16	60
421	621	821	31 5/8	7 13/16	120
431	631	831	47 5/8	7 13/16	180
412	612	812	15 5/8	15 11/16	120
422	622	822	31 5/8	15 11/16	240
432	632	832	47 5/8	15 11/16	360
413	613	813	15 5/8	23 9/16	180
423	623	823	31 5/8	23 9/16	360
433	633	833	47 5/8	23 9/16	540

*Add minimum of 1/8" to width and height of opening if vents are to be set into openings are prepared

MODELS



BRICK/BLOCK VENTS & RIBBON LOUVERS

- For intake and exhaust applications where height restrictions prevent the use of standard louvers
- Higher free areas than 4" and 6" deep louvers twice their size
- Continuous lengths up to 20'
- Load bearing units capable of supporting 11,000 lbs. per lineal foot

Suggested Specifications:

General: Furnish and install where indicated on the drawings extruded aluminum Brick Vents or Block Vents Model 22EX (or other model) as manufactured by Construction Specialties, Inc.

Material: All vents to be fabricated from extruded aluminum sections 6063-T5 alloy, minimum .125" (3.18mm) thick, with 1/4" (6.35mm) structural ribs. A die-formed 7 x 7 mesh, .028" (0.71mm) diameter wire aluminum insect screen is to be mechanically secured on interior face of vent.

Finish: (See back cover for specifications.)

DOOR LOUVERS

- For use with any standard wood, hollow metal or plastic laminate door
- Standard sightproof, sound absorbent and operating models available
- Two piece design offers ease of installation

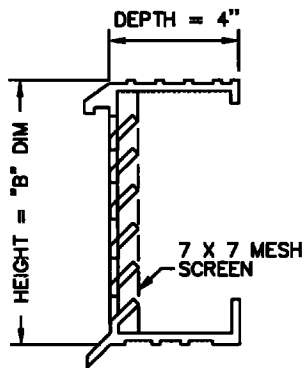
Suggested Specifications:

General: Furnish and install as shown on the drawings Door Louver Model NL-138 (or other) as manufactured by Construction Specialties, Inc.

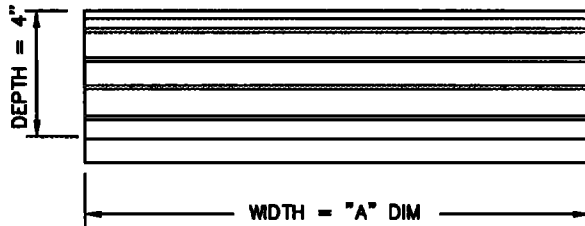
Material: Frames, blades and trim members to be 6063-T5 alloy 0.050" (1.27mm) thick. A separate adjustable trim member shall be supplied to securely and neatly clamp louver in opening. Interior trim frame to be secured by counter-sunk Jackson head screws. All frames and trim members to be mitered at corners and rigidly secured by corner brackets. Mitered frames are adjustable for 1 3/8" (34.9mm) through 2" (50.8mm) doors. Fasteners to be aluminum or stainless steel. Louvers to have framed 1/2" mesh removable mill finish aluminum bird screens.

Finish: (See back cover for specifications.)

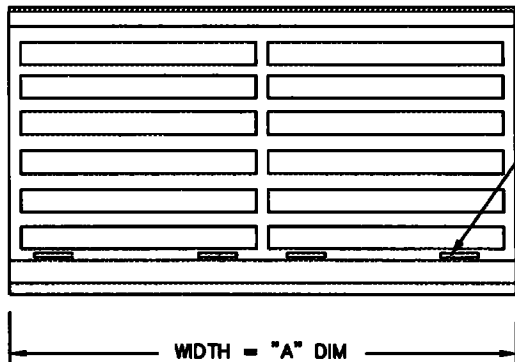
BRICK VENT



VERTICAL SECTION



PLAN VIEW



FRONT ELEVATION

FINISHES

- STANDARD MILL
- DURACOLOR 400
- KYNAR 500
- (1) C/S STANDARD COLORS
- CUSTOM COLOR, C/S REQUIRES A COLOR CHIP FOR MATCHING
- ARCHITECTURAL CLASS I (MED OR DARK) BRONZE ANODIC COATING
- 204-R1 CLEAR ANODIZE
- OTHER _____

C/S EXTRUDED ALUMINUM BRICK VENT TO BE FABRICATED FROM 6063-T5 ALLOY, MINIMUM .125" THICK, WITH .25" STRUCTURAL RIBS.

MARK	TYPE	QTY.	"A" DIM WIDTH	"B" DIM HEIGHT	LOCATION	REMARKS
						CKD. BY:
Construction Specialties, Inc. 49 Meeker Avenue Cranford, New Jersey 07016 (908) 272-5200 Fax (908) 272-6038					PROJECT:	BY:
					CUSTOMER:	DATE:
					ARCH'T:	DWG. NO:
					AGENT:	SHEET OF

