

# INSTALLATION INSTRUCTIONS FOR ARCHITECTURAL LINE ASSEMBLED LOUVERS

## MODELS

4085, 4105, 4115, 4125, 4135

6085, 6105, 6115, 6125, 6135

- READ THESE INSTRUCTIONS COMPLETELY BEFORE STARTING INSTALLATION.
- USE THESE INSTRUCTIONS IN CONJUNCTION WITH C/S SHOP DRAWINGS



**Construction Specialties™**

(800) 526-6930 • Fax (908) 272-6038 • [www.c-sgroup.com](http://www.c-sgroup.com)

**CONSTRUCTION SPECIALTIES, INC.**

49 Meeker Avenue  
Cranford, New Jersey 07016

107 Johnson Boulevard  
Del Rio, Texas 78840

*Creating products that make buildings better*

## STEP-1

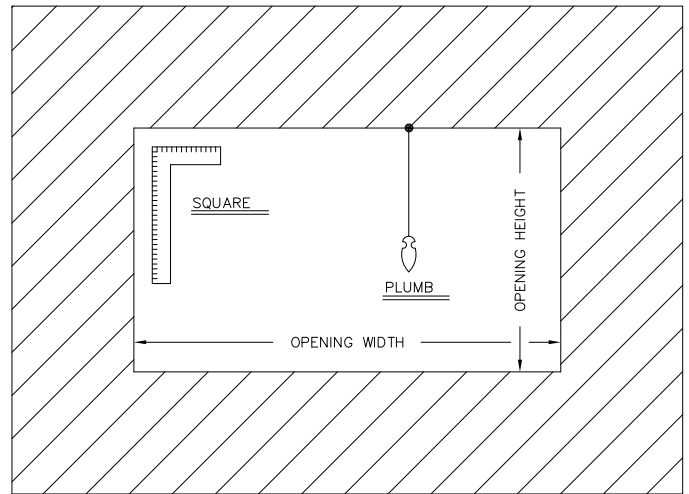
### PREPARATION

1. TO BEGIN INSTALLATION OF FACTORY ASSEMBLED LOUVERS YOU MUST FIRST BE IN RECEIPT OF THE SHIPMENTS PACKING LIST, AND SHOP DRAWINGS.
2. LOCATE ALL CRATES, BOXES, CARTONS, ETC...
3. INDIVIDUAL LOUVER SECTIONS ARE ALSO MARKED AT FAR RIGHT ON THE PACKING LIST AS TO THEIR CRATE, CARTON, BOX, ETC...
4. START WITH THE FIRST LOUVER. REMOVE AND IDENTIFY THE PARTS FROM APPROPRIATE PACKAGES FOR THAT LOUVER. CHECK FOR CORRECT QUANTITIES FOR EACH ACCORDING TO PACKING LIST.
5. AFTER ALL PARTS ARE SEPARATED AND IDENTIFIED BY LOUVER NUMBER AND IT IS DETERMINED THAT NO PARTS ARE MISSING, PROCEED TO MOVE THESE GROUPS TO THEIR DESIGNATED OPENINGS.
6. IF THERE ARE MISSING PARTS, COMPONENTS OR HARDWARE, PLEASE NOTIFY THE FACTORY IN DEL RIO, TX (830) 774-0151.

## STEP-2

### PREPARATION

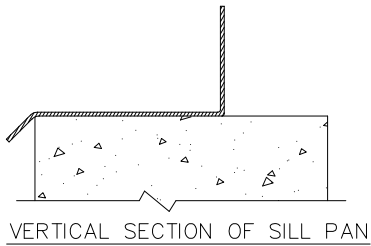
1. INSPECT OPENINGS FOR DAMAGE THAT MAY PREVENT INSTALLATION OF LOUVERS, OR MATERIALS PLACED IN OPENINGS BY OTHER TRADES. REPAIR OPENINGS OR REMOVE OBSTRUCTION AS REQUIRED.
2. BE SURE OPENING IS SQUARE AND PLUMB AS WELL AS MATCHING OPENING SIZES SHOWN ON THE SHOP DRAWINGS. (SEE DIAGRAM BELOW)



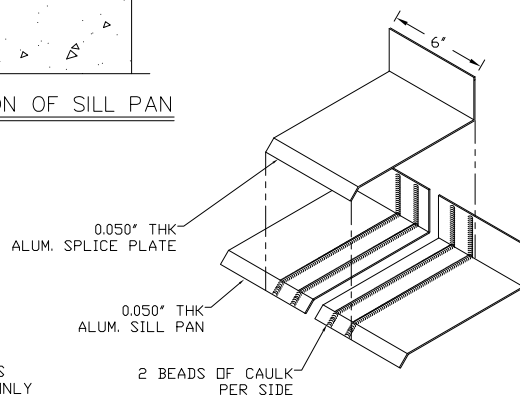
## STEP-3

### INSTALLING SILL EXTENSION

1. LOCATE SILL EXTENSION IF SPECIFIED ON SHOP DRAWINGS.
2. APPLY CAULK (NOT BY C/S) TO SILL OF OPENING AND SET SILL EXTENSION IN CAULK.



VERTICAL SECTION OF SILL PAN



**NOTE:**  
SPLICE PAN SECTIONS  
BETWEEN MULLIONS ONLY

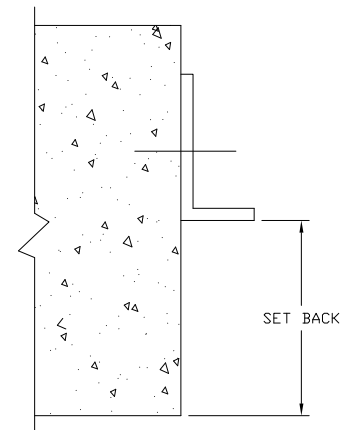
2 BEADS OF CAULK  
PER SIDE

3. IF THE SILL PAN NEEDS TO BE SPLICED, LEAVE A 1/4" GAP BETWEEN SECTIONS FOR EXPANSION AND CONTRACTION
4. APPLY CAULK (NOT BY C/S) TO EDGES OF SILL PAN AND FIRMLY PRESS THE SPLICE PLATE ON THE GAP AS SHOWN

## STEP-4

### ATTACHING CLIP ANGLES TO WALL

1. DRILL ALL HOLES IN CLIP ANGLE FOR ANCHORS TO WALL. (ANCHORS NOT BY C/S)
2. REFER TO SHOP DRAWINGS TO DETERMINE SET BACK OF CLIP ANGLES ON JAMB IN RELATION TO WALL.
3. MEASURE SET BACK DISTANCE OF CLIP ANGLES FROM WALL, AND DRILL HOLES INTO WALL.
4. ATTACH CLIP ANGLES TO WALL WITH ANCHORS. (NOT SUPPLIED BY C/S.) (SEE DIAGRAM BELOW)

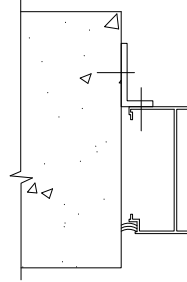


PLAN VIEW OF WALL

## STEP-5

### INSTALLING A SINGLE SECTION LOUVER

1. PLACE LOUVER SECTION INTO OPENING.
2. SHIM AROUND PERIMETER OF LOUVER TO PROVIDE FOR PROPER CLEARANCES AS SHOWN IN SHOP DRAWINGS.
3. ONCE PROPER CLEARANCE SPECIFICATIONS ARE MET, USE HOLES PROVIDED IN CLIP ANGLE TO DRILL PILOT HOLES IN JAMB. FASTEN JAMB TO CLIP ANGLES WITH FASTENERS AS PROVIDED BY C/S.

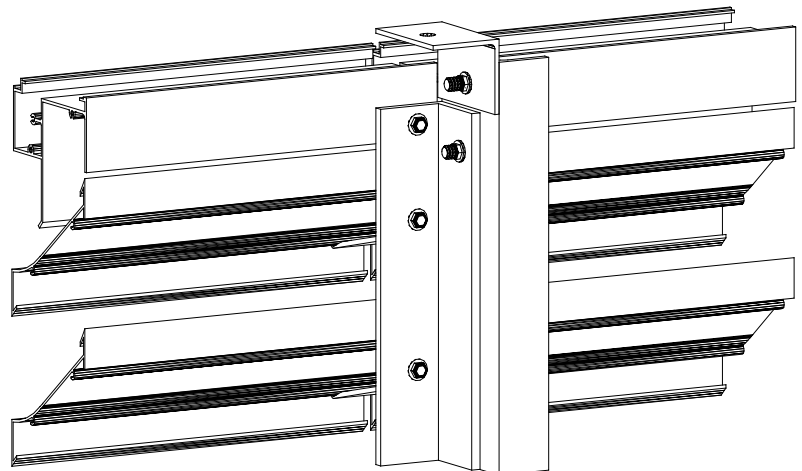


PLAN VIEW OF JAMBS

## STEP-6

### INSTALLING MULTI-SECTION LOUVERS

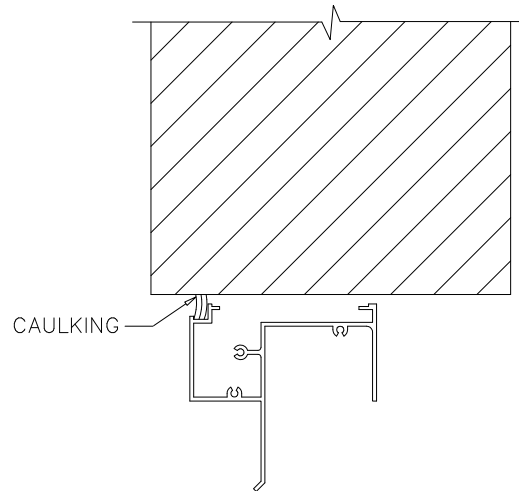
1. IF LOUVER IS A MULTI-SECTION LOUVER INSTALL SECTION #1 (FAR LEFT SECTION AS VIEWED FROM EXTERIOR) AS NOTED IN STEP 5. LOCATE THE NEXT LOUVER SECTION. MEASURE SET BACK OF CLIP ANGLE AT TOP AND BOTTOM OF SUPPORT, DRILL HOLES AND ATTACH WITH ANCHORS. (NOT BY C/S)
2. PUT SECTION IN OPENING AND BOLT ANGLE TO SUPPORT CHANNEL. INSERT SHIMS UNDER LOUVER SECTION TO PROVIDE FOR CLEARANCE AS SHOWN IN SHOP DRAWINGS. MAKE SURE SECOND SECTION ALIGNS WITH FIRST SECTION.
3. USE HOLES PROVIDED IN CLIP ANGLE TO DRILL PILOT HOLES IN SUPPORT CHANNEL. ATTACH CLIP ANGLE TO CHANNEL USING BOLTS PROVIDED BY C/S. REFER TO C/S SHOP DRAWINGS FOR DETAILS.
4. CONTINUE PROCESS UNTIL ALL SECTIONS ARE INSTALLED.



## STEP-7

### CAULKING

1. IF REQUIRED CAULK AROUND ENTIRE PERIMETER OF LOUVER (SEE DIAGRAM BELOW) (CAULKING NOT SUPPLIED BY C/S)



FOR PROBLEMS WITH MATERIAL SIZES, QUANTITIES, OR ERECTION,  
NOTIFY: CONSTRUCTION SPECIALTIES, INC.,  
DEL RIO, TX PRODUCTION DEPARTMENT, IMMEDIATELY.  
107 JOHNSON BLVD. DEL RIO, TX 78840  
TELEPHONE: (830) 774-0151