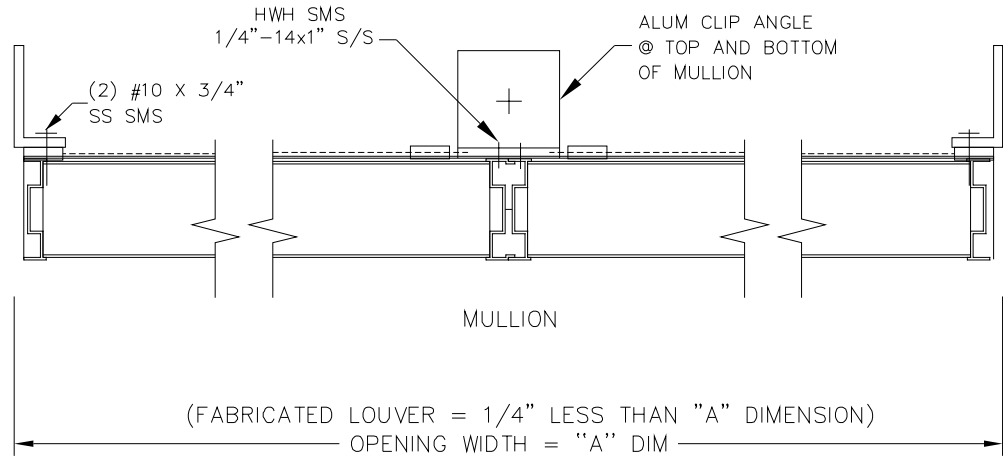


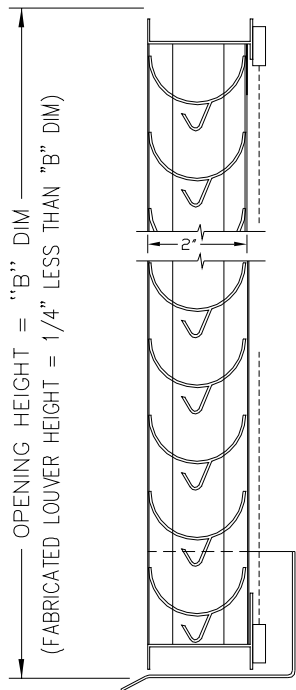
STORM RESISTANT LOUVERS – MODEL RS-2300

LOUVERS ARE FURNISHED WITH 2" X 1" X 1/8" ALUM CLIP ANGLES @ 24" O.C.

PERIMETER MOUNTING HARDWARE NOT BY C/S



PLAN VIEW



VERTICAL SECTION

SCREENS

- SCREEN NOT REQUIRED
- SCREEN REQUIRED
- INTERIOR MOUNTED
- EXTERIOR MOUNTED
- BIRDSCREEN (1/2" MESH)
- INSECT SCREEN (18x16 MESH)

FINISHES

- STANDARD MILL
- FLUOROPOLYMER POWDER COAT
 - (1) OF C/S STD. COLORS
 - CUSTOM COLOR, C/S REQUIRES A COLOR CHIP FOR MATCHING
- ARCHITECTURAL CLASS I (DK. OR MED.) BRONZE ANODIC COATING
- 204-R1 CLEAR ANODIZE
- OTHER _____

C/S EXTRUDED ALUMINUM STORM RESISTANT DRAINABLE 2" DEEP LOUVER MODEL RS-2300. FRAME AND BLADES TO BE 6063-T5 ALLOY, WITH A MINIMUM THICKNESS OF .050" ALL FASTENERS TO BE STAINLESS STEEL.

UNSUPPORTED BLADE LENGTH = @ PSF.

MARK	QTY.	"A" DIM.	"B" DIM.	NUMBER OF SUPPORTS	NUMBER OF SPLICES	LOCATION	REMARKS
							CHECKED BY:

Construction Specialties, Inc.
 49 Meeker Avenue
 Cranford, New Jersey 07016
 (908) 272-5200
 Fax (908) 272-6038

PROJECT:
 CUSTOMER:
 ARCH'T:
 AGENT:

DRAWN BY:
 DATE:
 DWG. NO:
 SHEET OF