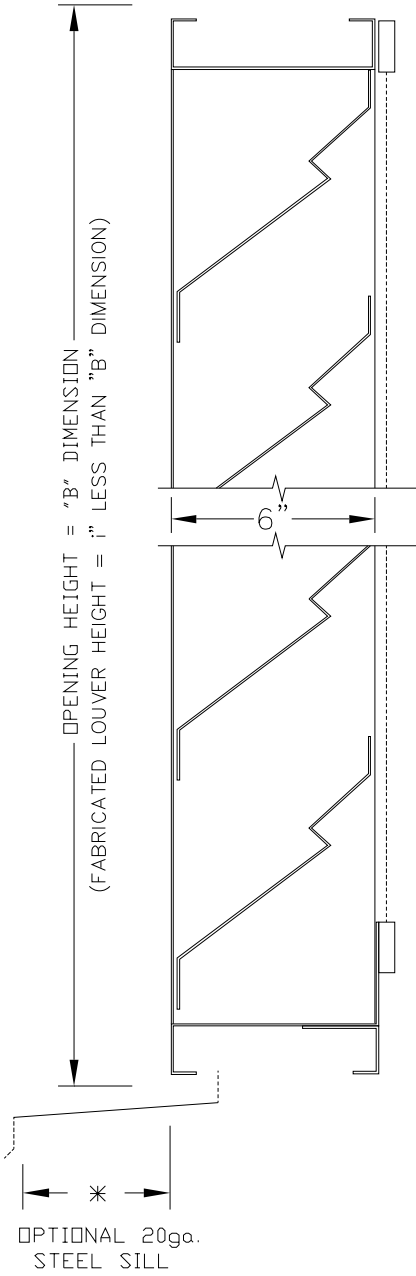
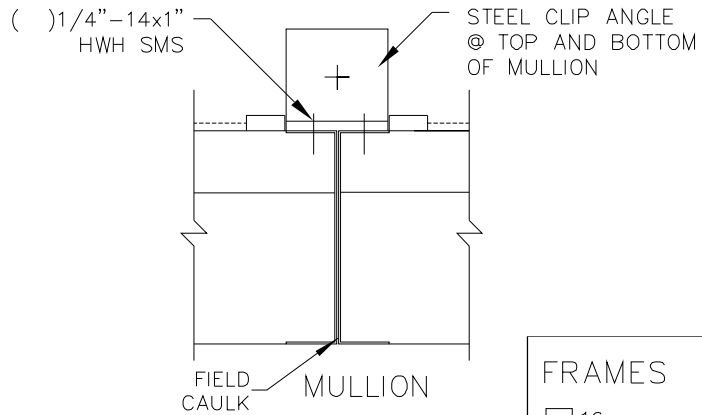
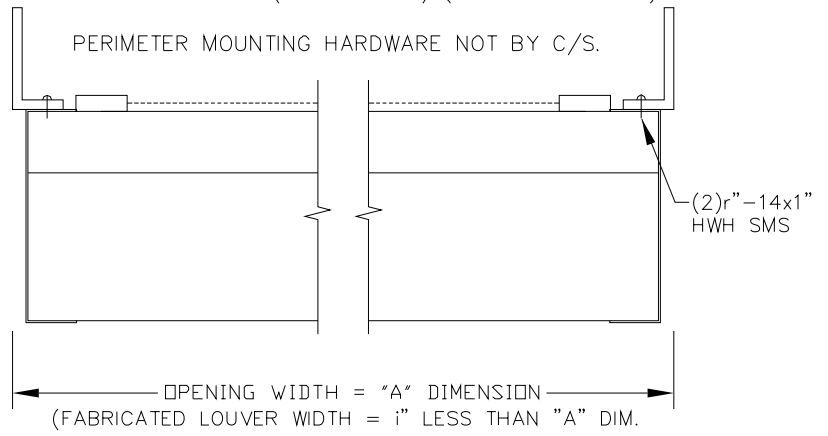


STEEL LOUVERS – MODEL GS-610

LOUVER FURNISHED WITH 2"x1"x16GA. STEEL CLIP ANGLES 24" O.C. (JAMBS ONLY) (MIN. 2 PER JAMB)



SCREENS

- SCREEN NOT REQUIRED
- SCREEN REQUIRED
- INTERIOR MOUNTED
- EXTERIOR MOUNTED
- BIRDSCREEN (i" MESH ALUM.)
- INSECT SCREEN (18x16 MESH ALUM.)

FRAMES	BLADES
<input type="checkbox"/> 16ga.	<input type="checkbox"/> 16ga.
<input type="checkbox"/> 18ga.	<input type="checkbox"/> 18ga.
<input type="checkbox"/> 20ga.	<input type="checkbox"/> 20ga.

FINISHES

- STANDARD GALVANNEALED
- FLUOROPOLYMER POWDER COAT

C/S FORMED FIXED STEP BLADE LOUVER MODEL GS-610. FRAMES AND BLADES TO BE FABRICATED FROM GALVANNEALED SHEET, THICKNESS AS SELECTED. UNLESS SPECIFIED ABOVE, STANDARD BLADE THICKNESS TO BE 18ga. AND STANDARD FRAME THICKNESS TO BE 20ga.

ALL WELDED CONSTRUCTION.

ALL FASTENERS TO BE STAINLESS STEEL

UN-SUPPORTED BLADE LENGTH = @ PSF

SILL EXTENSIONS

- * SETBACK DIM = 0"-3 i"
- * SETBACK DIM = 3s"-6"

MARK	QTY.	"A" DIM.	"B" DIM.	NUMBER OF MULLIONS	LOCATION	REMARKS
						CKD. BY:

Construction Specialties, Inc.
49 Meeker Avenue
Cranford, New Jersey 07016
(908) 272-5200
Fax (908) 272-6038

PROJECT:	DRAWN BY:
CUSTOMER:	DATE:
ARCH'T:	DWG. NO:
AGENT:	SHEET OF