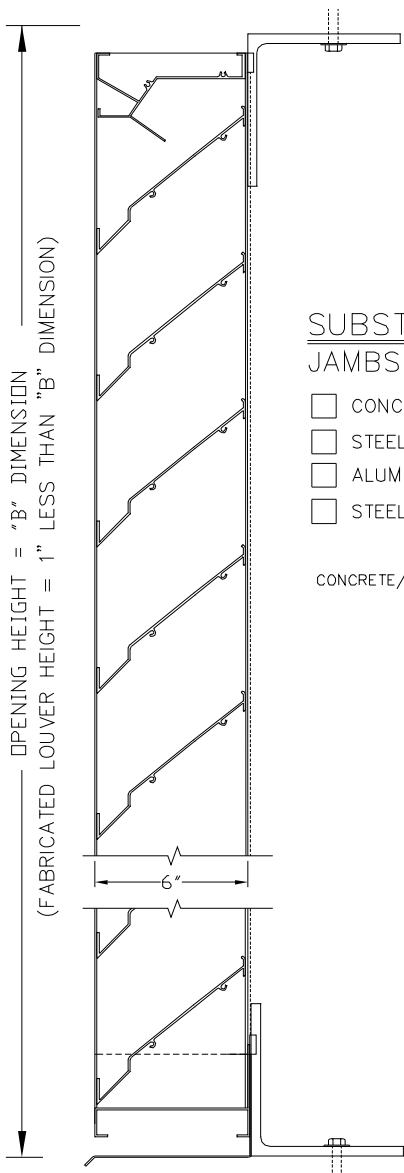
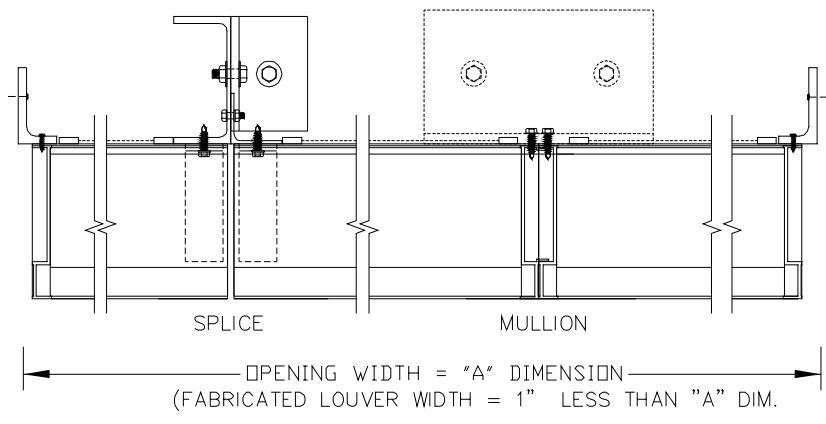


DADE COUNTY HURRICANE LOUVER – MODEL DC-6174



SECTION VIEW



PLAN VIEW

SUBSTRATE

JAMBS

- CONCRETE/CMU
- STEEL
- ALUMINUM THICKNESS _____
- STEEL STUD GAGE _____

HEAD

- CONCRETE/CMU
- STEEL
- ALUMINUM THICKNESS _____
- STEEL STUD GAGE _____

SILL

- CONCRETE/CMU
- STEEL
- ALUMINUM THICKNESS _____
- STEEL STUD GAGE _____

CONCRETE/CMU MINIMUM 3000 PSI

STEEL 3/16" THK MIN.

ALUMINUM 1/8" THK MIN.

STEEL STUD MIN 16 GAGE

SCREENS

- SCREEN NOT REQUIRED
- SCREEN REQUIRED
- INTERIOR MOUNTED
- EXTERIOR MOUNTED
- BIRDSCREEN-5/8" EXP. ALUM. MESH IN ALUMINUM FRAME. (MILL FINISH)
- INSECT SCREEN (18x16 MESH)

FINISHES

- STANDARD MILL
- FLUOROPOLYMER POWDER COAT
- (1) OF C/S STD. COLORS
- CUSTOM COLOR, C/S REQUIRES A COLOR CHIP FOR MATCHING
- ARCHITECTURAL CLASS I (DK. OR MED.) BRONZE ANODIC COATING
- 204-R1 CLEAR ANODIZE
- OTHER _____

C/S EXTRUDED ALUM DADE COUNTY HURRICANE LOUVER MODEL DC-6174. FRAMES TO BE FABRICATED FROM 6063-T6 ALLOY, WITH REINFORCING BOSSES AND A NOMINAL .081" MATERIAL THICKNESS. ALL FASTENERS TO BE STAINLESS STEEL.

WIND LOAD = PSF

MARK	QTY.	"A" DIM.	"B" DIM.	NUMBER OF MULLIONS	LOCATION	REMARKS

Construction Specialties, Inc. 49 Meeker Avenue Cranford, New Jersey 07016 (908) 272-5200 Fax (908) 272-6038	PROJECT:	DRAWN BY:	CKD. BY:
	CUSTOMER:	DATE:	
	ARCH'T:	DWG. NO.:	
	AGENT:	SHEET 1 OF 1	