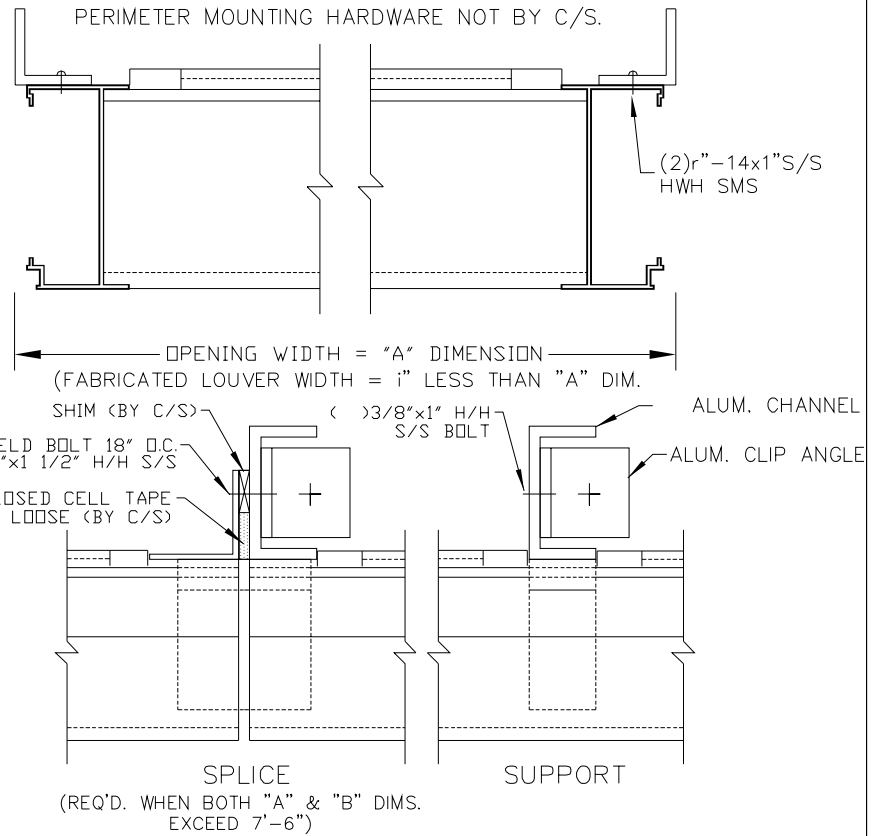
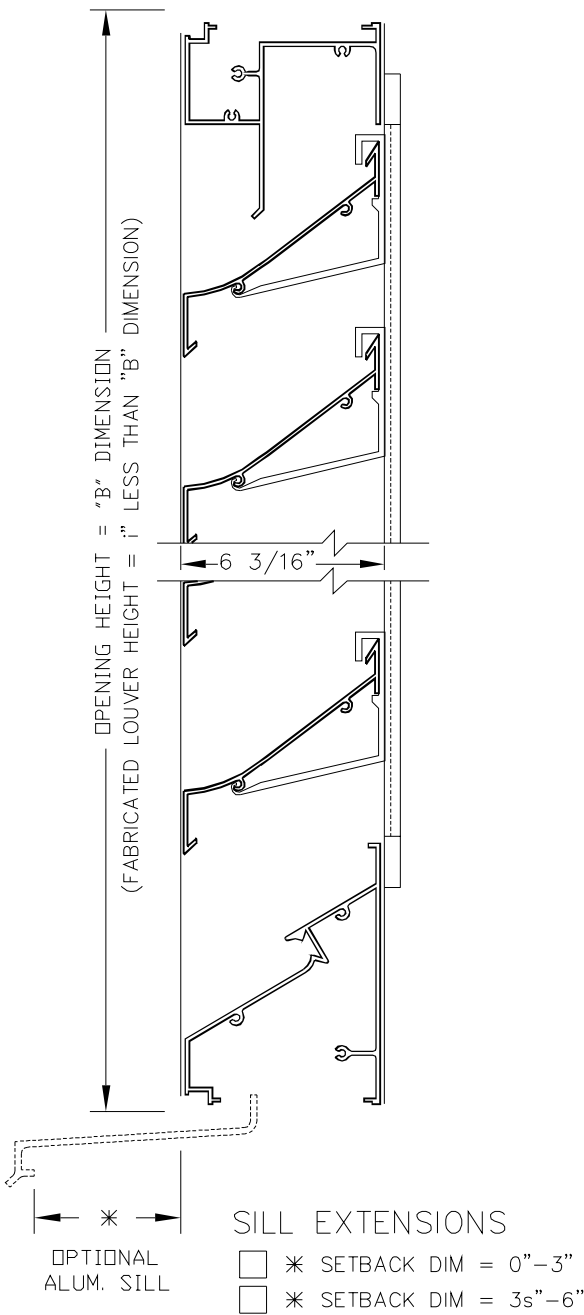


HIGH PERFORMANCE ARCHITECTURAL LINE LOUVERS – MODEL A6085

LOUVER FURNISHED WITH 1"X1"X.14" ALUM.
CLIP ANGLES 24" O.C. (JAMBS ONLY) (MIN. 2 PER JAMB)



SCREENS

- SCREEN NOT REQUIRED
- SCREEN REQUIRED
- INTERIOR MOUNTED
- EXTERIOR MOUNTED
- BIRDSCREEN (1/2" MESH)
- INSECT SCREEN (18x16 MESH)

FINISHES

- STANDARD MILL
- FLUOROPOLYMER POWDER COAT
- (1) OF C/S STD. COLORS
- CUSTOM COLOR, C/S REQUIRES A COLOR CHIP FOR MATCHING
- ARCHITECTURAL CLASS I (DK. OR MED.) BRONZE ANODIC COATING
- 204-R1 CLEAR ANODIZE
- OTHER _____

C/S EXTRUDED ALUMINUM FIXED HIGH PERFORMANCE ARCH. LINE LOUVER MODEL A6085, FRAMES AND BLADES TO BE FABRICATED FROM 6063-T5 ALLOY, WITH REINFORCING BOSSES AND A NOMINAL .081" MATERIAL THICKNESS.

ALL FASTENERS TO BE STAINLESS STEEL.

UNSUPPORTED BLADE LENGTH= @ PSF.

MARK	QTY.	"A" DIM.	"B" DIM.	NUMBER OF SPLICES	NUMBER OF SUPPORTS	LOCATION	REMARKS
							CKD. BY:

Construction Specialties, Inc.
49 Meeker Avenue
Cranford, New Jersey 07016
(908) 272-5200
Fax (908) 272-6038

PROJECT:

CUSTOMER:

ARCH'T:

AGENT:

DRAWN BY:

DATE:

DWG. NO:

SHEET OF