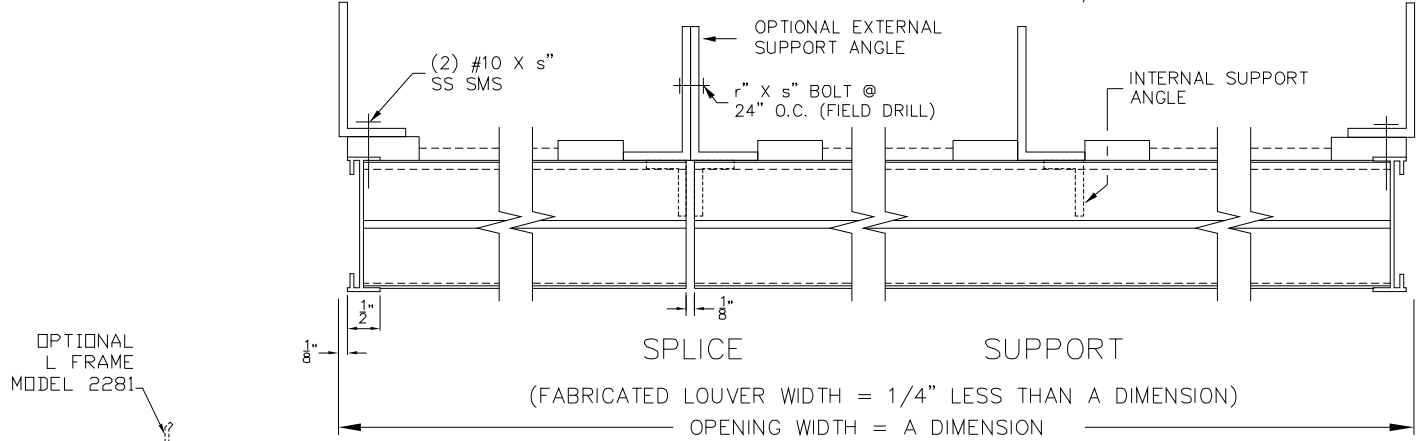


# HORIZONTAL LINE THIN-LINE LOUVERS 2282/2281

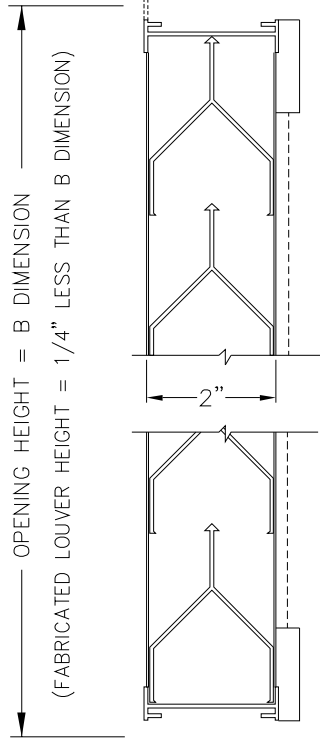
LOUVERS ARE FURNISHED WITH A 2" X 1" X w" ALUM CLIP ANGLES @ 24" O.C.

PERIMETER MOUNTING HARDWARE NOT BY C/S.



PLAN VIEW

OPTIONAL L FRAME MODEL 2281



VERTICAL SECTION

### SCREENS

- SCREEN NOT REQUIRED
- SCREEN REQUIRED
- INTERIOR MOUNTED
- EXTERIOR MOUNTED
- BIRDSCREEN (1/2" MESH)
- INSECT SCREEN (18x16 MESH)

### FINISHES

- STANDARD MILL
- FLUOROPOLYMER POWDER COAT
  - (1) OF C/S STD. COLORS
  - CUSTOM COLOR, C/S REQUIRES A COLOR CHIP FOR MATCHING
- ARCHITECTURAL CLASS I (DK. OR MED.) BRONZE ANODIC COATING
- 204-R1 CLEAR ANODIZE
- OTHER \_\_\_\_\_

C/S EXTRUDED ALUMINUM HORIZONTAL THINLINE LOUVER MODEL 2282 WITH 'A' FRAMES & BLADES TO BE FABRICATED FROM .064" THICK ALUMINUM SECTIONS, 6063-T5 ALLOY. ALL FASTENERS TO BE STAINLESS STEEL.

UNSUPPORTED BLADE LENGTH = @ PSF.

MARK	QTY.	"A" DIM.	"B" DIM.	NUMBER OF INT. SUPPS	NUMBER OF EXT. SUPPS	NUMBER OF SPLICES	LOCATION	REMARKS
								CHECKED BY:

Construction Specialties, Inc.  
 49 Meeker Avenue  
 Cranford, New Jersey 07016  
 (908) 272-5200  
 Fax (908) 272-6038

PROJECT:	DRAWN
CUSTOMER:	DATE:
ARCH'T:	DWG. NO:
AGENT:	SHEET OF