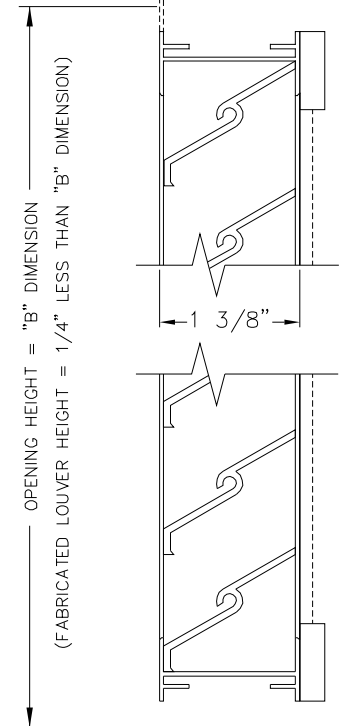
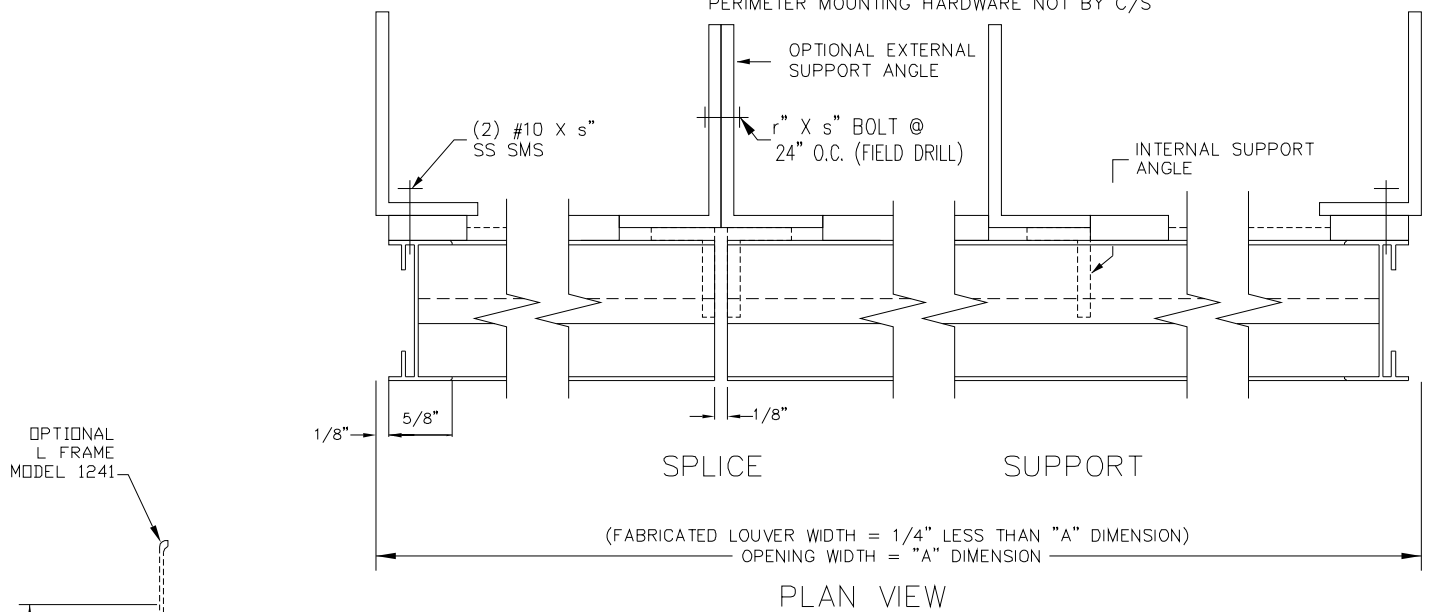


AIR CONDITIONING LOUVERS – 30° BLADE 1242/1241

LOUVERS ARE FURNISHED WITH 2" X 1" X w" ALUM
CLIP ANGLES @ 24" O.C.

PERIMETER MOUNTING HARDWARE NOT BY C/S



SCREENS

- SCREEN NOT REQUIRED
- SCREEN REQUIRED
- INTERIOR MOUNTED
- EXTERIOR MOUNTED
- BIRDSCREEN (1/2" MESH)
- INSECT SCREEN (18x16 MESH)

FINISHES

- STANDARD MILL
- FLUOROPOLYMER POWDER COAT
 - (1) OF C/S STD. COLORS
 - CUSTOM COLOR, C/S REQUIRES A COLOR CHIP FOR MATCHING
- ARCHITECTURAL CLASS I (DK. OR MED.) BRONZE ANODIC COATING
- 204-R1 CLEAR ANODIZE
- OTHER _____

C/S EXTRUDED ALUMINUM THINLINE LOUVER MODEL 1242 WITH 30° BLADES AND "A" FRAME. FRAME AND BLADES TO BE 6063-T5 ALLOY, WITH A MINIMUM THICKNESS OF .064" ALL FASTENERS TO BE STAINLESS STEEL.

VERTICAL SECTION

UNSUPPORTED BLADE LENGTH = @ PSF.

MARK	QTY.	"A" DIM.	"B" DIM.	NUMBER OF INT. SUPPS	NUMBER OF EXT. SUPPS	NUMBER OF SPLICES	LOCATION	REMARKS
								CHECKED BY:

Construction Specialties, Inc.
49 Meeker Avenue
Cranford, New Jersey 07016
(908) 272-5200
Fax (908) 272-6038

PROJECT:	BY:
CUSTOMER:	DATE:
ARCH'T:	DWG. NO:
AGENT:	SHEET OF