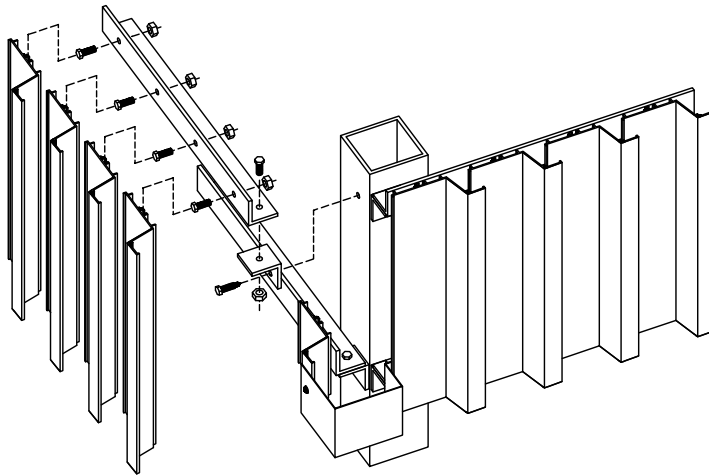


## VERT-A-CADE 1100



THIS DOCUMENT IS THE PROPERTY OF CONSTRUCTION SPECIALTIES, INC. AND CONTAINS CONFIDENTIAL PROPRIETARY INFORMATION THAT IS NOT TO BE DISCLOSED TO THIRD PARTIES AND IS NOT TO BE USED WITHOUT APPROVAL IN WRITING FROM CONSTRUCTION SPECIALTIES, INC.

Revisions				Drawn By	Job:
No.		Date	By	Checked By	Contr.
				Date Approv	Arch't.
				Scale	Agent:
				Date	CONSTRUCTION SPECIALTIES, INC. 49 MEEKER AVENUE, CRANFORD, NEW JERSEY
					Sheet Of
					Drawing No.