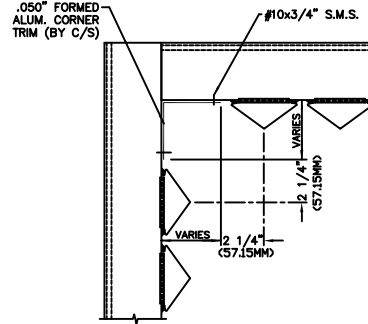
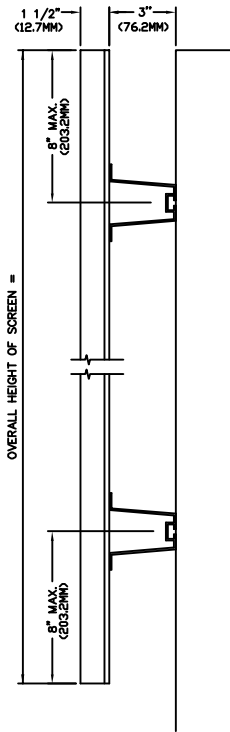


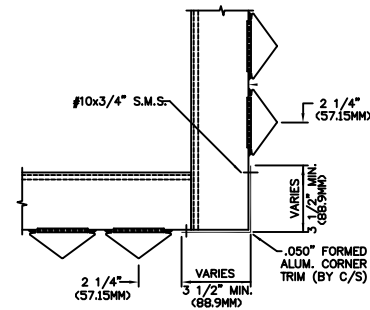
TYP SPLICE & BLADE SPACING DETAIL  
RV-20



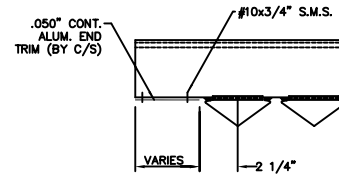
TYP. INSIDE CORNER DETAIL  
RV-20



VERTICAL SECTION



TYP. OUTSIDE CORNER DETAIL



TYP. END DETAIL

**GENERAL NOTES:**

C/S ECONOSCREEN MODEL RV-20. BLADES ARE FABRICATED FROM 5056-H19 ALLOY, .020" THICK W/HAT-RUNNERS TO BE EXTRUDED ALUMINUM MIN. .081" THICK. V1 GRIP PLASTIC BLADE LOCKS SHALL BE SUPPLIED TO INSURE POSITIVE MECHANICAL LOCKING OF BLADES TO THE SUPPORT RUNNERS.

**GENERAL NOTES:**

C/S ECONOSCREEN MODEL RV-20. BLADES ARE FABRICATED FROM 5056-H19 ALLOY, .020" THICK W/HAT-RUNNERS TO BE EXTRUDED ALUMINUM MIN. .081" THICK. V1 GRIP PLASTIC BLADE LOCKS SHALL BE SUPPLIED TO INSURE POSITIVE MECHANICAL LOCKING OF BLADES TO THE SUPPORT RUNNERS.

THIS DOCUMENT IS THE PROPERTY OF CONSTRUCTION SPECIALTIES, INC. AND CONTAINS CONFIDENTIAL PROPRIETARY INFORMATION THAT IS NOT TO BE DISCLOSED TO THIRD PARTIES AND IS NOT TO BE USED WITHOUT APPROVAL IN WRITING FROM CONSTRUCTION SPECIALTIES, INC.

Revisions			Drawn By	Job
No.	Date	By	Checked By	Contr.
			Date Approv	Arch't.
			Scale	Agent:
			Date	Sheet Bf
				Drawing No.
				CONSTRUCTION SPECIALTIES, INC. 49 MEDKER AVENUE, CRANFORD, NEW JERSEY