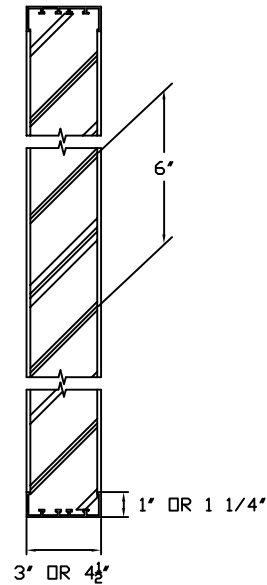
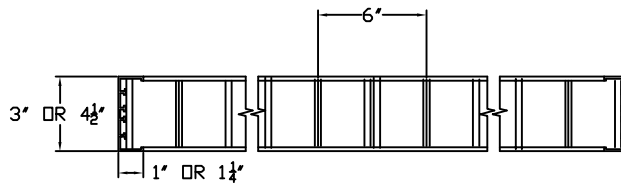
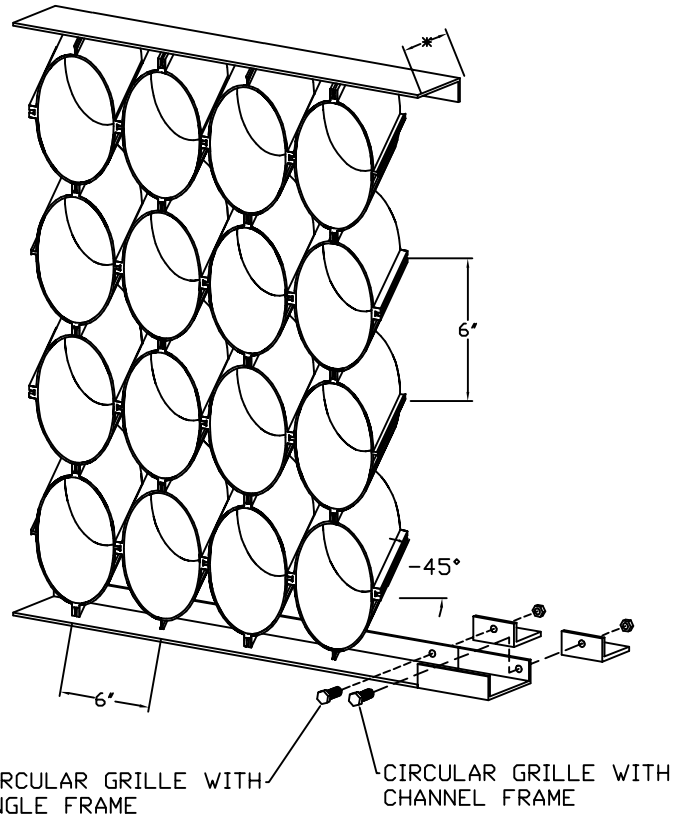


CIRCULAR

* DEPTH OF GRILLE IS CONTROLLED BY SEVERAL FACTORS (WIND LOAD, SPAN, SLOPE OF GRILLE,.....).



VERTICAL



PLAN VIEW

Revisions				Drawn By	Job	
No.		Date	By		Contr.:	
					Arch't.:	
					Agent:	
				Scale	Sheet BF	
				Date	CONSTRUCTION SPECIALTIES, INC. 49 MEYER AVENUE, CRANFORD, NEW JERSEY	
					Drawing No.	

THIS DOCUMENT IS THE PROPERTY OF CONSTRUCTION SPECIALTIES, INC. AND CONTAINS CONFIDENTIAL PROPRIETARY INFORMATION THAT IS NOT TO BE DISCLOSED TO THIRD PARTIES AND IS NOT TO BE USED WITHOUT APPROVAL IN WRITING FROM CONSTRUCTION SPECIALTIES, INC.