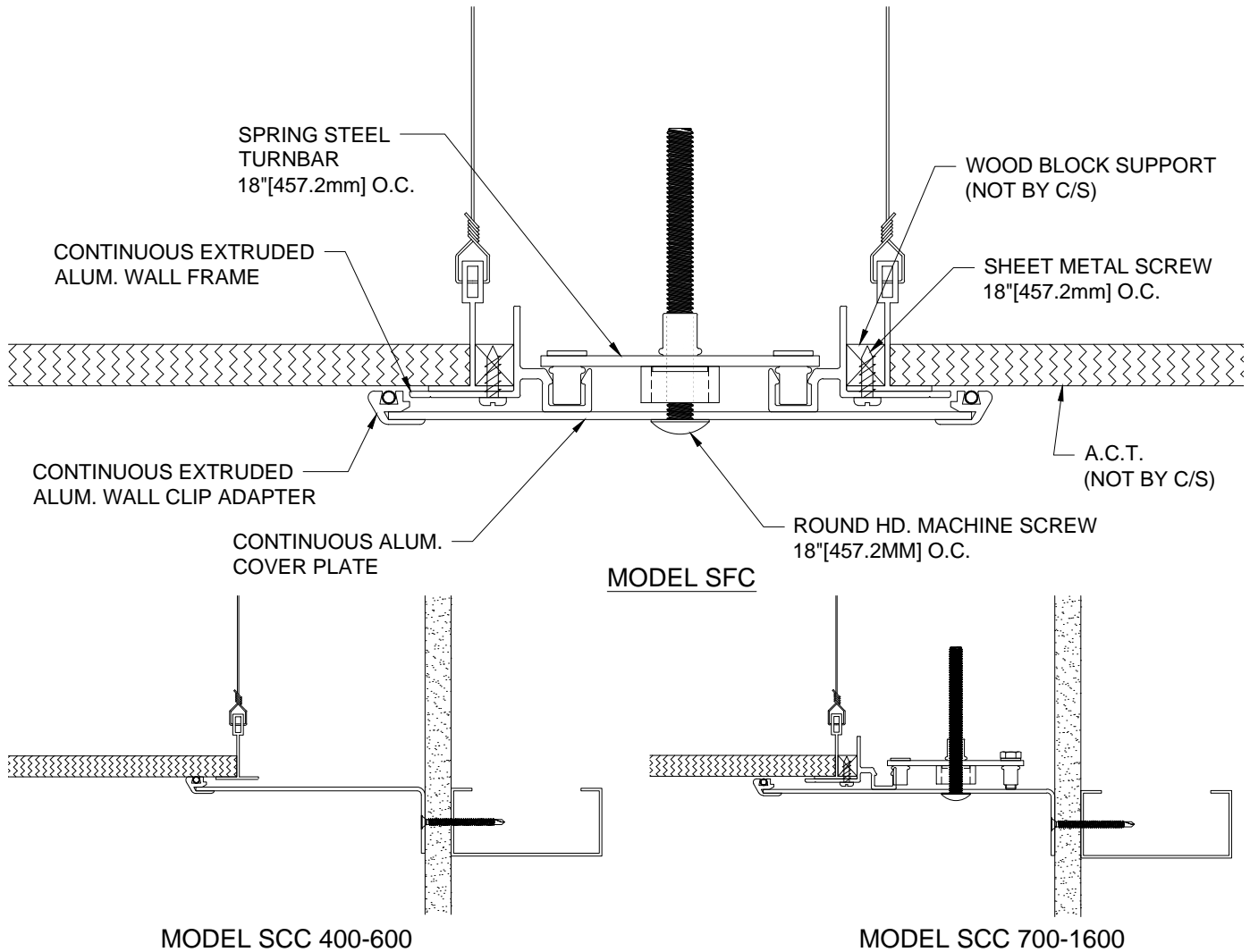


# MODEL SFC/SCC 400-1600 INSTALLATION INSTRUCTIONS



Prior to the commencement of installation, all materials **MUST** be inspected for damage. Any damage must be reported to CONSTRUCTION SPECIALTIES, INC., as soon as possible, so that replacement materials may be furnished without delay.

All work must be completed as per Architect's Approved "Shop Drawings", and in accordance with these Installation Instructions. When installation is complete, all materials must be protected from damage until the Architect's FINAL INSPECTION.

All materials should be arranged in the order that they are to be installed. All hardware required for each portion of the work should be placed with the appropriate materials.

Please review all Approved Shop Drawings and this document to familiarize yourself with all the details and components of this assembly.

## **IMPORTANT:**

**READ THROUGH ALL INSTRUCTIONS PRIOR TO STARTING INSTALLATION**

12/13/11



**Construction Specialties™**

6696 Route 405 Highway, Muncy PA 17756

This document is the property of Construction Specialties, Inc. and contains CONFIDENTIAL PROPRIETARY INFORMATION that is not to be disclosed to third parties and is not to be used without approval in writing from Construction Specialties, Inc.

Notes:

Before beginning installation, review the architectural drawings and approved Construction Specialties Inc. shop drawings to familiarize yourself with the appropriate joint cover models and locations.

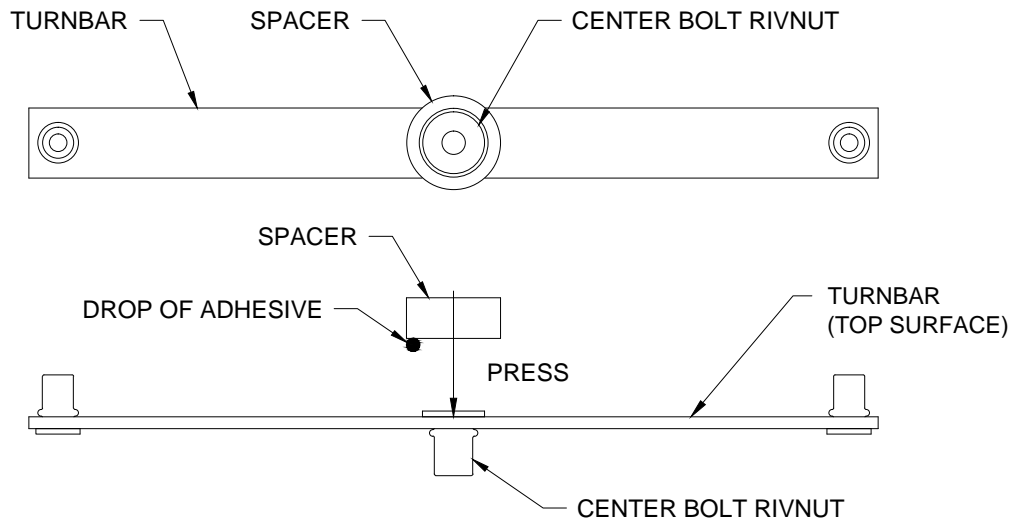
Check all of the joint cover components to confirm that the correct joint cover model and size have been received. Also, check for materials that may have been damaged during shipping. Report all incorrect and/or damaged components to C/S at 800-233-8493.

Refer to the architectural drawings and shop drawings for proper joint width and location.

Read through all the steps of these instructions prior to beginning work.

# STEP 1

## SPACER INSTALLATION



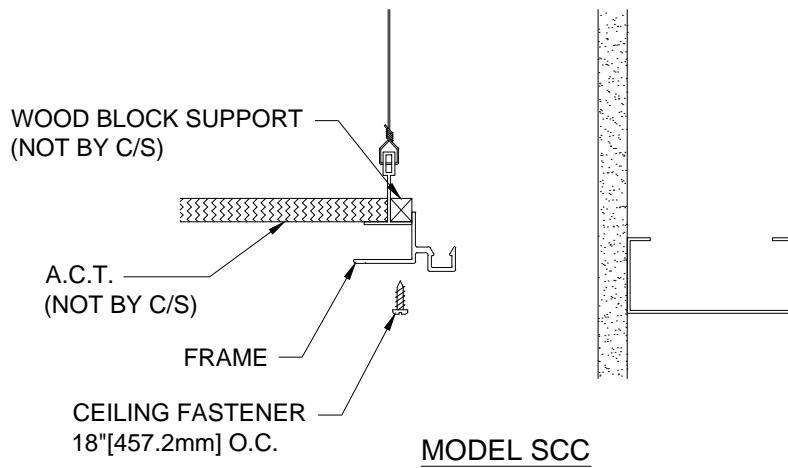
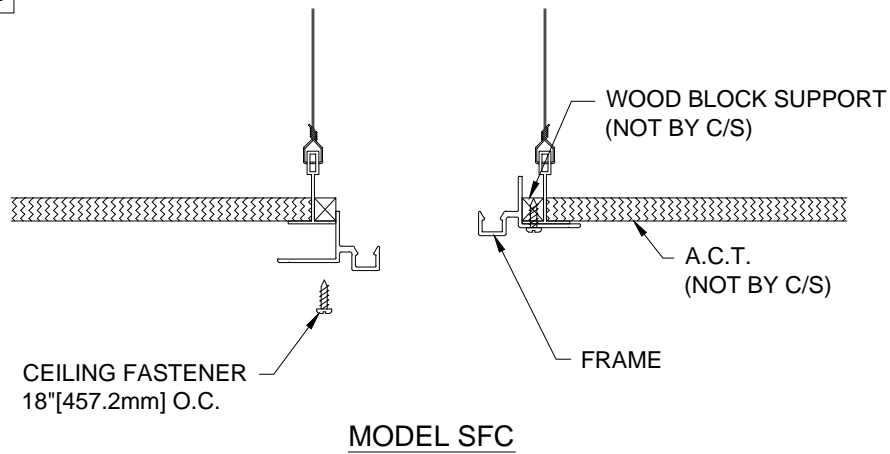
### Step 1:

- Notes:
- A Spacer must be placed between the Turnbar and the underside (or backside) of the Cover Plate. The Spacer is used to prevent excess bowing of the Turnbars when the center bolt is tightened. (Some bowing of the Turnbars is required to apply the holding force on the Cover Plate.)
  - Model SCC-400 through 600 does not require turnbar installation. Skip to Step 3; instructions at the bottom of the page.

- 1.1) Place a small drop of "super glue" adhesive (not supplied) onto one end of a Spacer.
- 1.2) Position the end of the Spacer with the adhesive against the top surface of the Turnbar, centered over the flat head portion of the Center Bolt Rivnut (see detail above).
- 1.3) Press firmly for a few seconds until the Spacer is bonded to the Turnbar.
- 1.4) Install the Turnbars as instructed.

# STEP 2

## FRAME INSTALLATION



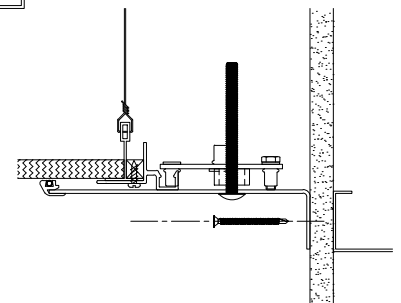
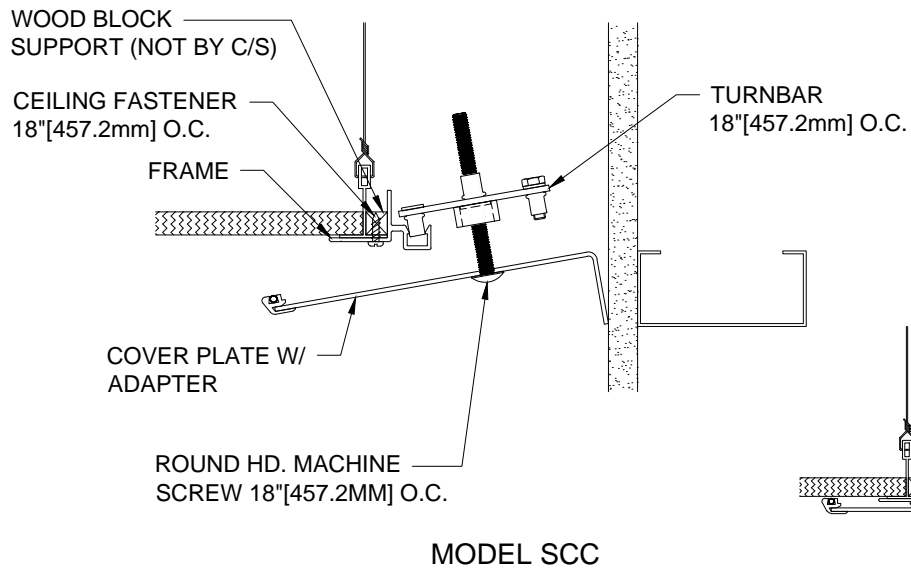
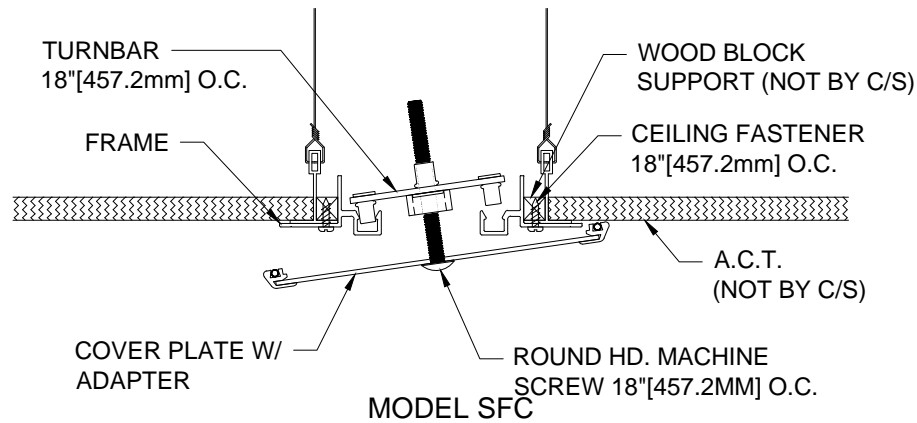
### Step 2:

**Note:** For Model SCC-400 through 600, does not require Frame installation. Skip to Step 3; instructions at the bottom of the page.

- 2.1) Begin installation of Frames by cutting the Frames to the required length.
- 2.2) Using the Frames as a template mark the location of the holes. If needed, remove the Frame and drill the holes for the C/S supplied wall fastener.
- 2.3) Anchor the Frames using the C/S supplied wall fasteners per approved shop drawings and in accordance with the manufacturer's guidelines.
- 2.4) Repeat this installation procedure for opposite side of the joint of model SFC and for any additional lengths of Frame.

# STEP 3

## TURNBAR/COVER PLATE INSTALLATION



### Step 3:

- 3.1) Prepare the Cover Plate for installation by first cutting the Plate to length as needed.
- 3.2) Attach a Turnbar to the backside of the Cover Plate at each hole location. (Note the orientation of the Turnbar in the detail above.) For now, only thread the screw approx. 1/4" into the Turnbars.
- 3.3) Place the Seismic Wall Cover/Turnbar Assembly against one side of the Seismic Expansion Joint at an angle that will allow hand penetration behind the Cover Plate. With the Cover Plate in this position, reach behind the Cover Plate and locate the pivot pin of end Turnbar into the pivot pin receivers of the Frame on each side of the joint (one side on Model SCC).
- 3.4) Slide a wedge block beneath the Cover Plate to hold the Turnbar securely into position.
- 3.5) Repeat this procedure with the opposite end Turnbar.
- 3.6) Locate each of the remaining Turnbars into position, then progressively tighten all machine screws until the Cover Plate is securely fastened onto the Frame system. **(Note: The Turnbars must be angled the same direction to allow for movement.)**

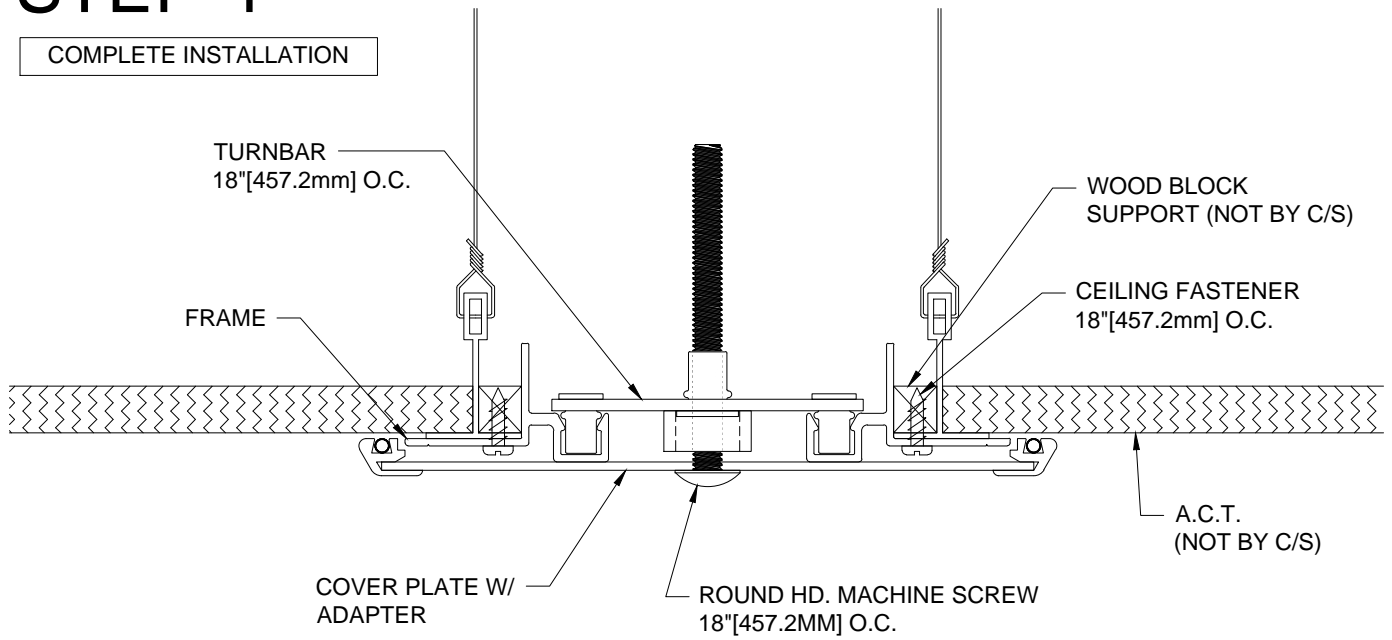
### Notes:

-SCC-400 through 600 does not require turnbar installation, only Plate installation is required.

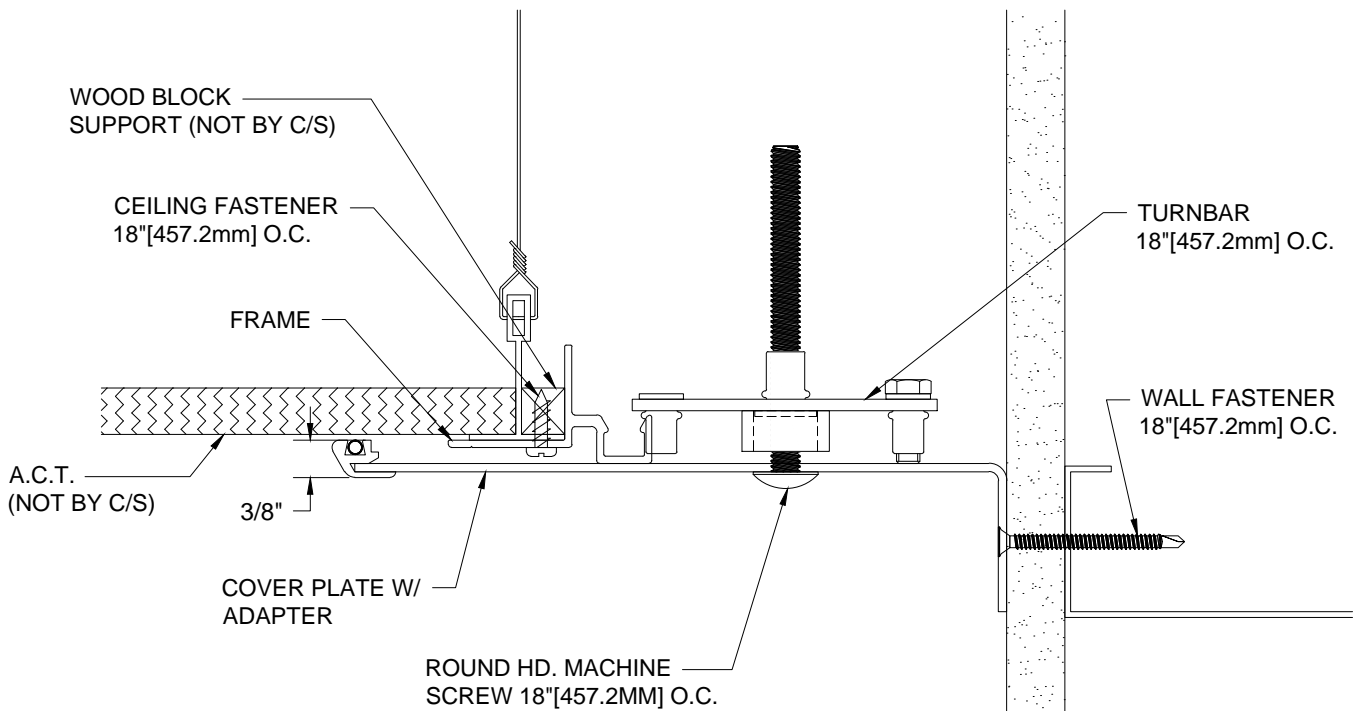
\*\* For Model SCC, attach the Center Plate to the wall with the fastener provided.

# STEP 4

## COMPLETE INSTALLATION



MODEL SFC



MODEL SCC

### Step 4:

- 4.1) When installation of the Joint Cover has been completed, remove all residue and foreign matter from the area and joint cover.
- 4.2) Clean the C/S Joint Cover and adjoining surfaces with proper cleaner.
- 4.3) Protect the Joint Cover until the Architect's final inspection.