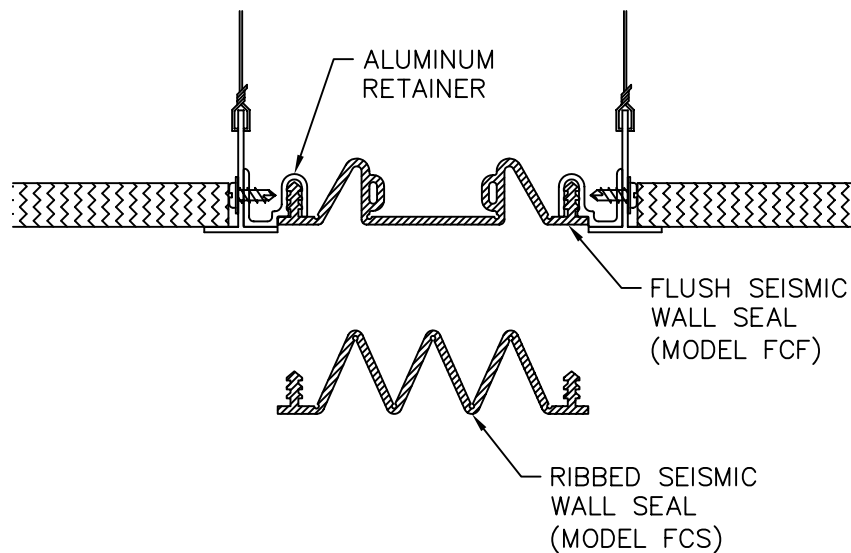


FCF/FCFC-300/500 & FCS/FCSC-200/400 FLUSH INTERIOR EXPANSION JOINT COVER INSTALLATION INSTRUCTIONS



IMPORTANT INFORMATION

Prior to the commencement of Installation, all materials MUST be inspected for Damage. Any damage must be reported to CONSTRUCTION SPECIALTIES, INC., as soon as possible, so that replacement materials may be furnished without delay.

All work must be completed as per Architect's Approved "Shop Drawings", and in accordance with these Installation Instructions. When installation is complete, all materials must be protected from damage until the Architect's FINAL INSPECTION.

All materials should be arranged in the order that they are to be installed. All hardware required for each portion of the work should be placed with the appropriate materials.

Please review all Approved Shop Drawings and this Document to familiarize yourself with all the details and components of this assembly.

IMPORTANT:

READ THROUGH ALL INSTRUCTIONS PRIOR TO STARTING INSTALLATION

10/04/05

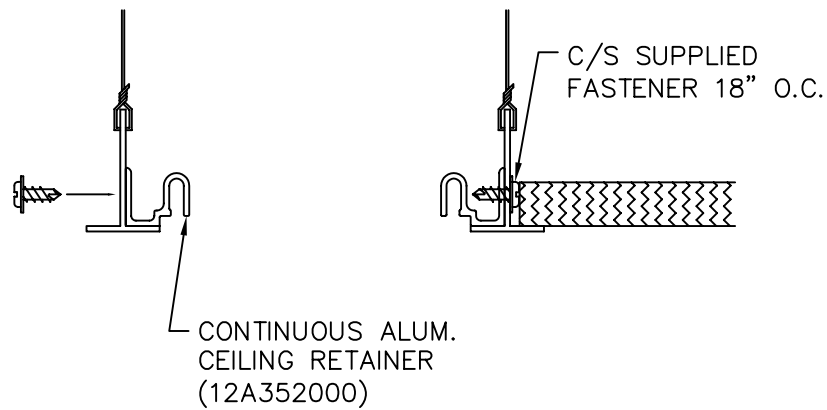
CONSTRUCTION SPECIALTIES, INC.

P.O. BOX 380
MUNCY, PA 17756
PHONE: (570)546-5941 FAX: (570)546-8022

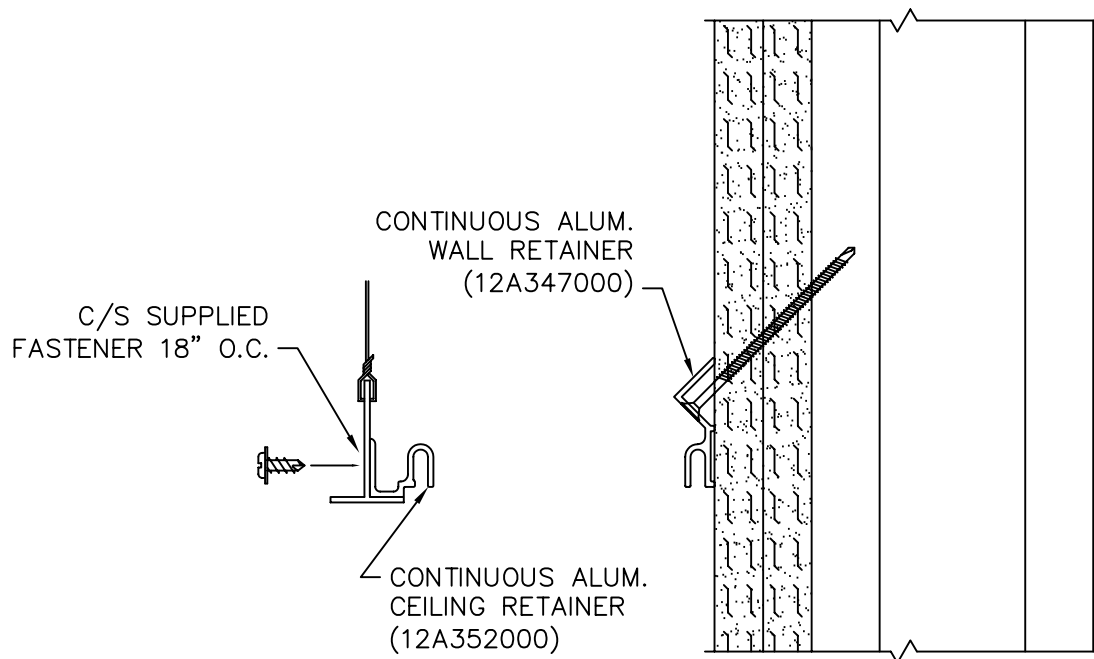
This document is the property of Construction Specialties, Inc. and contains CONFIDENTIAL PROPRIETARY INFORMATION that is not to be disclosed to third parties and is not to be used without approval in writing from Construction Specialties, Inc.

STEP 1

INSTALLATION OF ALUMINUM FRAMES



FLAT WALL CONDITION



CORNER WALL CONDITION

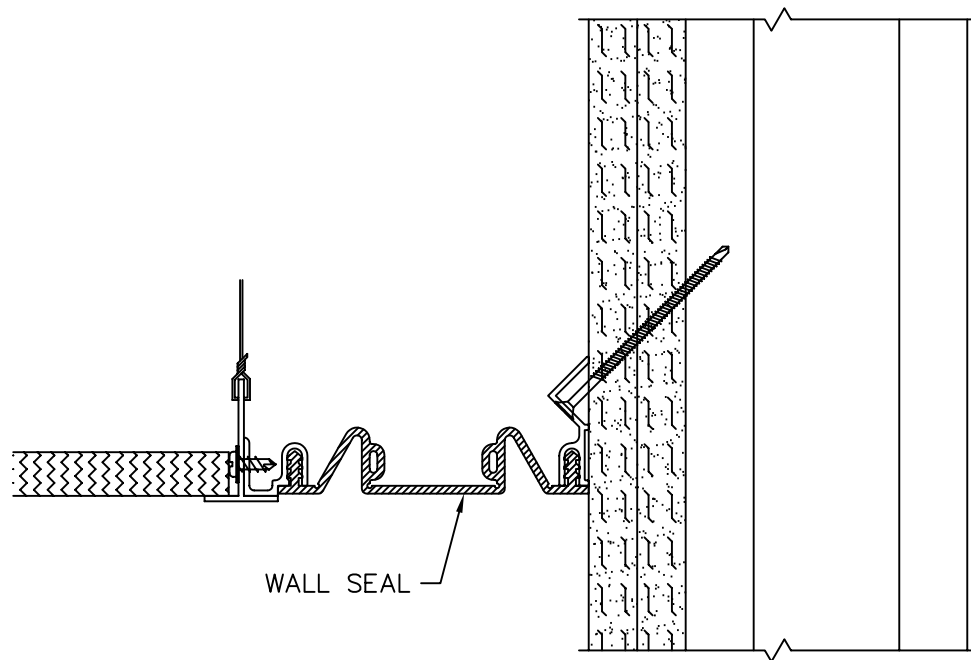
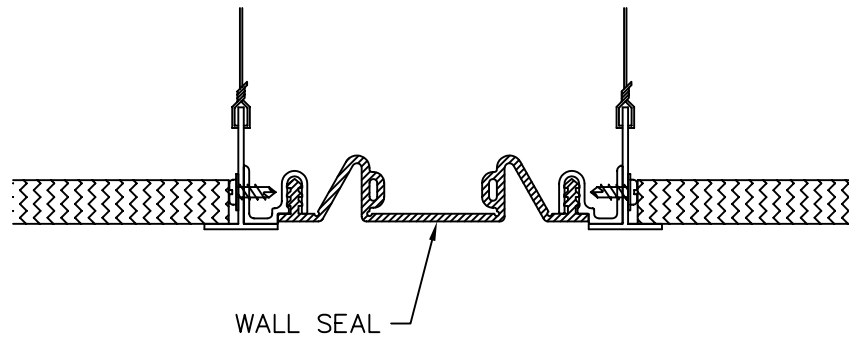
- 1.1) MEASURE AND CUT THE ALUMINUM DRYWALL FRAME TO THE APPROPRIATE LENGTH.
- 1.2) POSITION THE RETAINER ON THE CEILING TEE OR WALL AS SHOWN.
- 1.3) ANCHOR THE RETAINER WITH THE C/S SUPPLIED FASTENER.

NOTE: DEPENDING ON THE WALL CONSTRUCTION, IT MAY BE NECESSARY TO PRE-DRILL HOLES FOR THE C/S SUPPLIED FASTENERS.

- 1.4) REPEAT FOR INSTALLATION OF RETAINER FOR THE OTHER SIDE OF THE EXPANSION JOINT.

STEP 2

SEAL INSTALLATION



2.1) CUT A LENGTH OF WALL SEAL AS NEEDED FOR THE RUN.

2.2) STARTING AT THE TOP OF THE RUN, INSERT SEAL INTO THE SLOTS OF THE FRAME.

NOTE: IN MOST CASES HAND PRESSURE WILL BE SUFFICIENT TO SEAT THE SEAL IN THE RETAINER. IF NECESSARY, YOU MAY USE A RUBBER Mallet AND A WOOD BLOCK TO GENTLY DRIVE THE SEAL FLUSH WITH THE SURFACE OF THE RETAINER.

2.3) ANY DIRT MAY BE REMOVED BY USING AN INDUSTRIAL STRENGTH CLEANER. INSTALLATION OF THE EXPANSION JOINT COVER IS NOW COMPLETE.