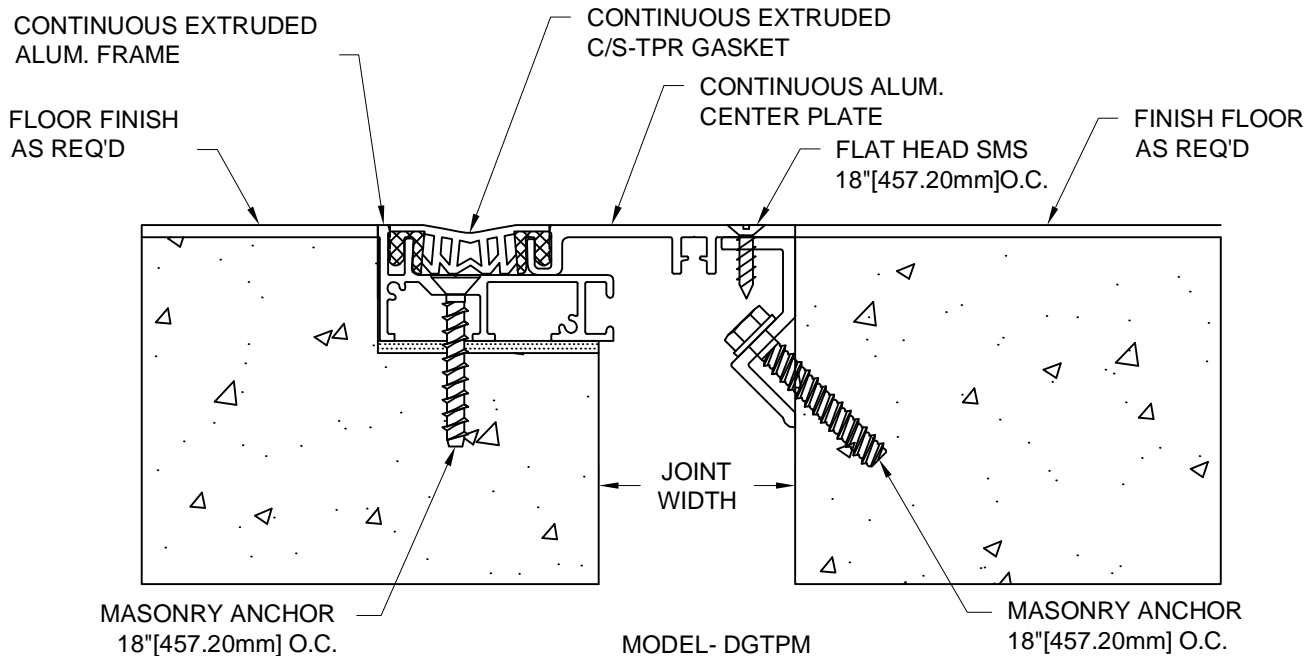
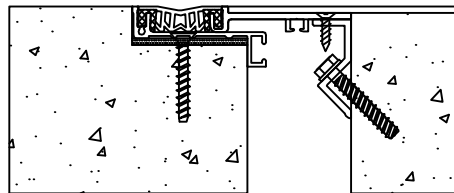


# MODEL DGTPM & DGTRM INSTALLATION INSTRUCTIONS



\* 3" & 4" FRAMES:  
MASONRY ANCHOR  
12" [304.80mm] O.C.,  
MAX. STAGGERED



MODEL-DGTRM

## IMPORTANT INFORMATION

Prior to the commencement of installation, all materials MUST be inspected for damage. Any damage must be reported to CONSTRUCTION SPECIALTIES, INC., as soon as possible, so that replacement materials may be furnished without delay.

All work must be completed as per Architect's Approved "Shop Drawings", and in accordance with these Installation Instructions. When installation is complete, all materials must be protected from damage until the Architect's FINAL INSPECTION.

All materials should be arranged in the order that they are to be installed. All hardware required for each portion of the work should be placed with the appropriate materials.

Please review all Approved Shop Drawings and this document to familiarize yourself with all the details and components of this assembly.

**IMPORTANT:**  
READ THROUGH ALL INSTRUCTIONS PRIOR TO STARTING INSTALLATION

1/12/10



**Construction Specialties™**

6696 Route 405 Highway, Muncy PA 17756  
(800) 233-8493 . Fax (570) 546-5169 . www.c-sgroup.com

This document is the property of Construction Specialties, Inc. and contains CONFIDENTIAL PROPRIETARY INFORMATION that is not to be disclosed to third parties and is not to be used without approval in writing from Construction Specialties, Inc.

Notes:

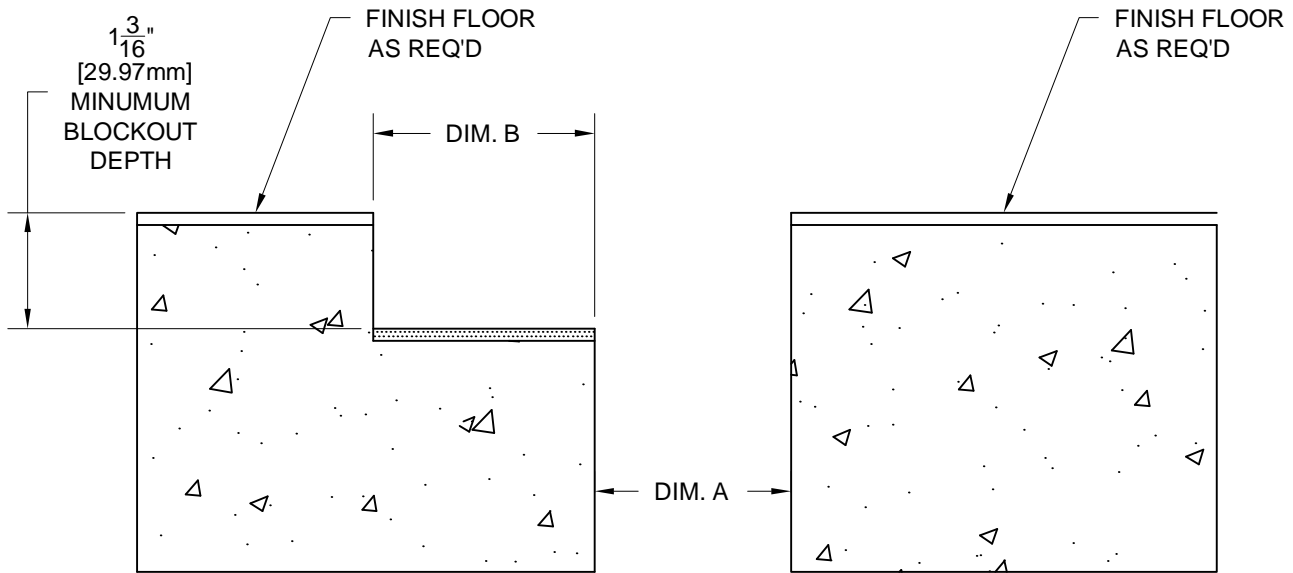
Before beginning installation, review the architectural drawings and approved Construction Specialties Inc. shop drawings to familiarize yourself with the appropriate joint cover models and locations.

Check all of the joint cover components to confirm that the correct joint cover model and size have been received. Also, check for materials that may have been damaged during shipping. Report all incorrect and/or damaged components to C/S at 800-233-8493.

Read through all the steps of these instructions prior to beginning work.

# STEP 1

## PREPARE BLOCKOUTS



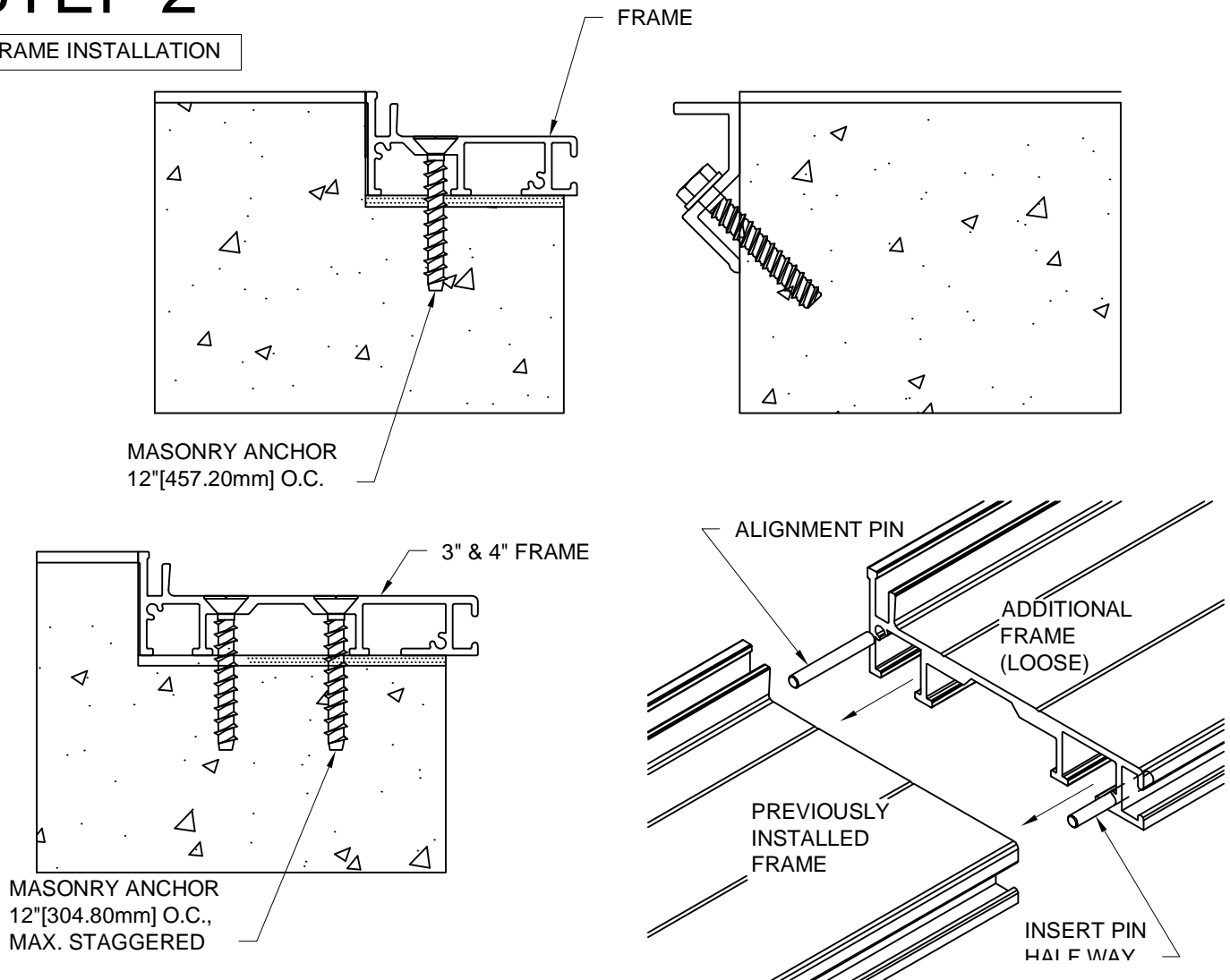
BLOCKOUT DIMENSIONS	
DIM. A	DIM. B
2" [50.80mm]	2 1/4" [57.15mm]
3" [76.20mm]	3 1/2" [88.90mm]
4" [101.60mm]	3 1/2" [88.90mm]

### Step 1:

- 1.1) The blockouts must be prepared to receive the joint cover.
  - The blockout width (Dim. B) will vary with model as indicated above or as noted on the C/S shop drawings.
  - The blockout depth will typically be 1 3/16"[30.0mm]. However, the depth may be adjusted as needed to accommodate a floor finish material when required and as indicated on the architectural drawings and/or C/S shop drawings.
  - It is recommended that the blockout be formed a minimum of 1/8" deeper to allow the blockouts to be leveled for installation of the joint cover.
  - Apply a high-strength non-latex leveling grout to the base of the blockouts to provide a continuous, solid, flat and level base for the joint cover. (Note: The blockouts must be level across the width of the joint.)

# STEP 2

## FRAME INSTALLATION



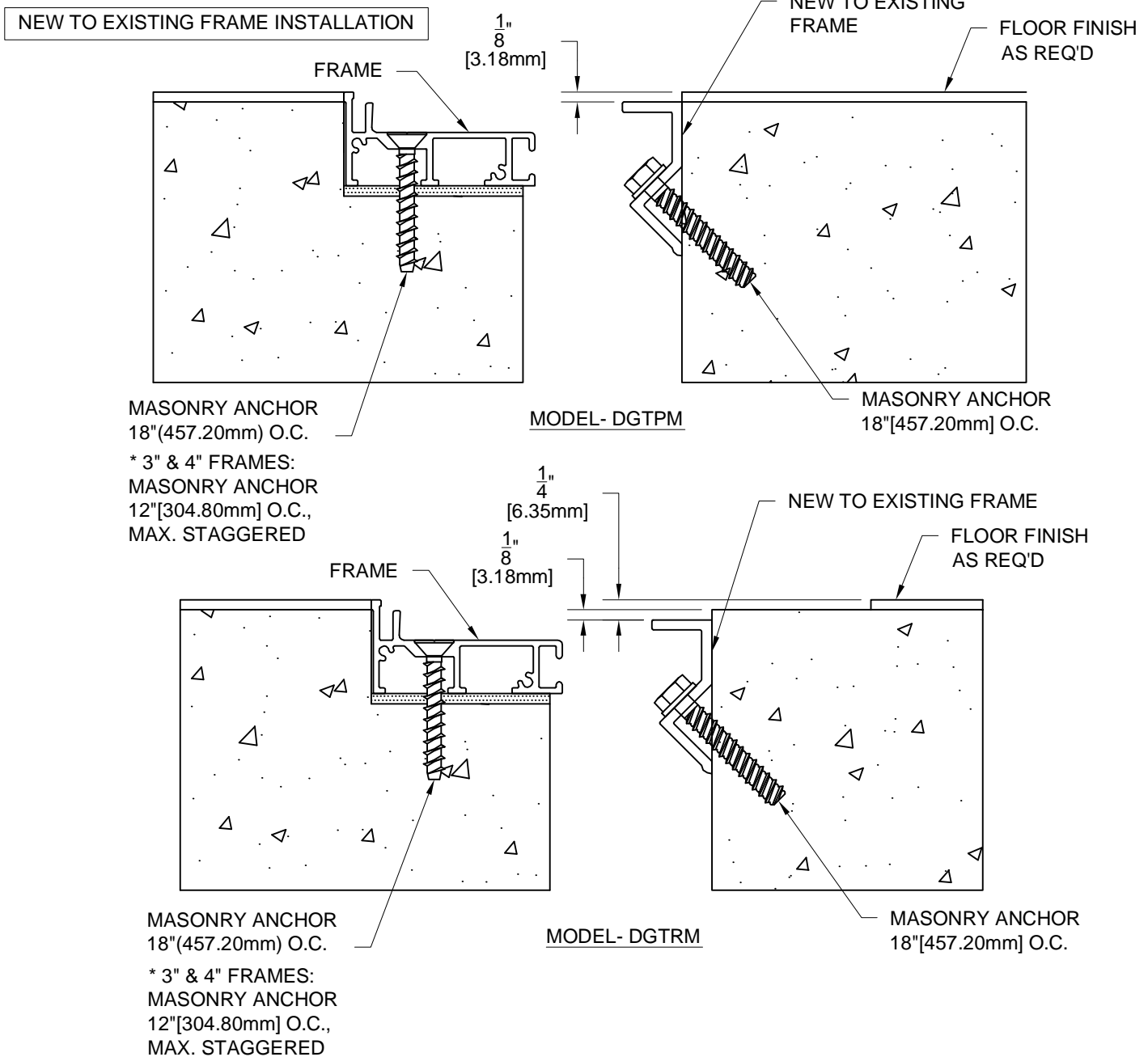
### Note:

- If a C/S Fire Barrier is to be installed in the joint, please review the Fire Barrier Installation Instructions supplied, and if required install the Fire Barrier BEFORE installation of C/S Seismic Expansion Joint Aluminum Frames.
- If a Vapor Barrier/Waterstop is to be installed in the joint, please review the Vapor Barrier/Waterstop Installation Instructions supplied, and if required install the Vapor Barrier/Waterstop BEFORE installation of C/S Seismic Expansion Joint Aluminum Frames.
- If there is an expected temperature change of 20°F(+) daily, leave a 1/16" gap between Plates for 10' sections or an 1/8" gap between Plates for a 20' section due the thermal expansion of aluminum. Caulk (By Others) in between Plates to seal gap.

### Step 2:

- 2.1) Begin installation of the Frames by placing a length of Frame into the blockout. Cut the Frame to length as needed. The Frame is to sit level, flat and parallel to the edge of the joint.
- 2.2) Using the Frame as a template, drill holes for the C/S supplied anchor bolts per manufacturer's guidelines.
- 2.3) Anchor the Frame to the slab using the C/S supplied anchor bolts following the manufacturer's guidelines.
- 2.4) Repeat this installation procedure for opposite side of the joint and for any additional lengths of Frame.
- 2.5) For additional lengths of Frame, insert the Alignment Pin halfway into the alignment slots of the Additional Frame (loose) if necessary, apply a small amount of instant adhesive (by others) to secure the Pin.
- 2.6) Align the loose Frame with the previously installed Frame and slide together. Make sure the alignment pins slide into the slots of the previously installed Frame.

# STEP 3



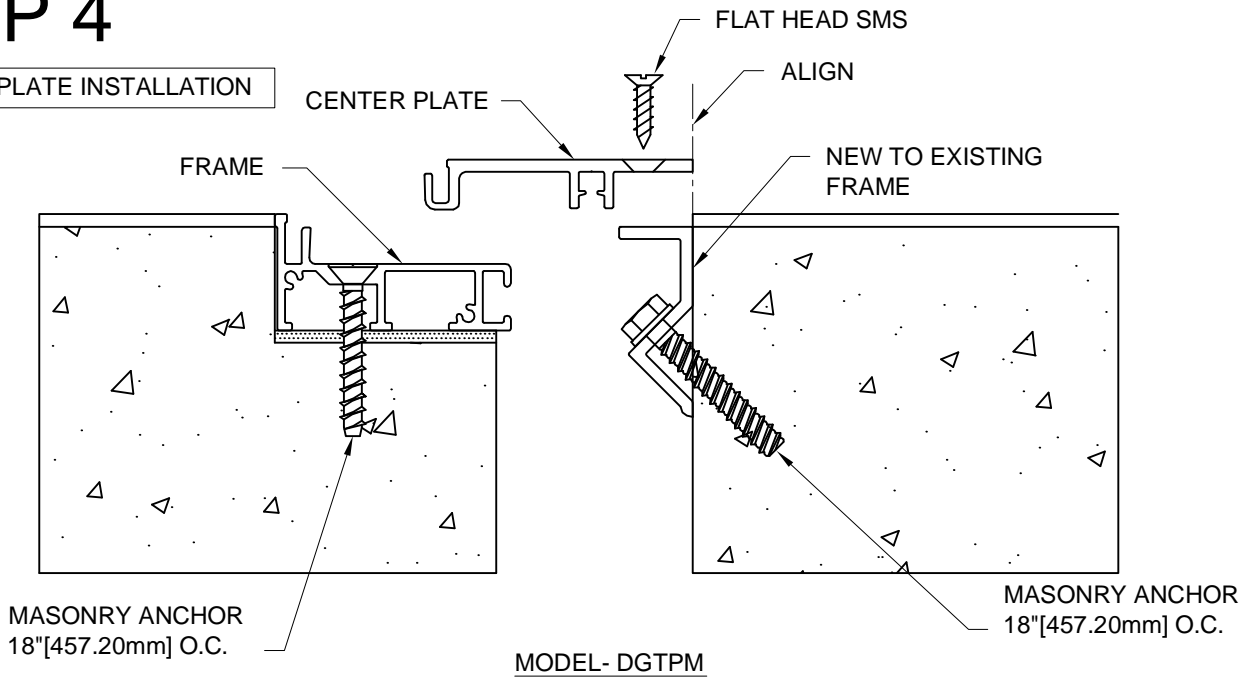
## Step 3:

- 3.1) Begin installation of the New to Existing Frame by placing a length of the New to Existing Frame beside the blockout. Cut the New to Existing Frame to length as needed. Note the orientation of the New to Existing Frame in detail above.
- 3.2) For the DGTPM New to Existing Frame, locate Frame flush with the top of the slab or deduct as appropriate for the required floor finish and mark a line on the slab's surface (see detail above).
- 3.3) For the DGTRM New to Existing Frame, locate Frame by measuring  $\frac{1}{8}$ " down from the top of the slab and/or deduct as appropriate for the required floor finish. Mark a line on the slab's surface (see detail above).
- 3.4) Align the top of the New to Existing Frame with the line on the slab's surface. Using the New to Existing Frame as a template, drill holes for the C/S supplied anchor bolts per manufacturer's guidelines. Note: Extra care must be taken when drilling the slab at an angle that the holes are at the appropriate level.
- 3.5) Anchor the New to Existing Frame to the slab using the C/S supplied anchor bolts following the manufacturer's guidelines.
- 3.6) Repeat this installation procedure for any additional lengths of New to Existing Frame.

Note: If there is an expected temperature change of 20°F(+) daily, leave a 1/16" gap between Frames for 10' sections or an 1/8" gap between Frames for a 20' section due the thermal expansion of aluminum. Caulk (By Others) in between Frames to seal gap.

# STEP 4

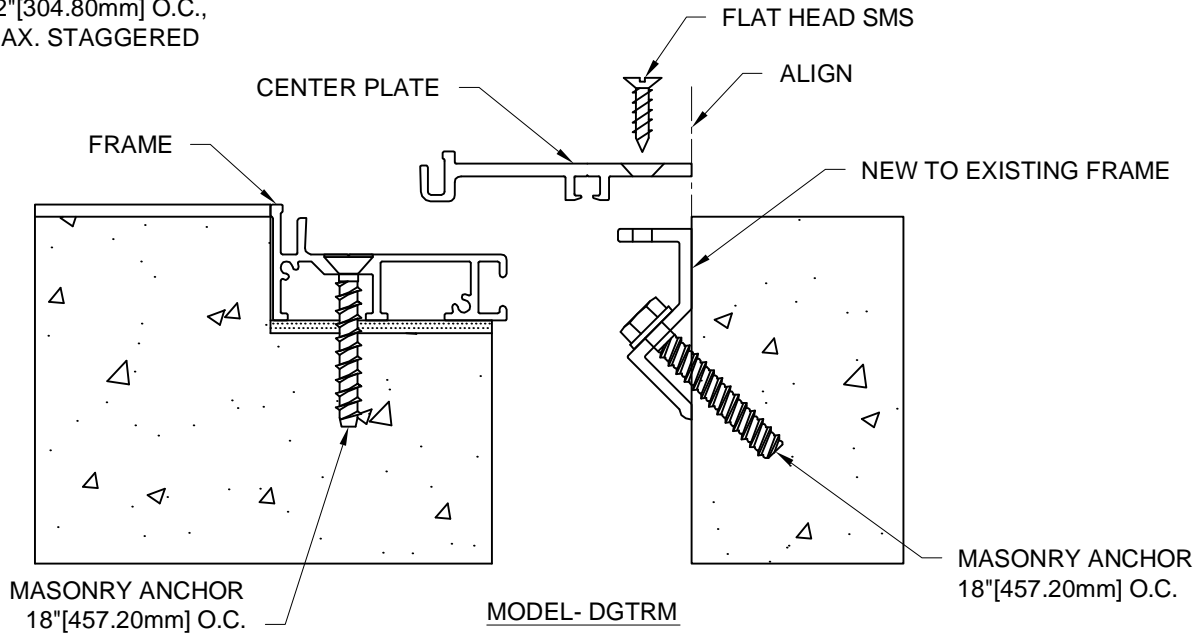
## CENTER PLATE INSTALLATION



MASONRY ANCHOR  
18" [457.20mm] O.C.

MODEL-DGTPM

\* 3" & 4" FRAMES:  
MASONRY ANCHOR  
12" [304.80mm] O.C.,  
MAX. STAGGERED



MASONRY ANCHOR  
18" [457.20mm] O.C.

MODEL-DGTRM

\* 3" & 4" FRAMES:  
MASONRY ANCHOR  
12" [304.80mm] O.C.,  
MAX. STAGGERED

### Note:

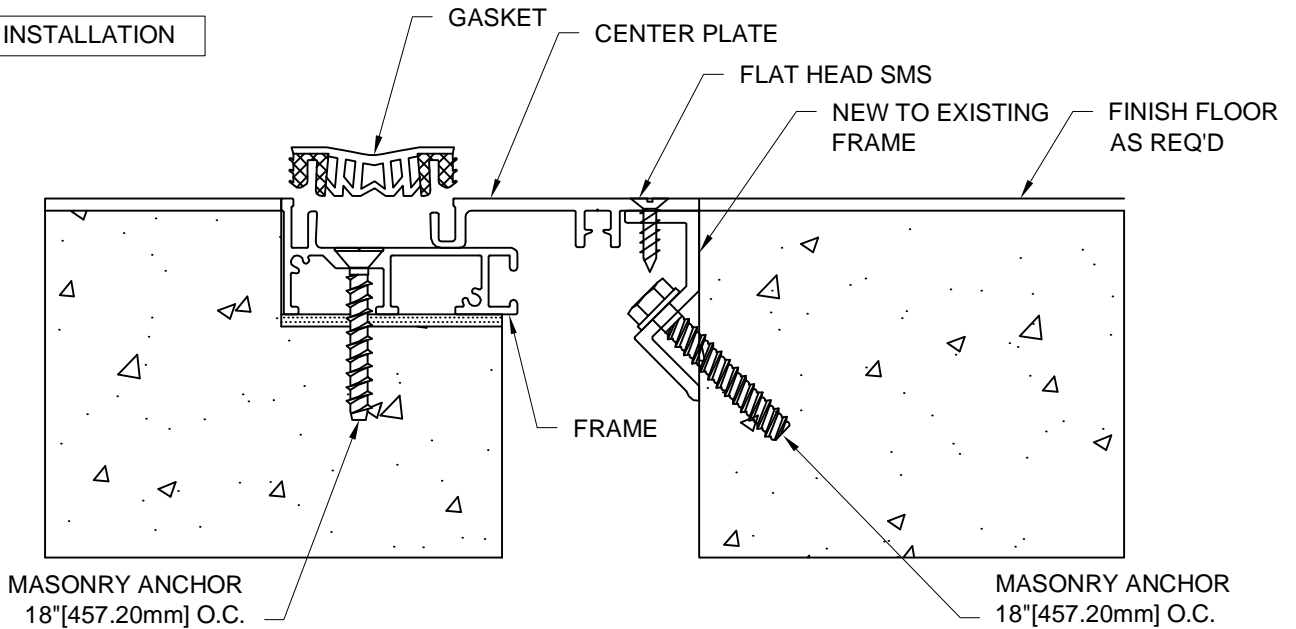
- If there is an expected temperature change of 20°F(+) daily, leave a 1/16" gap between Plates for 10' sections or an 1/8" gap between Plates for a 20' section due the thermal expansion of aluminum. Caulk (By Others) in between Plates to seal gap.

### Step 4:

- 4.1) Begin installation of Center Plate by placing a length of the Center Plate over the joint and cutting it to the req'd length.
- 4.2) Align the edge of the Center Plate with the edge of the New to Existing Frame as shown in details above.
- 4.3) Using the Center Plate as a template mark the locations of the C/S supplied SMS.
- 4.4) Anchor the Center Plate to the New to Existing Frame using the C/S supplied #8 FH SMS following the manufacturer's guidelines.
- 4.5) Repeat this installation procedure for any additional lengths of the Center Plate.

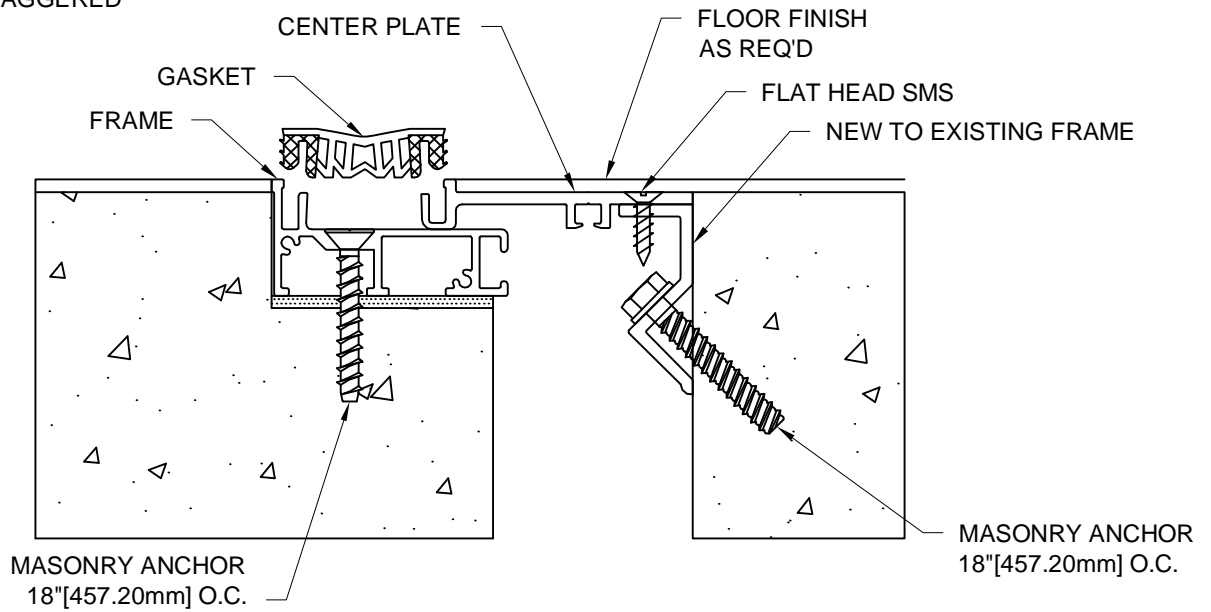
# STEP 5

## GASKET INSTALLATION



MODEL- DGTPM

\* 3" & 4" FRAMES:  
MASONRY ANCHOR  
12"[304.80mm] O.C.,  
MAX. STAGGERED



MODEL- DGTRM

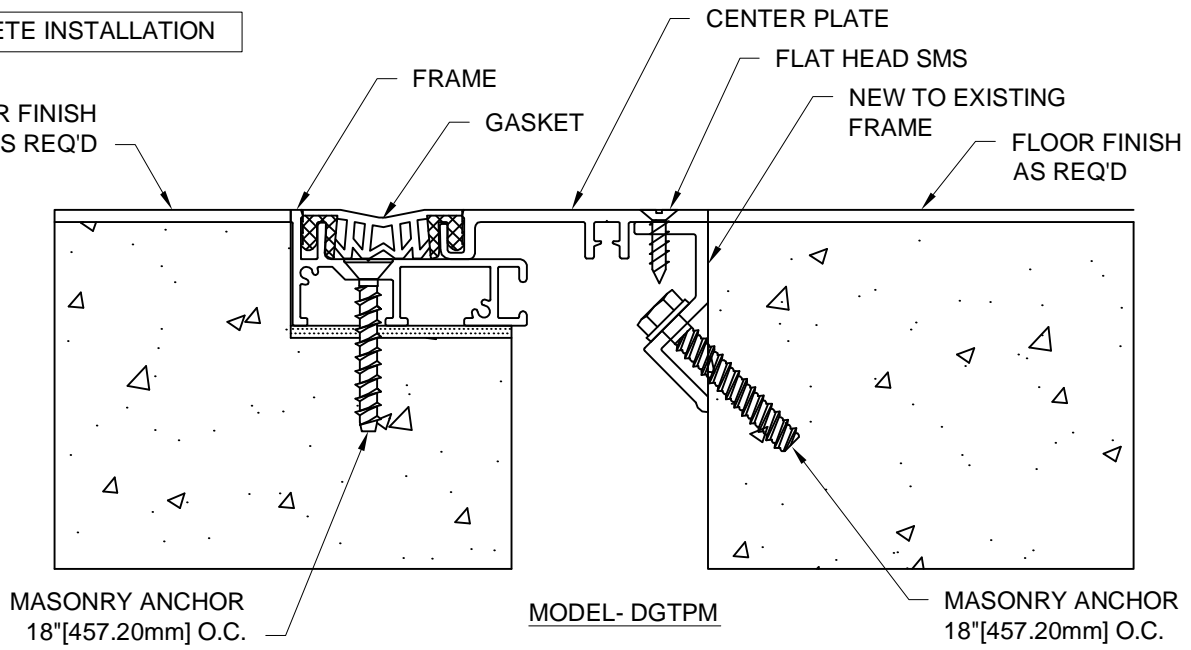
\* 3" & 4" FRAMES:  
MASONRY ANCHOR  
12"[304.80mm] O.C.,  
MAX. STAGGERED

### Step 5:

5.1) Begin installation of Gasket by placing a length of the Gasket over the joint and cutting it to the req'd length. It may be necessary to drive the Gasket in place using a rubber mallet and a wood block. Lubricating the push in areas by spraying them with a light mist of water will also ease the installation. When Gaskets are properly installed, they should be flush with the top surface of the Center Plate and Frames.

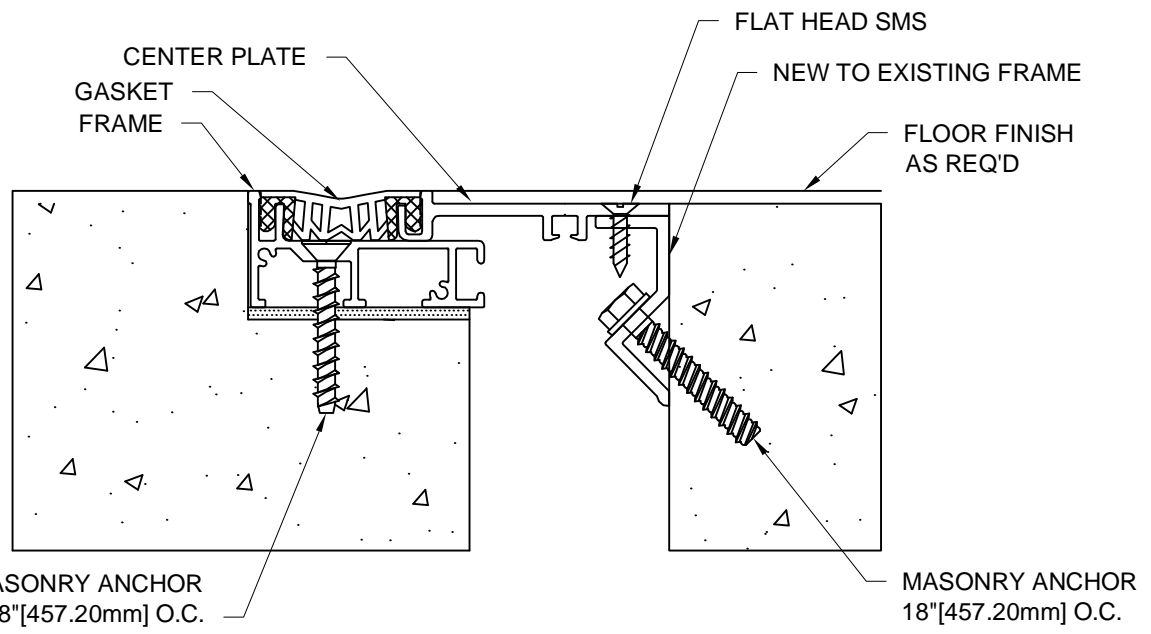
# STEP 6

COMPLETE INSTALLATION



\* 3" & 4" FRAMES:  
MASONRY ANCHOR  
12"[304.80mm] O.C.,  
MAX. STAGGERED

MODEL- DGTPM



\* 3" & 4" FRAMES:  
MASONRY ANCHOR  
12"[304.80mm] O.C.,  
MAX. STAGGERED

MODEL- DGTRM

Step 6:

- 6.1) When installation of the C/S Floor Expansion Joint Cover has been completed, remove all residue and foreign matter from the area and joint cover.
- 6.2) Clean the C/S Joint Cover and adjoining surfaces with a cleaner that is adequate for surface.
- 6.3) Protect the Joint Cover until Architect's final inspection.