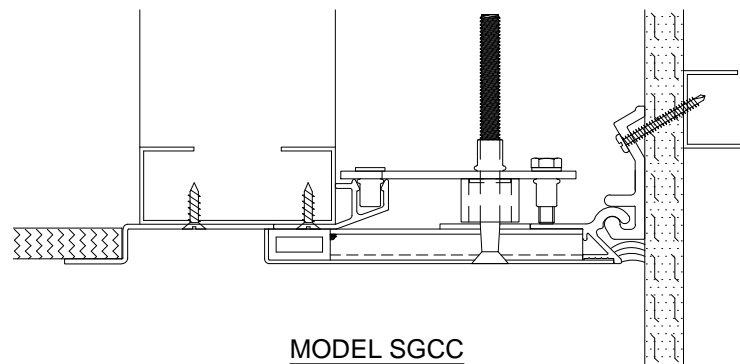
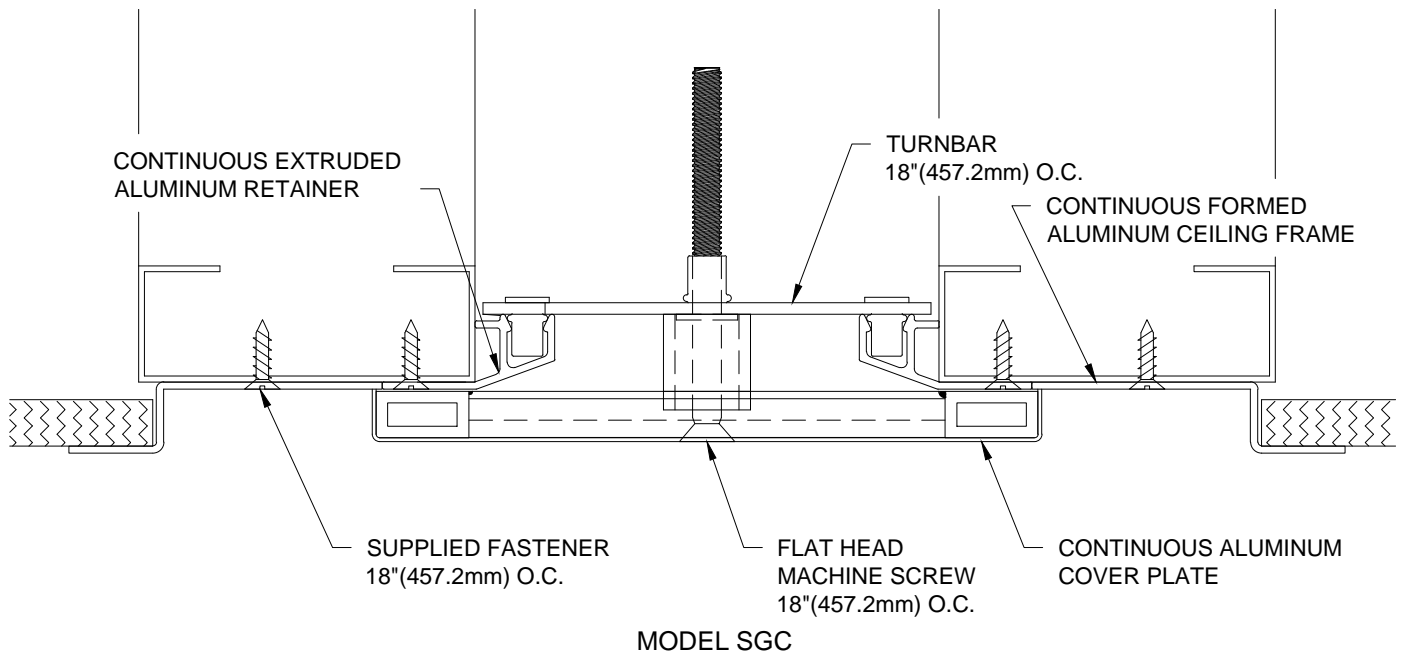


# MODEL SGC/SGCC 500 THRU 1600 INSTALLATION INSTRUCTIONS



## IMPORTANT INFORMATION

Prior to the commencement of Installation, all materials **MUST** be inspected for Damage. Any damage must be reported to CONSTRUCTION SPECIALTIES, INC., as soon as possible, so that replacement materials may be furnished without delay.

All work must be completed as per Architect's Approved "Shop Drawings", and in accordance with these Installation Instructions. When installation is complete, all materials must be protected from damage until the Architect's FINAL INSPECTION.

All materials should be arranged in the order that they are to be installed. All hardware required for each portion of the work should be placed with the appropriate materials.

Please review all Approved Shop Drawings and this Document to familiarize yourself with all the details and components of this assembly.

## IMPORTANT:

**READ THROUGH ALL INSTRUCTIONS PRIOR TO STARTING INSTALLATION**

1/26/12

### CONSTRUCTION SPECIALTIES, INC.

P.O. BOX 380  
MUNCY, PA 17756  
PHONE: (570)546-5941 FAX: (570)546-8022

This document is the property of Construction Specialties, Inc. and contains CONFIDENTIAL PROPRIETARY INFORMATION that is not to be disclosed to third parties and is not to be used without approval in writing from Construction Specialties, Inc.

Notes:

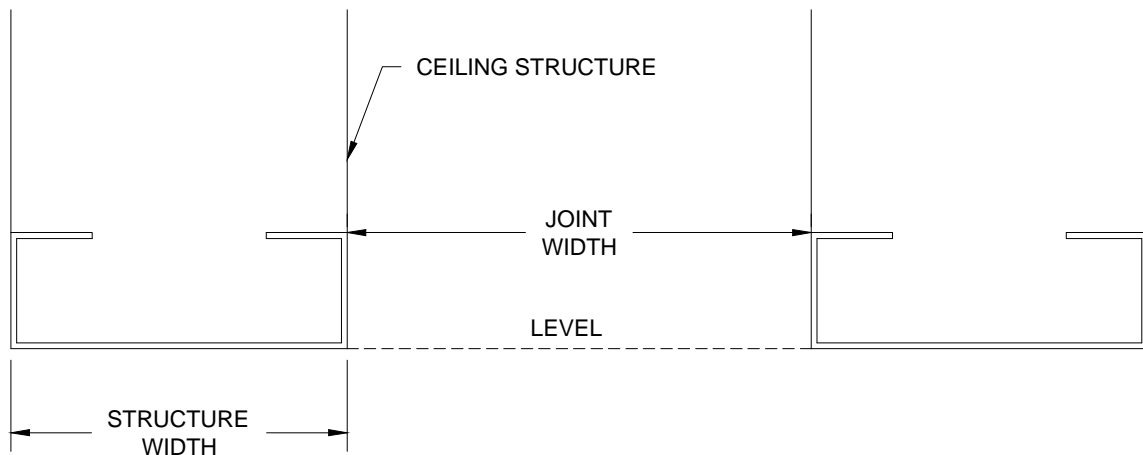
Before beginning installation, review the architectural drawings and approved Construction Specialties Inc. shop drawings to familiarize yourself with the joint cover models and locations.

Check all of the joint cover components to confirm that the correct joint cover model and size have been received. Also, check for materials that may have been damaged during shipping. Report all incorrect and/or damaged components to C/S at 800-233-8493.

Read through all the steps of these instructions prior to beginning work.

# STEP 1

## PREPARE FOR INSTALLATION

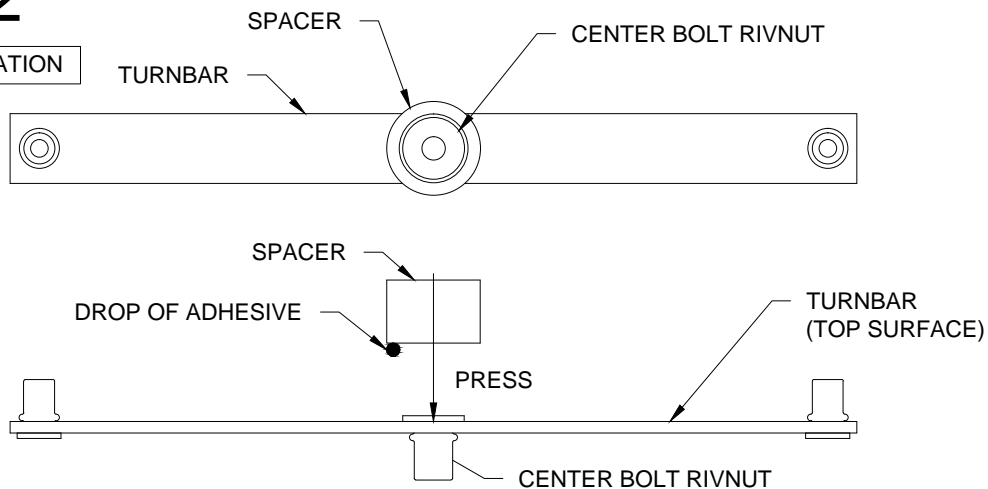


### Step 1:

- 1.1) The ceiling structure must be prepared to receive the joint cover as per the architectural details:
  - The structure width will vary with model as noted on the C/S shop drawings.
  - The structure must be plumb, square and level across the width of the joint.

# STEP 2

## SPACER INSTALLATION



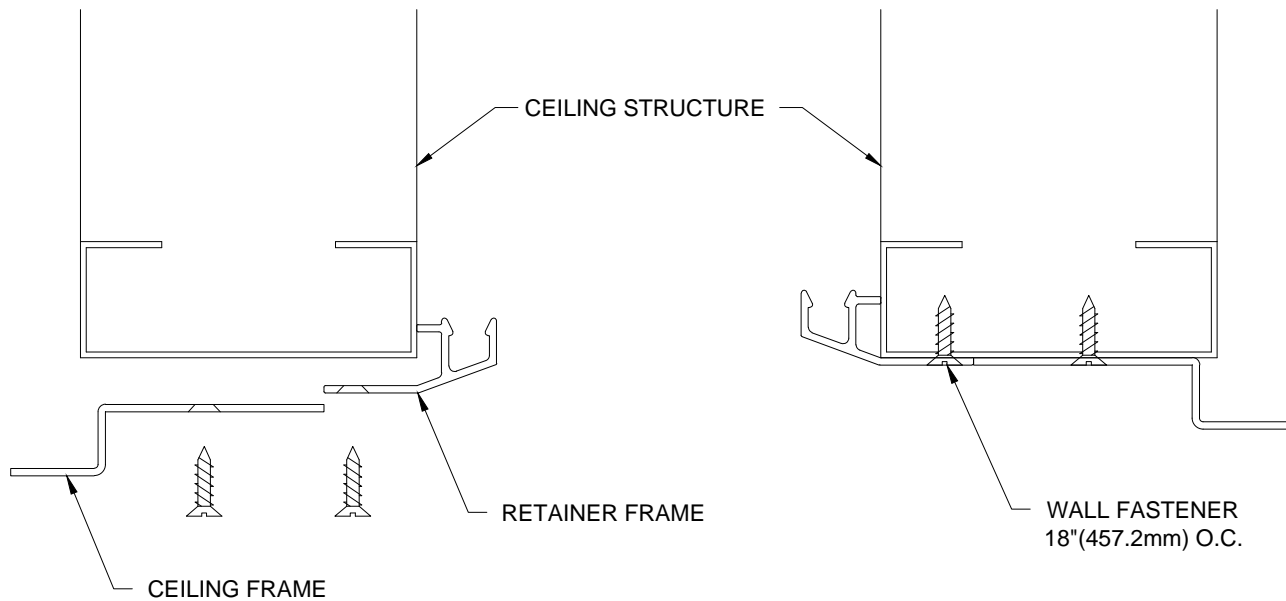
### Step 2:

Note: A Spacer must be placed between the Turnbar and the underside (or backside) of the Cover Plate. The Spacer is used to prevent excess bowing of the Turnbars when the center bolt is tightened. (Some bowing of the Turnbars is required to apply the holding force on the Cover Plate.)

- 2.1) Place a small drop of "super glue" adhesive (not supplied) onto one end of a Spacer.
- 2.2) Position the end of the Spacer with the adhesive against the top surface of the Turnbar, centered over the flat head portion of the Center Bolt Rivnut (see detail above).
- 2.3) Press firmly for a few seconds until the Spacer is bonded to the Turnbar.

# STEP 3

## FRAME INSTALLATION



### MODEL SGC

#### Step 3:

Note: If a C/S Fire Barrier is to be installed in the joint, please review the Fire Barrier Installation Instructions supplied, and if required install the Fire Barrier **BEFORE** installation of C/S Seismic Expansion Joint Aluminum Frames.

- 3.1) Begin installation of Retainer Frame by placing a length of the Retainer Frame onto the edge of joint as shown above. Cut the Retainer Frame to length as needed.
- 3.2) Position the Retainer Frame as shown above and anchor the Retainer Frame to the ceiling structure using the C/S supplied fasteners per approved shop drawings and in accordance with the manufacturer's guidelines.

Note: Depending on ceiling construction, it may be necessary to pre-drill holes for the supplied fasteners.

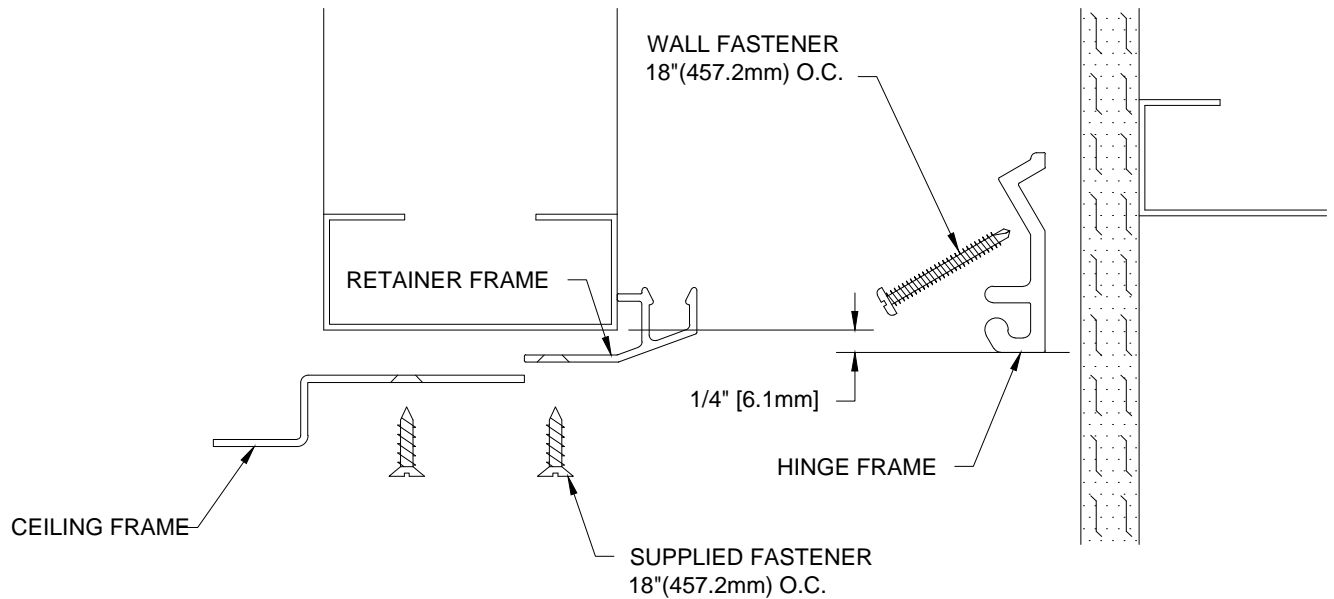
- 3.3) Repeat this procedure for installation on the opposite side of joint and for any additional lengths of Retainer Frame.
- 3.4) Begin installation of the Ceiling Frame by placing a length of the Ceiling Frame onto the edge of structure width as shown above. Cut the Ceiling Frame to length as needed.
- 3.5) Position the Ceiling Frame by butting against the Retainer Frame as shown above and anchor the Ceiling Frame to the ceiling using the C/S supplied fasteners per approved shop drawings and in accordance with the manufacturer's guidelines.

Note: Depending on ceiling construction, it may be necessary to pre-drill holes for the supplied fasteners.

- 3.6) Repeat this procedure for installation on the opposite side of joint and for any additional lengths of Ceiling Frame.

# STEP 4

## CORNER FRAME INSTALLATION



### MODEL SGCC

#### Step 4:

**Note:** If a C/S Fire Barrier is to be installed in the joint, please review the Fire Barrier Installation Instructions supplied, and if required install the Fire Barrier **BEFORE** installation of C/S Seismic Expansion Joint Aluminum Frames.

- 4.1) Begin installation of Retainer Frame by placing a length of the Retainer Frame onto the edge of joint as shown above. Cut the Retainer Frame to length as needed.
- 4.2) Position the Retainer Frame as shown above and anchor the Retainer Frame to the ceiling structure using the C/S supplied fasteners per approved shop drawings and in accordance with the manufacturer's guidelines.

**Note:** Depending on ceiling construction, it may be necessary to pre-drill holes for the supplied fasteners.

- 4.3) Repeat this installation procedure for any additional lengths of Retainer Frame.
- 4.4) Begin installation of Ceiling Frame by placing a length of the Ceiling Frame onto the edge of structure width as shown above. Cut the Ceiling Frame to length as needed.
- 4.5) Position the Ceiling Frame by butting against the Retainer Frame as shown above and anchor the Ceiling Frame to the ceiling using the C/S supplied fasteners per manufacturer's guidelines.

**Note:** Depending on ceiling construction, it may be necessary to pre-drill holes for the supplied fasteners.

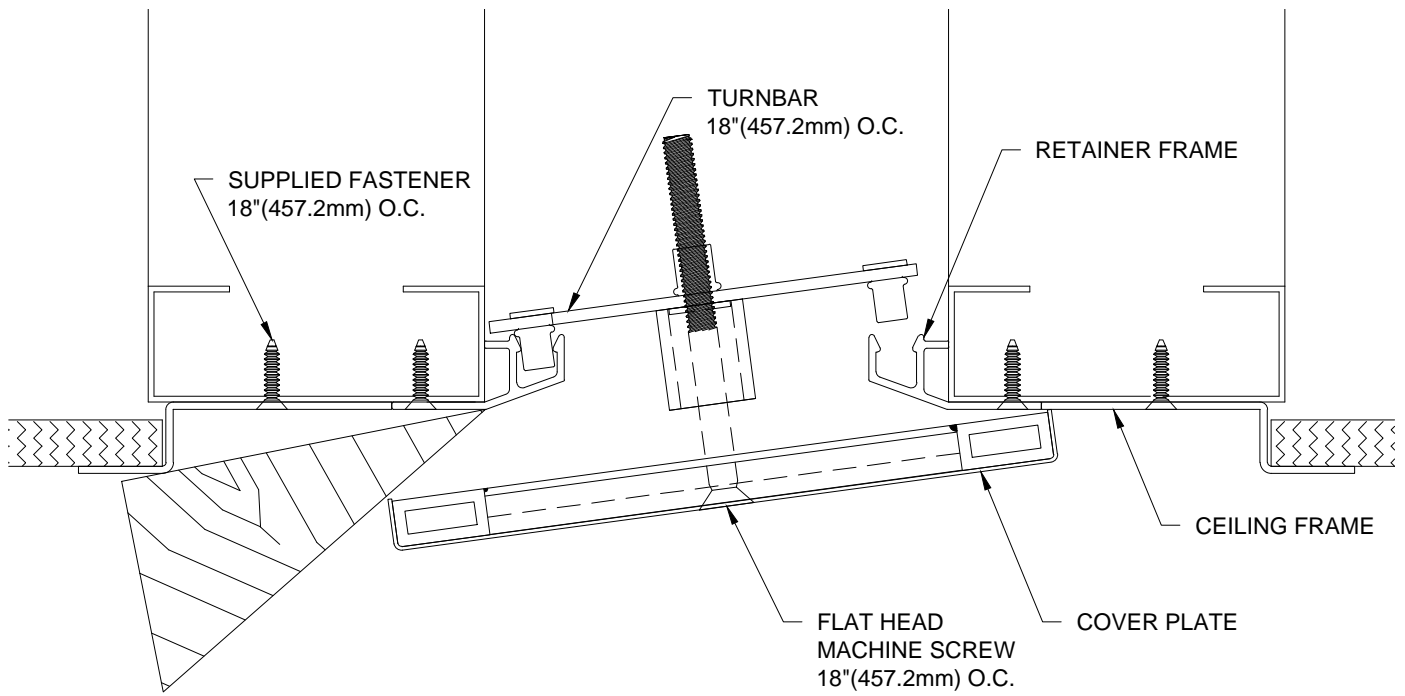
- 4.6) Repeat this installation procedure for any additional lengths of Ceiling Frame.
- 4.7) Begin installation of Hinge Frame by cutting the Hinge Frame to length as needed.
- 4.8) Measure 1/4" below the ceiling structure and mark a line on wall surface. Align the bottom of Hinge Frame with line on surface of wall as shown above.
- 4.9) Anchor the Hinge Frame to the wall using the C/S supplied wall fasteners per approved shop drawings and in accordance with the manufacturer's guidelines.

**Note:** Depending on wall construction, it may be necessary to pre-drill holes for the supplied fasteners.

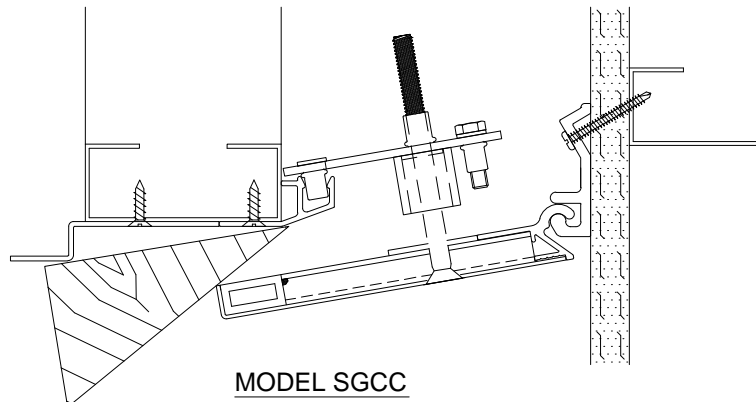
- 4.10) Repeat this installation procedure for any additional lengths of Hinge Frame.

# STEP 5

## COVER PLATE INSTALLATION



MODEL SGC



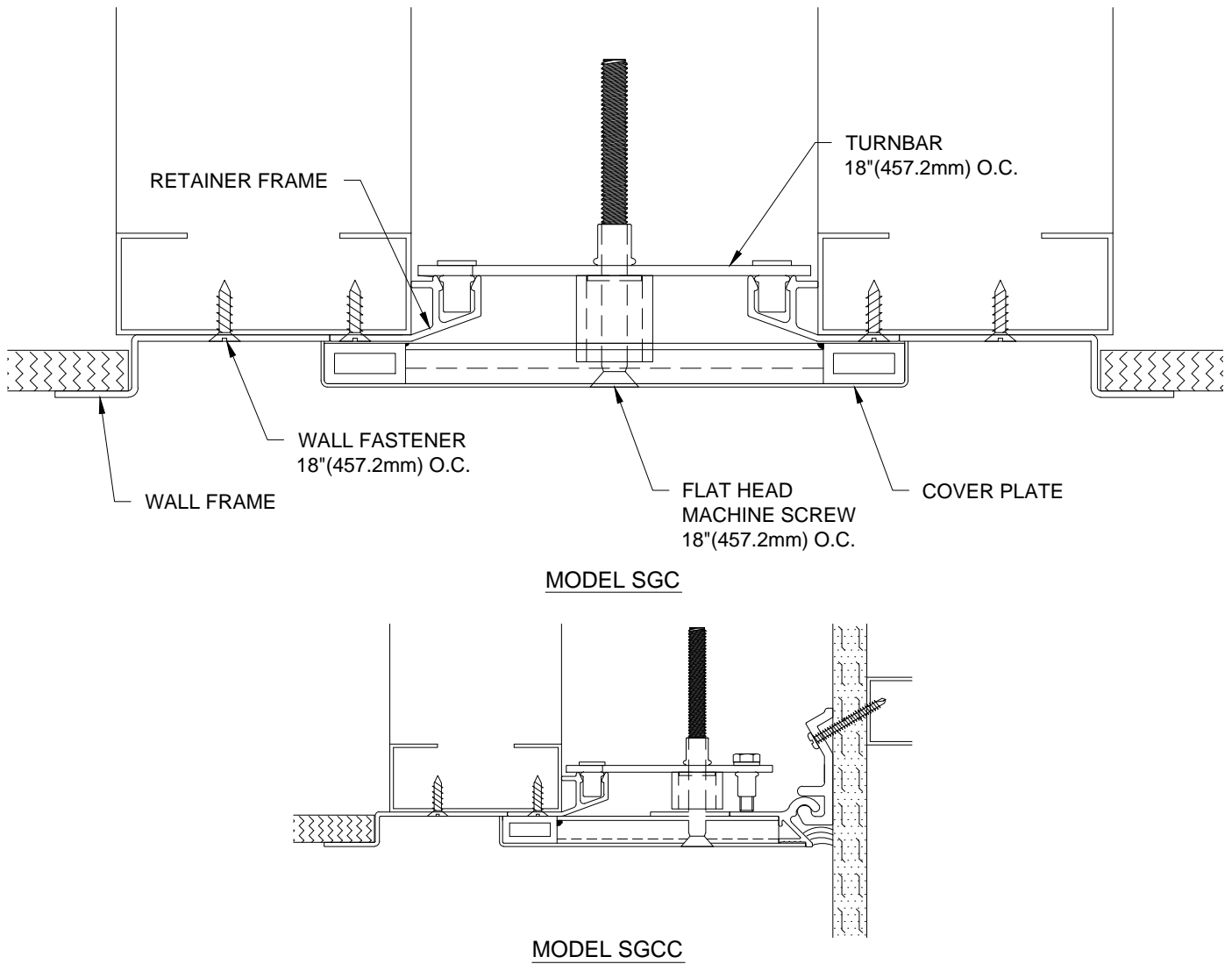
MODEL SGCC

### Step 5:

- 5.1) Prepare the Cover Plate for installation by first cutting the Cover Plate to length as needed.
- 5.2) Attach a Turnbar to the backside of the Cover Plate at each hole location. (Note the orientation of the Turnbar in the detail above.) Thread a machine screw only approx. 1/4" into the Turnbar for now.
- 5.3) Place the Cover Plate/Turnbar Assembly against one side of the Seismic Expansion Joint at an angle that will allow hand penetration behind the Cover Plate. With the Cover Plate in this position, reach behind the Cover Plate and locate the pivot pin of the end Turnbar into the pivot pin receivers of the Frame on each side of the joint. Allow the Cover Plate to suspend on the Turnbar.
- 5.4) Repeat this procedure with the Turnbar at the opposite end of the Cover Plate.
- 5.5) Locate each of the remaining Turnbars into position, then progressively tighten all machine screws until the Cover Plate is securely fastened onto the Frame system. **(Note: The Turnbars must be angled the same direction to allow for movement.)**
- 5.6) Repeat this installation procedure for any additional lengths of Cover Plate.

# STEP 6

## COMPLETE INSTALLATION



### Step 6:

- 6.1) When installation of the C/S Ceiling Expansion Joint Cover has been completed, remove all residue and foreign matter from the area and Joint Cover.
- 6.2) Clean the C/S Joint Cover and adjoining surfaces with proper cleaner.
- 6.3) Protect the Joint Cover until the Architect's final inspection.