



# Expansion Joint Covers

## SRJ-V & SRJW-V 300/1600 Series

### Technical Data:

#### Aluminum

- Extrusion – C/S uses multiple alloys & tempers which are established to be the most appropriate for the given use of individual parts. Will be one of the following:(6063-T5, T6, T52) (6061-T5, T6, T51) (6105-T5, T6) (6005-T5) (6005A-T5, T61)
- Sheet – 6061-T6, 3003-H14, 5005-H34, ASTM B209

#### Turnbar

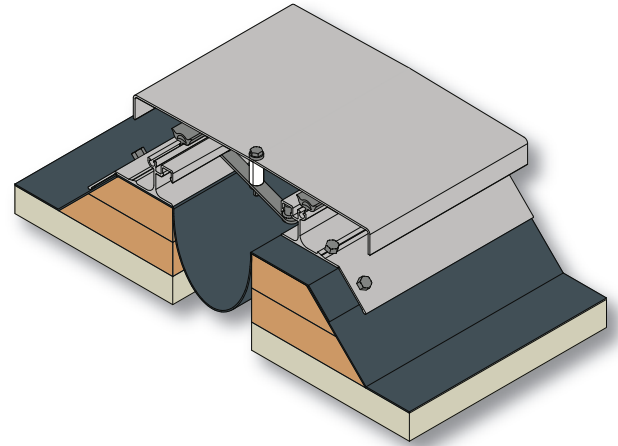
- Material – C1075 Blue Temper Spring Steel
- Hardness – RC 44-47
- Finish – “A” Coating (Corrosion protection)

#### Duroflex Gasket

- Single Durometer – 80 Shore A, ASTM D2000
- Color – Black.

#### Vapor Barrier

- Material – Polyethylene, ASTM E-1745-97
- Color – Black
- 3” Tensile Strength – 275 lbs., ASTM-882
- Puncture Strength – 72 lbs., ASTM-4833
- PPT Resistance – 45 lbs., ASTM-2582



### Product Description:

Aluminum wall covers comprised of extruded aluminum components, spring steel turnbars, duroflex gaskets and polyethylene vapor barrier.

### Use This Cover For:

- Exterior wall joint applications.

### Performance Characteristics:

Available for movement of up to 100% of joint width. Available with custom factory made transitions to ensure watertight results.

### Standard Finishes:

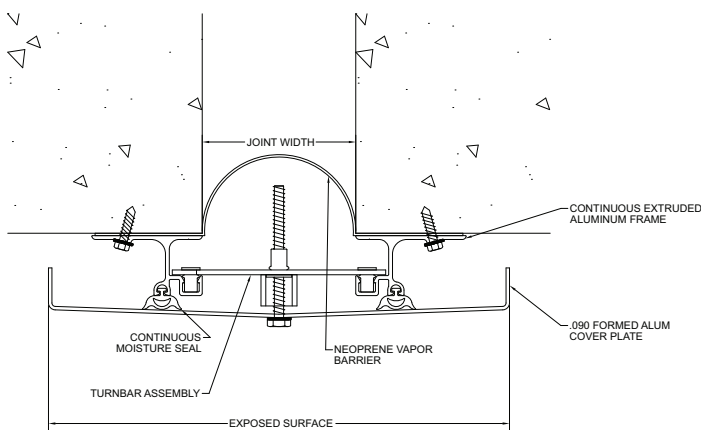
Mill finish. Powder coated or Kynar® options available.

### Installation Guidelines:

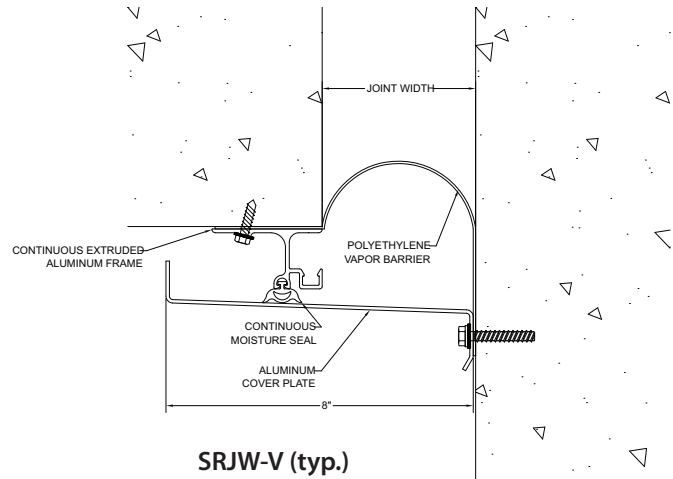
Install the frames with the C/S supplied anchor bolts. Attach cover plate using self-centering turnbars in accordance with manufacturer's instructions. (Note: all butt splices and factory made transitions to be installed in accordance with manufacturer's recommended sequencing.) For complete installation instructions, please visit [www.c-sgroup.com](http://www.c-sgroup.com).

MODEL	JOINT WIDTH	MINIMUM OPENING	MAXIMUM OPENING	EXPOSED SURFACE	BLOCKOUT WIDTH	BLOCKOUT HEIGHT
SRJ-300V	3.00" (76mm)	1.00" (25mm)	7.50" (191mm)	11.00" (279mm)	N/A	N/A
SRJ-400V	4.00" (102mm)	1.00" (25mm)	7.50" (191mm)	12.00" (305mm)	N/A	N/A
SRJ-500V	5.00" (127mm)	1.00" (25mm)	7.50" (191mm)	13.50" (343mm)	N/A	N/A
SRJ-600V	6.00" (152mm)	1.00" (25mm)	11.75" (298mm)	15.00" (381mm)	N/A	N/A
SRJ-700V	7.00" (178mm)	1.00" (25mm)	12.50" (318mm)	16.50" (419mm)	N/A	N/A
SRJ-800V	8.00" (203mm)	1.00" (25mm)	12.50" (318mm)	18.00" (457mm)	N/A	N/A
SRJ-900V	9.00" (229mm)	1.00" (25mm)	16.25" (413mm)	19.50" (495mm)	N/A	N/A
SRJ-1000V	10.00" (254mm)	1.00" (25mm)	16.75" (425mm)	21.00" (533mm)	N/A	N/A
SRJ-1100V	11.00" (279mm)	1.00" (25mm)	16.75" (425mm)	22.50" (572mm)	N/A	N/A
SRJ-1200V	12.00" (305mm)	1.00" (25mm)	20.75" (527mm)	24.00" (610mm)	N/A	N/A
SRJ-1300V	13.00" (330mm)	1.00" (25mm)	21.00" (533mm)	25.50" (648mm)	N/A	N/A
SRJ-1400V	14.00" (356mm)	1.00" (25mm)	21.00" (533mm)	27.00" (686mm)	N/A	N/A
SRJ-1500V	15.00" (381mm)	1.00" (25mm)	24.25" (616mm)	28.50" (724mm)	N/A	N/A
SRJ-1600V	16.00" (406mm)	1.00" (25mm)	24.25" (616mm)	30.00" (762mm)	N/A	N/A
SRJW-300V	3.00" (76mm)	0.00" (0mm)	5.25" (133mm)	7.00" (178mm)	N/A	N/A
SRJW-400V	4.00" (102mm)	0.00" (0mm)	6.25" (159mm)	8.00" (203mm)	N/A	N/A
SRJW-500V	5.00" (127mm)	0.00" (0mm)	7.50" (191mm)	9.25" (235mm)	N/A	N/A
SRJW-600V	6.00" (152mm)	0.00" (0mm)	8.75" (222mm)	10.50" (267mm)	N/A	N/A
SRJW-700V	7.00" (178mm)	4.00" (102mm)	9.75" (248mm)	11.75" (298mm)	N/A	N/A
SRJW-800V	8.00" (203mm)	4.50" (114mm)	10.25" (260mm)	13.00" (330mm)	N/A	N/A
SRJW-900V	9.00" (229mm)	5.00" (127mm)	12.50" (318mm)	14.25" (362mm)	N/A	N/A
SRJW-1000V	10.00" (254mm)	5.50" (140mm)	13.25" (337mm)	15.50" (394mm)	N/A	N/A
SRJW-1100V	11.00" (279mm)	6.00" (152mm)	13.75" (349mm)	16.75" (425mm)	N/A	N/A
SRJW-1200V	12.00" (305mm)	6.50" (165mm)	16.25" (413mm)	18.00" (457mm)	N/A	N/A
SRJW-1300V	13.00" (330mm)	7.00" (178mm)	17.06" (433mm)	19.25" (489mm)	N/A	N/A
SRJW-1400V	14.00" (356mm)	7.50" (191mm)	17.50" (445mm)	20.50" (521mm)	N/A	N/A
SRJW-1500V	15.00" (381mm)	8.00" (203mm)	19.50" (495mm)	21.75" (552mm)	N/A	N/A
SRJW-1600V	16.00" (406mm)	8.50" (216mm)	20.00" (508mm)	23.00" (584mm)	N/A	N/A

Contact factory for larger sizes.



SRJ-V (typ.)



SRJW-V (typ.)