



# Expansion Joint Covers

SJP-S / SJP-B & SJPW-S / SJPW-B Series

## Technical Data:

### Aluminum

- Extrusion – 6005A-T61, 6063-T5, 6061-T5, 6105-T5, ASTM B221
- Sheet – 6061-T6, 3003-H14, 5005-H34, ASTM B209

### Bronze

- C28000 Muntz metal ASTM B455.

### Stainless Steel

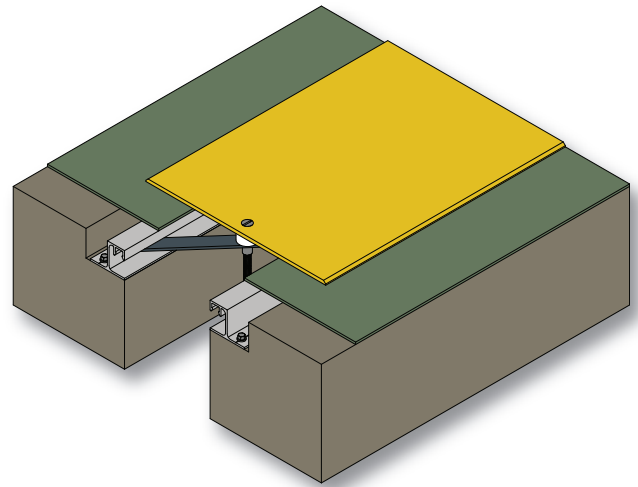
- Type 304.

### Turnbar

- Material – 1075 Blue Temper Spring Steel.
- Hardness - RC 44-47.
- Finish - "A" Coating (Corrosion Protection).

### Standard Loading

- 500 lbs.



## Product Description:

This surface mounted metal floor cover is designed for interior or exterior applications. The joint can be designed for up to 100% movement.

## Use This Cover For:

- Interior or exterior seismic applications.
- Applications requiring movements up to 100% of joint width.
- Larger sizes available (contact factory).
- Optional waterstop available for wet areas.

## Performance Characteristics:

Self-centering aluminum center plate allows for thermal movement and seismic movement.

## Standard Finishes:

Aluminum surfaces in contact with concrete will be protected with a minimum 2 mil coating of a heavy metal free high solids primer. Stainless steel – No. 4 finish. Bronze – Satin finish.

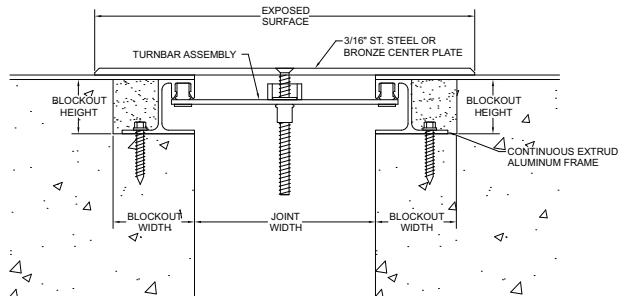
## Installation Guidelines:

The blockouts must be prepared to receive the joint cover. It is recommended that the blockout be formed a minimum of 1/8" deeper to allow the base to be leveled prior to installation of the joint cover. Apply a high-strength leveling grout to the base of the blockouts to provide a continuous, solid, flat and level base for the joint cover. (Note: The blockouts must be level across the joint opening.) Install base frames with C/S supplied fasteners. Fasten cover plate to frames with turnbar. For complete installation instructions, please visit [www.c-sgroup.com](http://www.c-sgroup.com).

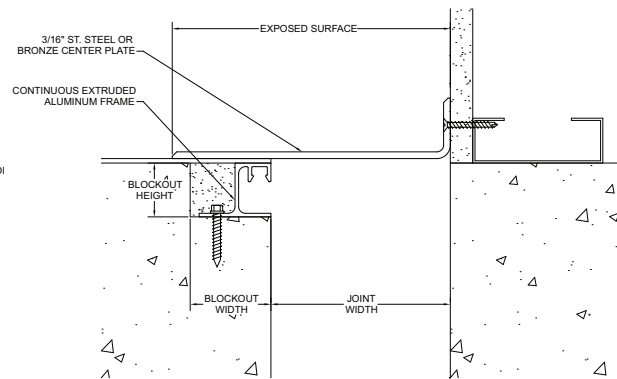
To download detail, specs & photos visit [www.c-sgroup.com](http://www.c-sgroup.com)  
For technical and design assistance call 800-233-8493.

MODEL	JOINT WIDTH	MINIMUM OPENING	MAXIMUM OPENING	EXPOSED SURFACE	BLOCKOUT WIDTH	BLOCKOUT HEIGHT
SJP-100 S/B	1.00" (25mm)	0.50" (13mm)	4.00" (102mm)	4.50" (114mm)	2.25" (57mm)	1.50" (38mm)
SJP-200 S/B	2.00" (51mm)	1.00" (25mm)	4.50" (114mm)	4.50" (114mm)	2.25" (57mm)	1.50" (38mm)
SJP-300 S/B	3.00" (76mm)	1.00" (25mm)	4.75" (121mm)	6.50" (165mm)	2.25" (57mm)	1.50" (38mm)
SJP-400 S/B	4.00" (102mm)	1.00" (25mm)	7.50" (191mm)	7.50" (191mm)	2.25" (57mm)	1.50" (38mm)
SJP-500 S/B	5.00" (127mm)	1.00" (25mm)	7.50" (191mm)	10.50" (267mm)	2.25" (57mm)	1.50" (38mm)
SJP-600 S/B	6.00" (152mm)	1.00" (25mm)	11.13" (283mm)	11.88" (302mm)	2.25" (57mm)	1.50" (38mm)
SJP-700 S/B	7.00" (178mm)	1.00" (25mm)	12.25" (311mm)	13.50" (343mm)	2.25" (57mm)	1.50" (38mm)
SJP-800 S/B	8.00" (203mm)	1.00" (25mm)	14.25" (362mm)	15.00" (381mm)	2.25" (57mm)	1.50" (38mm)
SJP-900 S/B	9.00" (229mm)	1.00" (25mm)	16.50" (419mm)	16.50" (419mm)	2.25" (57mm)	1.50" (38mm)
SJP-1000 S/B	10.00" (254mm)	1.00" (25mm)	16.75" (425mm)	17.94" (456mm)	2.25" (57mm)	1.50" (38mm)
SJP-1100 S/B	11.00" (279mm)	1.00" (25mm)	16.75" (425mm)	19.50" (495mm)	2.25" (57mm)	1.50" (38mm)
SJP-1200 S/B	12.00" (305mm)	1.00" (25mm)	21.00" (533mm)	21.00" (533mm)	2.25" (57mm)	1.50" (38mm)
SJP-1300 S/B	13.00" (330mm)	1.00" (25mm)	21.00" (533mm)	22.50" (572mm)	2.25" (57mm)	1.50" (38mm)
SJP-1400 S/B	14.00" (356mm)	1.00" (25mm)	23.75" (603mm)	23.88" (606mm)	2.25" (57mm)	1.50" (38mm)
SJP-1500 S/B	15.00" (381mm)	1.00" (25mm)	24.25" (616mm)	25.50" (648mm)	2.25" (57mm)	1.50" (38mm)
SJP-1600 S/B	16.00" (406mm)	1.00" (25mm)	24.25" (616mm)	27.00" (686mm)	2.25" (57mm)	1.50" (38mm)
SJPW-100 S/B	1.00" (25mm)	0.00" (0mm)	2.50" (64mm)	2.75" (70mm)	2.25" (57mm)	1.50" (38mm)
SJPW-200 S/B	2.00" (51mm)	0.00" (0mm)	3.25" (83mm)	3.25" (83mm)	2.25" (57mm)	1.50" (38mm)
SJPW-300 S/B	3.00" (76mm)	0.00" (0mm)	3.75" (95mm)	4.75" (121mm)	2.25" (57mm)	1.50" (38mm)
SJPW-400 S/B	4.00" (102mm)	0.00" (0mm)	5.75" (146mm)	5.75" (146mm)	2.25" (57mm)	1.50" (38mm)
SJPW-500 S/B	5.00" (127mm)	0.00" (0mm)	6.25" (159mm)	7.50" (191mm)	2.25" (57mm)	1.50" (38mm)
SJPW-600 S/B	6.00" (152mm)	0.00" (0mm)	8.50" (216mm)	9.00" (229mm)	2.25" (57mm)	1.50" (38mm)
SJPW-700 S/B	7.00" (178mm)	4.00" (102mm)	9.50" (241mm)	10.25" (260mm)	2.25" (57mm)	1.50" (38mm)
SJPW-800 S/B	8.00" (203mm)	4.50" (114mm)	10.00" (254mm)	11.50" (292mm)	2.25" (57mm)	1.50" (38mm)
SJPW-900 S/B	9.00" (229mm)	5.00" (127mm)	16.50" (419mm)	13.75" (349mm)	2.25" (57mm)	1.50" (38mm)
SJPW-1000 S/B	10.00" (254mm)	5.50" (140mm)	17.00" (432mm)	14.00" (356mm)	2.25" (57mm)	1.50" (38mm)
SJPW-1100 S/B	11.00" (279mm)	6.00" (152mm)	18.75" (476mm)	15.25" (387mm)	2.25" (57mm)	1.50" (38mm)
SJPW-1200 S/B	12.00" (305mm)	6.50" (165mm)	16.50" (419mm)	16.50" (419mm)	2.25" (57mm)	1.50" (38mm)
SJPW-1300 S/B	13.00" (330mm)	7.00" (178mm)	17.00" (432mm)	17.25" (438mm)	2.25" (57mm)	1.50" (38mm)
SJPW-1400 S/B	14.00" (356mm)	7.50" (191mm)	18.75" (476mm)	19.00" (483mm)	2.25" (57mm)	1.50" (38mm)
SJPW-1500 S/B	15.00" (381mm)	8.00" (203mm)	19.50" (495mm)	20.25" (514mm)	2.25" (57mm)	1.50" (38mm)
SJPW-1600 S/B	16.00" (406mm)	8.50" (216mm)	20.00" (508mm)	21.50" (546mm)	2.25" (57mm)	1.50" (38mm)

Contact factory for larger sizes.



SJP-S/B (TYP.)



SJPW-S/B (TYP.)