



Expansion Joint Covers

SFW-S / SFW-B
SCW-S / SCW-B

Technical Data:

Aluminum

- Extrusion – C/S uses multiple alloys & tempers which are established to be the most appropriate for the given use of individual parts. Will be one of the following:(6063-T5, T6, T52) (6061-T5, T6, T51) (6105-T5, T6) (6005-T5) (6005A-T5, T6)

Turnbar

- Material - C1075 Blue Temper Spring Steel
- Hardness - RC 44-47
- Finish - "A" Coating (Corrosion Protection)

Bronze

- C28000 Muntz Metal ASTM B455

Stainless Steel

- Type 304 ASTM A167, A240A, A240M

Product Description:

This surface mounted metal wall cover is designed for interior applications where low maintenance is desirable.

Use This Cover For:

- Interior applications to match Allway metal floor covers.
- Interior applications where low maintenance is desirable.

Performance Characteristics:

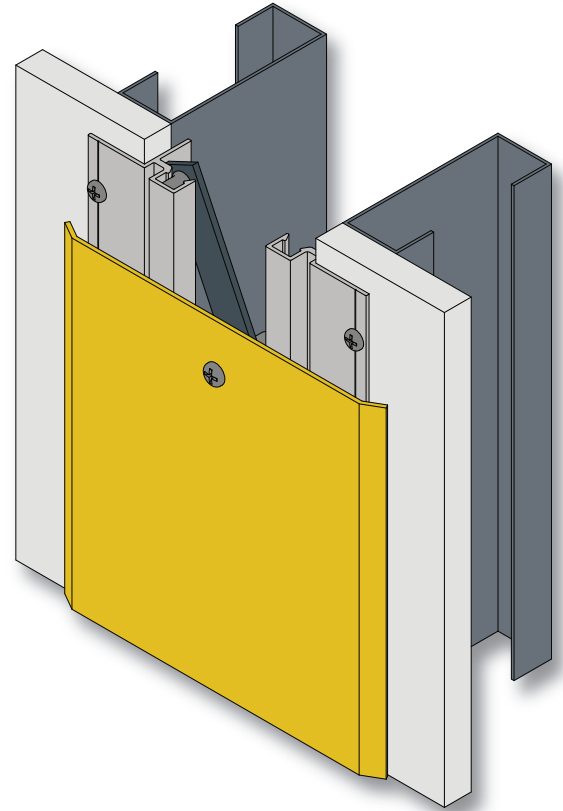
Self-centering aluminum center plate spans joint and slides between retainer assemblies to allow movement when required. Cover can be painted to match wall finish.

Standard Finishes:

Bronze – Satin Finish. Stainless Steel – No. 4 Finish.

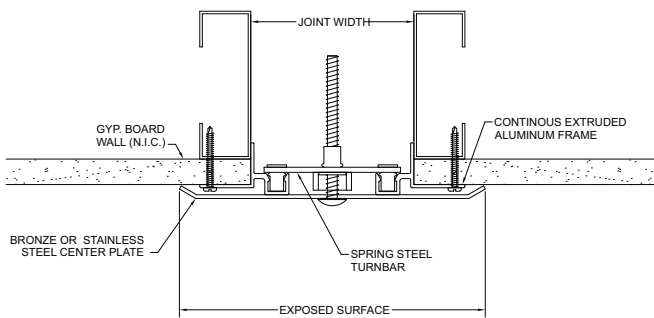
Installation Guidelines:

Install the retainer with the fasteners as supplied by C/S. This model also uses a turnbar assembly. There are some great tips in the complete C/S installation instructions. For the complete installation instructions, please visit www.c-sgroup.com.

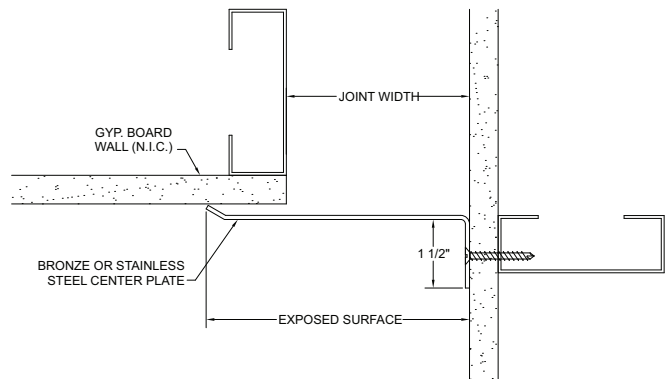


MODEL	JOINT WIDTH	MINIMUM OPENING	MAXIMUM OPENING	EXPOSED SURFACE	BLOCKOUT WIDTH	BLOCKOUT HEIGHT
SFW-400 S/B	4.00" (102mm)	2.75" (70mm)	7.25" (184mm)	7.50" (191mm)	N/A	N/A
SFW-500 S/B	5.00" (127mm)	2.75" (70mm)	9.50" (241mm)	10.50" (267mm)	N/A	N/A
SFW-600 S/B	6.00" (152mm)	2.75" (70mm)	9.50" (241mm)	11.94" (303mm)	N/A	N/A
SFW-700 S/B	7.00" (178mm)	2.75" (70mm)	13.25" (337mm)	13.50" (343mm)	N/A	N/A
SFW-800 S/B	8.00" (203mm)	2.75" (70mm)	14.75" (375mm)	15.00" (381mm)	N/A	N/A
SFW-900 S/B	9.00" (229mm)	2.75" (70mm)	14.25" (362mm)	16.50" (419mm)	N/A	N/A
SFW-1000 S/B	10.00" (254mm)	2.75" (70mm)	17.50" (445mm)	17.94" (456mm)	N/A	N/A
SFW-1100 S/B	11.00" (279mm)	2.75" (70mm)	18.50" (470mm)	19.50" (495mm)	N/A	N/A
SFW-1200 S/B	12.00" (305mm)	2.75" (70mm)	18.50" (470mm)	21.00" (533mm)	N/A	N/A
SFW-1300 S/B	13.00" (330mm)	2.75" (70mm)	22.25" (565mm)	22.50" (572mm)	N/A	N/A
SFW-1400 S/B	14.00" (356mm)	2.75" (70mm)	23.00" (584mm)	23.94" (608mm)	N/A	N/A
SFW-1500 S/B	15.00" (381mm)	2.75" (70mm)	23.00" (584mm)	25.50" (648mm)	N/A	N/A
SFW-1600 S/B	16.00" (406mm)	2.75" (70mm)	26.00" (660mm)	27.00" (686mm)	N/A	N/A
SCW-400 S/B	4.00" (102mm)	0.00" (0mm)	5.50" (140mm)	5.75" (146mm)	N/A	N/A
SCW-500 S/B	5.00" (127mm)	0.00" (0mm)	7.50" (191mm)	7.50" (191mm)	N/A	N/A
SCW-600 S/B	6.00" (152mm)	0.00" (0mm)	8.75" (222mm)	9.00" (229mm)	N/A	N/A
SCW-700 S/B	7.00" (178mm)	5.00" (127mm)	10.00" (254mm)	10.25" (260mm)	N/A	N/A
SCW-800 S/B	8.00" (203mm)	5.50" (140mm)	11.25" (286mm)	11.50" (292mm)	N/A	N/A
SCW-900 S/B	9.00" (229mm)	6.00" (152mm)	11.50" (292mm)	12.75" (324mm)	N/A	N/A
SCW-1000 S/B	10.00" (254mm)	6.50" (165mm)	13.75" (349mm)	14.00" (356mm)	N/A	N/A
SCW-1100 S/B	11.00" (279mm)	7.00" (178mm)	14.75" (375mm)	15.25" (387mm)	N/A	N/A
SCW-1200 S/B	12.00" (305mm)	7.50" (191mm)	15.25" (387mm)	16.25" (413mm)	N/A	N/A
SCW-1300 S/B	13.00" (330mm)	8.00" (203mm)	17.50" (445mm)	17.25" (438mm)	N/A	N/A
SCW-1400 S/B	14.00" (356mm)	8.50" (216mm)	18.50" (470mm)	19.00" (483mm)	N/A	N/A
SCW-1500 S/B	15.00" (381mm)	9.00" (229mm)	19.00" (483mm)	20.25" (514mm)	N/A	N/A
SCW-1600 S/B	16.00" (406mm)	9.50" (241mm)	21.00" (533mm)	21.50" (546mm)	N/A	N/A

Call factory for joints larger than 16"



SFW-S/B (TYP.)



SCW-S/B (TYP.)