



Expansion Joint Covers

SFC & SCC Series

Technical Data:

Aluminum

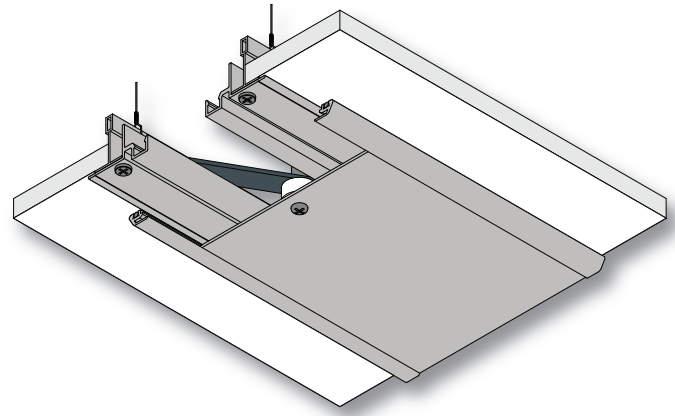
- Extrusion – C/S uses multiple alloys & tempers which are established to be the most appropriate for the given use of individual parts. Will be one of the following: (6063-T5, T6, T52) (6061-T5, T6, T51) (6105-T5, T6) (6005-T5) (6005A-T5, T61)
- Sheet – 6061-T6, 3003-H14, 5005-H34, ASTM B209

Duroflex Gasket

- Single Durometer – 80 Shore A, ASTM D2000
- Color – Gray

Turnbar

- Material – C1075 Blue Temper Spring Steel
- Hardness - RC 44-47
- Finish - "A" Coating (Corrosion Protection)



Product Description:

This surface mounted metal ceiling cover is designed for interior applications where low maintenance is desirable

Use This Cover For:

- Interior applications to match Allway metal wall covers.
- Interior applications where low maintenance is desirable.

Performance Characteristics:

Self-centering aluminum center plate spans joint and slides between frame assemblies to allow movement when required. Cover can be painted to match wall finish.

Standard Finishes:

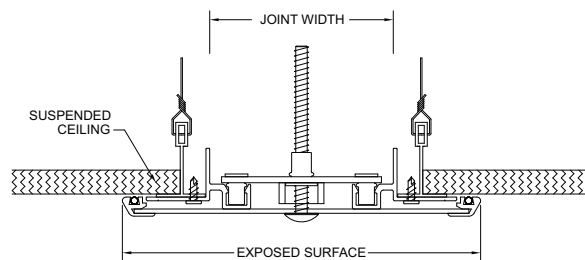
Clear anodize finish. Kynar® paint and bronze or stainless steel top plates are also available.

Installation Guidelines:

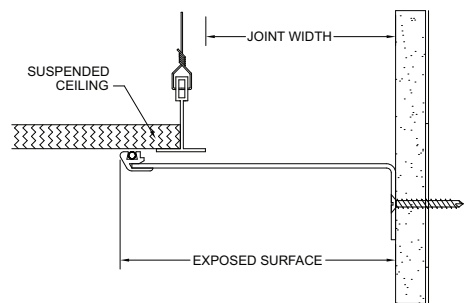
Install the frame with the fasteners as supplied by C/S. This model also uses a turnbar assembly. There are some great tips in the complete C/S installation instructions. For the complete installation instructions, please visit www.c-sgroup.com.

MODEL	JOINT WIDTH	MINIMUM OPENING	MAXIMUM OPENING	EXPOSED SURFACE	BLOCKOUT WIDTH	BLOCKOUT HEIGHT
SFC-400	4.00" (102mm)	2.75" (70mm)	7.25" (184mm)	7.50" (191mm)	N/A	N/A
SFC-500	5.00" (127mm)	2.75" (70mm)	9.50" (241mm)	10.50" (267mm)	N/A	N/A
SFC-600	6.00" (152mm)	2.75" (70mm)	9.50" (241mm)	11.94" (303mm)	N/A	N/A
SFC-700	7.00" (178mm)	2.75" (70mm)	13.25" (337mm)	13.50" (343mm)	N/A	N/A
SFC-800	8.00" (203mm)	2.75" (70mm)	14.75" (375mm)	15.00" (381mm)	N/A	N/A
SFC-900	9.00" (229mm)	2.75" (70mm)	14.25" (362mm)	16.50" (419mm)	N/A	N/A
SFC-1000	10.00" (254mm)	2.75" (70mm)	17.50" (445mm)	17.94" (456mm)	N/A	N/A
SFC-1100	11.00" (279mm)	2.75" (70mm)	18.50" (470mm)	19.50" (495mm)	N/A	N/A
SFC-1200	12.00" (305mm)	2.75" (70mm)	18.50" (470mm)	21.00" (533mm)	N/A	N/A
SFC-1300	13.00" (330mm)	2.75" (70mm)	22.25" (565mm)	22.50" (572mm)	N/A	N/A
SFC-1400	14.00" (356mm)	2.75" (70mm)	23.00" (584mm)	23.94" (608mm)	N/A	N/A
SFC-1500	15.00" (381mm)	2.75" (70mm)	23.00" (584mm)	25.50" (648mm)	N/A	N/A
SFC-1600	16.00" (406mm)	2.75" (70mm)	26.00" (660mm)	27.00" (686mm)	N/A	N/A
SCC-400	4.00" (102mm)	0.00" (0mm)	5.50" (140mm)	5.75" (146mm)	N/A	N/A
SCC-500	5.00" (127mm)	0.00" (0mm)	7.50" (191mm)	7.50" (191mm)	N/A	N/A
SCC-600	6.00" (152mm)	0.00" (0mm)	8.75" (222mm)	9.00" (229mm)	N/A	N/A
SCC-700	7.00" (178mm)	5.00" (127mm)	10.00" (254mm)	10.25" (260mm)	N/A	N/A
SCC-800	8.00" (203mm)	5.50" (140mm)	11.25" (286mm)	11.50" (292mm)	N/A	N/A
SCC-900	9.00" (229mm)	6.00" (152mm)	11.50" (292mm)	12.75" (324mm)	N/A	N/A
SCC-1000	10.00" (254mm)	6.50" (165mm)	13.75" (349mm)	14.00" (356mm)	N/A	N/A
SCC-1100	11.00" (279mm)	7.00" (178mm)	14.75" (375mm)	15.25" (387mm)	N/A	N/A
SCC-1200	12.00" (305mm)	7.50" (191mm)	15.25" (387mm)	16.50" (419mm)	N/A	N/A
SCC-1300	13.00" (330mm)	8.00" (203mm)	17.50" (445mm)	17.25" (438mm)	N/A	N/A
SCC-1400	14.00" (356mm)	8.50" (216mm)	18.50" (470mm)	19.00" (483mm)	N/A	N/A
SCC-1500	15.00" (381mm)	9.00" (229mm)	19.00" (483mm)	20.25" (514mm)	N/A	N/A
SCC-1600	16.00" (406mm)	9.50" (241mm)	21.00" (533mm)	21.50" (546mm)	N/A	N/A

For larger size joints, call (800) 233-8493 or visit www.c-sgroup.com



SFC (TYP.)



SCC (TYP.)