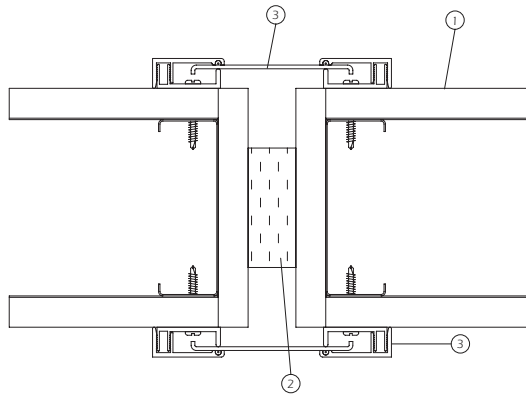


# Reflex<sup>®</sup> 1" Wall



UL<sup>®</sup> Classification  
1-Hour Rated

UL SYSTEM NO. WW-D-0059



- 1. Wall Assembly** — The 1 hr fire rated framed gypsum wallboard wall assembly shall be constructed of the materials and in the manner specified in the individual U300 or U400 Series Wall and Partition Designs in the UL Fire Resistance Directory and shall include the following construction features:
  - A. Studs** — Steel studs to be min 3-1/2 in. (89 mm) wide and spaced max 24 in. (610 mm) OC. Wood studs to be nom 2 by 4 in. (51 by 102 mm) lumber spaced max 16 in. (406 mm) OC.
  - B. Gypsum Board\*** — Gypsum board sheets to be installed to a min total thickness of 5/8 in. (16 mm) on each side of wall and on each stud face within joint opening.
- 2. Mechanical Joint Assembly\*** — Nom width of joint (at time of installation of joint system) is 1 in. (25 mm). The joint system fire barrier consists of an insulation block. The joint system fire barrier shall be installed in accordance with the installation instructions accompanying the units.

**CONSTRUCTION SPECIALTIES INC** — RFX-1W
- 3. Joint Cover** — Min 0.030 in. thick joint cover formed of aluminum, bronze, stainless steel or galv steel. Joint covers anchored to each side of wall on both sides of joint opening, continuous over entire length of joint, in accordance with the manufacturer's installation instructions. As an alternate, in the area from the finished ceiling to the floor above, a cover consisting of a creased sheet of min 2 mil stainless steel foil secured with 1 in. wide continuous galv steel washer strips along each side of the joint opening may be used.

\*Bearing the UL Classification Mark

UL Label †



†APPLIED TO FIRE BARRIER MATERIAL