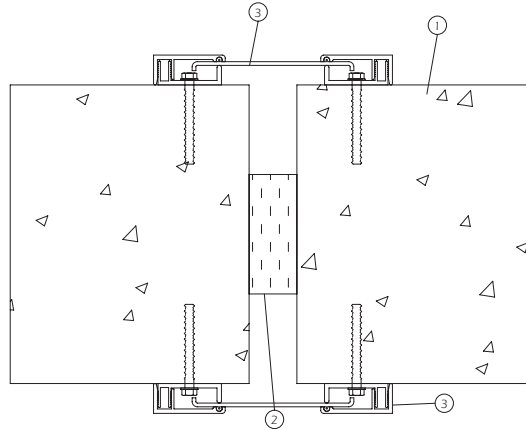


Reflex[®] 1" Wall



UL[®] Classification
2-Hour Rated

UL SYSTEM NO. WW-D-0049



1. **Wall Assembly** — Min 6 in. (152 mm) thick lightweight or normal weight (100-150 pcf or 1600-2400 kg/m³) reinforced structural concrete. Wall may also be constructed of any UL Classified **Concrete Blocks***.

See **Concrete Blocks** (CAZT) category in the Fire Resistance Directory for names of manufacturers.

2. **Mechanical Joint Assembly*** — Nom width of joint (at time of installation of joint system) is 1 in. (25 mm). The joint system fire barrier consists of an insulation block. The joint system fire barrier shall be installed in accordance with the installation instructions accompanying the units.

CONSTRUCTION SPECIALTIES INC — RFX-1W

3. **Joint Cover** — Min 0.030 in. thick joint cover formed of aluminum, bronze, stainless steel or galv steel. Joint covers anchored to each side of wall on both sides of joint opening, continuous over entire length of joint, in accordance with the manufacturer's installation instructions. As an alternate, in the area from the finished ceiling to the floor above, a cover consisting of a creased sheet of min 2 mil stainless steel foil secured with 1 in. wide continuous galv steel washer strips along each side of the joint opening may be used.

*Bearing the UL Classification Mark

UL Label †



†APPLIED TO FIRE BARRIER MATERIAL