



Expansion Joint Covers

PTC & PTCW Series

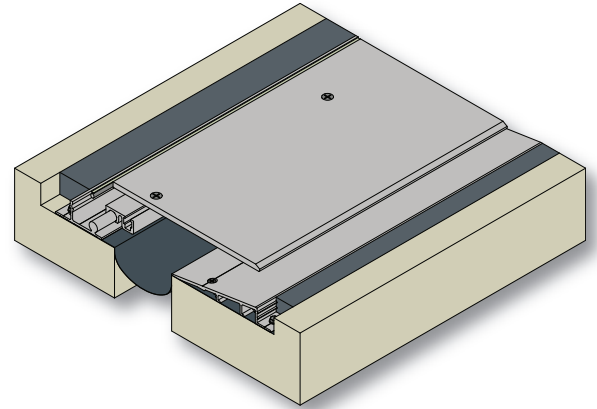
Technical Data:

Aluminum

- Extrusion – C/S uses multiple alloys & tempers which are established to be the most appropriate for the given use of individual parts. Will be one of the following:(6063-T5, T6, T52) (6061-T5, T6, T51) (6105-T5, T6) (6005-T5) (6005A-T5, T61)
- Sheet – 6061-T6, 3003 H14, 5005 H34, ASTM-B209.

Vapor Barrier

- Material – Polyethylene
- Color – Black
- 3" Tensile Strength – 275 lbs., ASTM-882
- Puncture Strength – 72 lbs., ASTM-4833
- PPT Resistance – 45 lbs., ASTM-2583



Product Description:

PTC and PTCW are seismic floor covers specifically designed for parking structure application. These systems are designed to accommodate seismic and live load movements including vertical deflection of the adjacent floor slab. These systems are ADA compliant with moisture and fire barrier options available.

Use This Cover For:

- Seismic applications in parking and other areas with vehicular access.
- Structures with lots of vertical deflection.

Performance Characteristics:

The design of PTC parking expansion joint cover allows for the vertical displacement of the adjacent floor slabs without the damage often found in conventional seismic cover systems. The unique damper system prevents the cover from "clunking" noisily from side-to-side under dynamic traffic loads.

Standard Finishes:

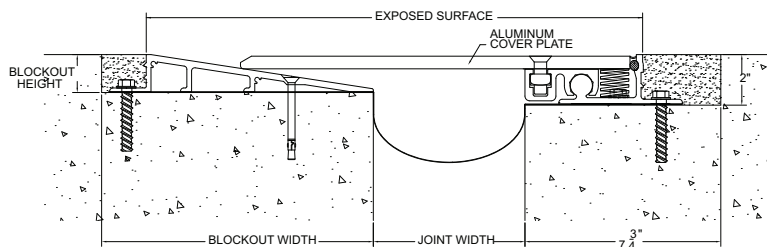
Mill finish.

Installation Guidelines:

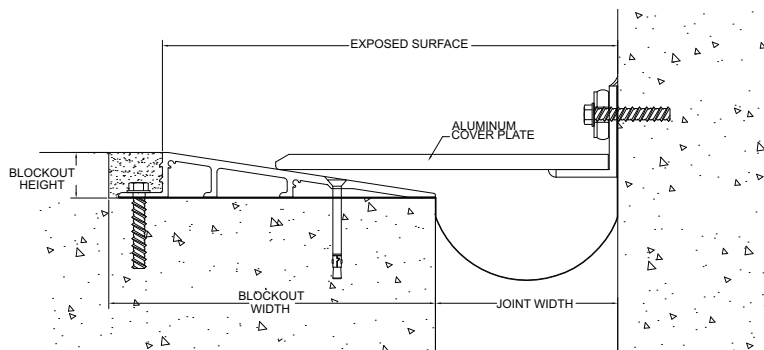
Joint Width and Blockout sizes must be in accordance with the architectural details and C/S shop drawings before installation can begin. Blockouts must be flat and level. All repairs to the mounting surfaces must be done prior to the installation of the joint cover system. Apply waterstop to joint opening and bottom of blockout. Install base frame & sloped frame over waterstop. Set compression springs as shown and apply cover plate. For complete installation instructions, please visit www.c-sgroup.com.

To download detail, specs & photos visit www.c-sgroup.com
For technical and design assistance call 800-233-8493.

| MODEL | JOINT WIDTH | MINIMUM OPENING | MAXIMUM OPENING | EXPOSED SURFACE | BLOCKOUT WIDTH | BLOCKOUT HEIGHT |
|-----------|----------------|-----------------|-----------------|-----------------|----------------|-----------------|
| PTC-600 | 6.00" (152mm) | 0.00" (0mm) | 11.00" (279mm) | 19.63" (498mm) | 10.75" (273mm) | 1.50" (38mm) |
| PTC-700 | 7.00" (178mm) | 0.00" (0mm) | 12.00" (305mm) | 20.63" (524mm) | 10.75" (273mm) | 1.50" (38mm) |
| PTC-800 | 8.00" (203mm) | 0.00" (0mm) | 13.00" (330mm) | 21.63" (549mm) | 10.75" (273mm) | 1.50" (38mm) |
| PTC-900 | 9.00" (229mm) | 0.00" (0mm) | 14.00" (356mm) | 22.63" (575mm) | 10.75" (273mm) | 1.50" (38mm) |
| PTC-1000 | 10.00" (254mm) | 0.00" (0mm) | 16.00" (406mm) | 24.63" (625mm) | 10.75" (273mm) | 1.50" (38mm) |
| PTC-1100 | 11.00" (279mm) | 0.00" (0mm) | 17.00" (432mm) | 25.88" (657mm) | 12.00" (305mm) | 1.50" (38mm) |
| PTC-1200 | 12.00" (305mm) | 0.00" (0mm) | 19.00" (483mm) | 27.38" (695mm) | 12.50" (318mm) | 1.50" (38mm) |
| PTC-1300 | 13.00" (330mm) | 0.00" (0mm) | 20.50" (521mm) | 28.88" (733mm) | 13.00" (330mm) | 1.50" (38mm) |
| PTC-1400 | 14.00" (356mm) | 0.00" (0mm) | 22.00" (559mm) | 30.38" (772mm) | 13.50" (343mm) | 1.50" (38mm) |
| PTC-1500 | 15.00" (381mm) | 0.00" (0mm) | 23.50" (597mm) | 31.88" (810mm) | 14.00" (356mm) | 1.50" (38mm) |
| PTC-1600 | 16.00" (406mm) | 0.00" (0mm) | 25.00" (635mm) | 33.38" (848mm) | 14.50" (368mm) | 1.50" (38mm) |
| PTCW-600 | 6.00" (152mm) | 0.00" (0mm) | 11.25" (286mm) | 15.00" (381mm) | 10.75" (273mm) | 1.50" (38mm) |
| PTCW-700 | 7.00" (178mm) | 0.00" (0mm) | 12.25" (311mm) | 16.00" (406mm) | 10.75" (273mm) | 1.50" (38mm) |
| PTCW-800 | 8.00" (203mm) | 0.00" (0mm) | 13.25" (337mm) | 17.00" (432mm) | 10.75" (273mm) | 1.50" (38mm) |
| PTCW-900 | 9.00" (229mm) | 0.00" (0mm) | 14.25" (362mm) | 18.00" (457mm) | 10.75" (273mm) | 1.50" (38mm) |
| PTCW-1000 | 10.00" (254mm) | 0.00" (0mm) | 16.25" (413mm) | 20.00" (508mm) | 10.75" (273mm) | 1.50" (38mm) |
| PTCW-1100 | 11.00" (279mm) | 0.00" (0mm) | 17.50" (445mm) | 21.25" (540mm) | 12.00" (305mm) | 1.50" (38mm) |
| PTCW-1200 | 12.00" (305mm) | 0.00" (0mm) | 19.00" (483mm) | 22.75" (578mm) | 12.50" (318mm) | 1.50" (38mm) |
| PTCW-1300 | 13.00" (330mm) | 0.00" (0mm) | 20.50" (521mm) | 24.25" (616mm) | 13.00" (330mm) | 1.50" (38mm) |
| PTCW-1400 | 14.00" (356mm) | 0.00" (0mm) | 22.00" (559mm) | 25.75" (654mm) | 13.50" (343mm) | 1.50" (38mm) |
| PTCW-1500 | 15.00" (381mm) | 0.00" (0mm) | 23.50" (597mm) | 27.25" (692mm) | 14.00" (356mm) | 1.50" (38mm) |
| PTCW-1600 | 16.00" (406mm) | 0.00" (0mm) | 25.00" (635mm) | 28.75" (730mm) | 14.50" (368mm) | 1.50" (38mm) |



PTC (TYP.)



PTCW (TYP.)