



Expansion Joint Covers

PC & PCW Series

Technical Data:

Aluminum

- Extrusion – C/S uses multiple alloys & tempers which are established to be the most appropriate for the given use of individual parts. Will be one of the following:(6063-T5, T6, T52) (6061-T5, T6, T51) (6105-T5, T6) (6005-T5) (6005A-T5, T61)
- Sheet – 6061-T6, 3003-H14, 5005-H34, ASTM B209

Standard Loading

- 500 lbs.

Product Description:

This metal floor cover is designed for simple applications and is surface mounted over floor finishes. Custom widths and heavy duty versions are available.

Use This Cover For:

- Applications where low maintenance is desirable.
- Simple floor cover solution without complex functionality.
- Simple installation with no moving parts or blockout requirements.
- Retrofit applications

Performance Characteristics:

Single plate design is anchored to only one slab allowing movement over the adjacent slab.

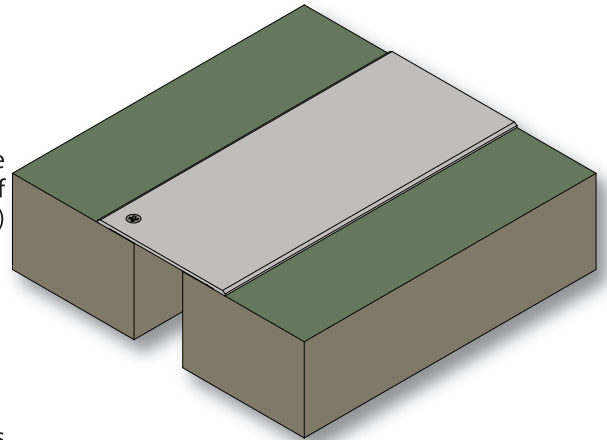
Standard Finishes:

Extruded plates clear anodized (1" – 4" models).

Formed plates mill finish (5" & larger models).

Installation Guidelines:

Cover plate is secured to floor using mechanical fasteners. For complete installation instructions, please visit www.c-sgroup.com.



MODEL	JOINT WIDTH	MINIMUM OPENING	MAXIMUM OPENING	EXPOSED SURFACE	BLOCKOUT WIDTH	BLOCKOUT HEIGHT
PC-100	1.00" (25mm)	0.00" (0mm)	2.25" (57mm)	3.75" (95mm)	N/A	N/A
PC-200	2.00" (51mm)	0.00" (0mm)	3.75" (95mm)	5.25" (133mm)	N/A	N/A
PC-300	3.00" (76mm)	0.00" (0mm)	5.25" (133mm)	6.75" (171mm)	N/A	N/A
PC-400	4.00" (102mm)	0.00" (0mm)	6.75" (171mm)	8.25" (210mm)	N/A	N/A
PC-500	5.00" (127mm)	0.00" (0mm)	8.25" (210mm)	9.75" (248mm)	N/A	N/A
PC-600	6.00" (152mm)	0.00" (0mm)	9.75" (248mm)	11.25" (286mm)	N/A	N/A
PC-700	7.00" (178mm)	0.00" (0mm)	11.25" (286mm)	12.75" (324mm)	N/A	N/A
PC-800	8.00" (203mm)	0.00" (0mm)	12.75" (324mm)	14.25" (362mm)	N/A	N/A
PC-900	9.00" (229mm)	0.00" (0mm)	14.25" (362mm)	15.75" (400mm)	N/A	N/A
PCW-100	1.00" (25mm)	0.00" (0mm)	2.25" (57mm)	2.25" (57mm)	N/A	N/A
PCW-200	2.00" (51mm)	0.00" (0mm)	3.75" (95mm)	3.75" (95mm)	N/A	N/A
PCW-300	3.00" (76mm)	0.00" (0mm)	5.25" (133mm)	5.25" (133mm)	N/A	N/A
PCW-400	4.00" (102mm)	0.00" (0mm)	6.75" (171mm)	6.75" (171mm)	N/A	N/A
PCW-500	5.00" (127mm)	0.00" (0mm)	8.25" (210mm)	8.25" (210mm)	N/A	N/A
PCW-600	6.00" (152mm)	0.00" (0mm)	9.75" (248mm)	9.75" (248mm)	N/A	N/A
PCW-700	7.00" (178mm)	0.00" (0mm)	11.25" (286mm)	11.25" (286mm)	N/A	N/A
PCW-800	8.00" (203mm)	0.00" (0mm)	12.75" (324mm)	12.75" (324mm)	N/A	N/A
PCW-900	9.00" (229mm)	0.00" (0mm)	14.25" (362mm)	13.75" (349mm)	N/A	N/A

Contact factory for larger sizes.

