



Expansion Joint Covers

PC-S / PC-B & PCW-S / PCW-B Series

Technical Data:

Bronze

- C28000 Muntz Metal ASTM B455

Stainless Steel

- Type 304 ASTM A167, A240A, A240M

Standard Loading

- 500 lbs.

Product Description:

This metal floor cover is designed for simple applications and surface mounted over floor finishes. Custom widths and heavy-duty are available.

Use This Cover For:

- Applications where low maintenance is desirable.
- Simple floor cover solution without complex functionality.
- Simple installation with no moving parts or block-out requirements.
- Retrofit applications.

Performance Characteristics:

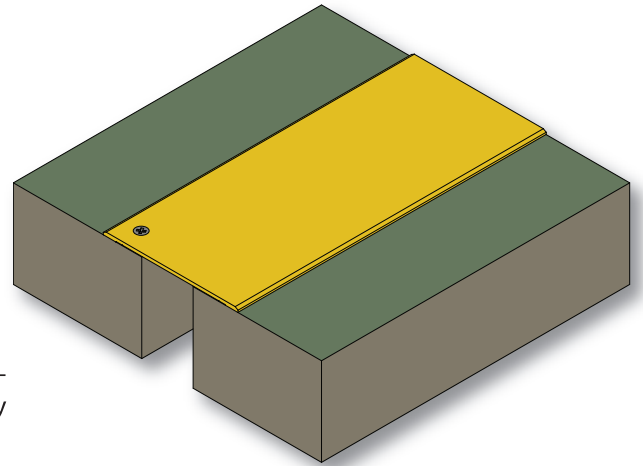
Single plate design is anchored to only one slab allowing movement over the adjacent slab.

Standard Finishes:

Stainless Steel – No. 4 finish. Bronze – Satin finish.

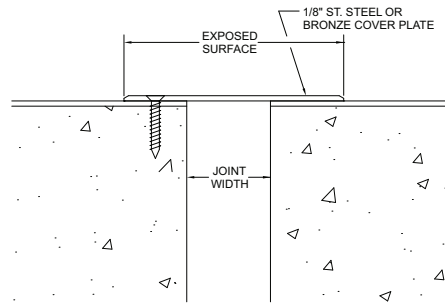
Installation Guidelines:

Cover plate is secured to floor using mechanical fasteners. For complete installation instructions, please visit www.c-sgroup.com.

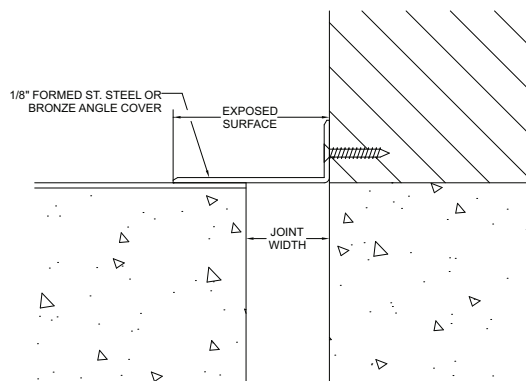


MODEL	JOINT WIDTH	MINIMUM OPENING	MAXIMUM OPENING	EXPOSED SURFACE	BLOCKOUT WIDTH	BLOCKOUT HEIGHT
PC-100 S/B	1.00" (25mm)	0.00" (0mm)	2.25" (57mm)	3.75" (95mm)	N/A	N/A
PC-200 S/B	2.00" (51mm)	0.00" (0mm)	3.75" (95mm)	5.25" (133mm)	N/A	N/A
PC-300 S/B	3.00" (76mm)	0.00" (0mm)	5.25" (133mm)	6.75" (171mm)	N/A	N/A
PC-400 S/B	4.00" (102mm)	0.00" (0mm)	6.75" (171mm)	8.25" (210mm)	N/A	N/A
PC-500 S/B	5.00" (127mm)	0.00" (0mm)	8.25" (210mm)	9.75" (248mm)	N/A	N/A
PC-600 S/B	6.00" (152mm)	0.00" (0mm)	9.75" (248mm)	11.25" (286mm)	N/A	N/A
PC-700 S/B	7.00" (178mm)	0.00" (0mm)	11.25" (286mm)	12.75" (324mm)	N/A	N/A
PC-800 S/B	8.00" (203mm)	0.00" (0mm)	12.75" (324mm)	14.25" (362mm)	N/A	N/A
PC-900 S/B	9.00" (229mm)	0.00" (0mm)	14.25" (362mm)	15.75" (400mm)	N/A	N/A
PCW-100 S/B	1.00" (25mm)	0.00" (0mm)	2.25" (57mm)	2.25" (57mm)	N/A	N/A
PCW-200 S/B	2.00" (51mm)	0.00" (0mm)	3.75" (95mm)	3.75" (95mm)	N/A	N/A
PCW-300 S/B	3.00" (76mm)	0.00" (0mm)	5.25" (133mm)	5.25" (133mm)	N/A	N/A
PCW-400 S/B	4.00" (102mm)	0.00" (0mm)	6.75" (171mm)	6.75" (171mm)	N/A	N/A
PCW-500 S/B	5.00" (127mm)	0.00" (0mm)	8.25" (210mm)	8.25" (210mm)	N/A	N/A
PCW-600 S/B	6.00" (152mm)	0.00" (0mm)	9.75" (248mm)	9.75" (248mm)	N/A	N/A
PCW-700 S/B	7.00" (178mm)	0.00" (0mm)	11.25" (286mm)	11.25" (286mm)	N/A	N/A
PCW-800 S/B	8.00" (203mm)	0.00" (0mm)	12.75" (324mm)	12.75" (324mm)	N/A	N/A
PCW-900 S/B	9.00" (229mm)	0.00" (0mm)	14.25" (362mm)	13.75" (349mm)	N/A	N/A

Contact factory for larger sizes.



PC-S/B (TYP.)



PCW-S/B (TYP.)