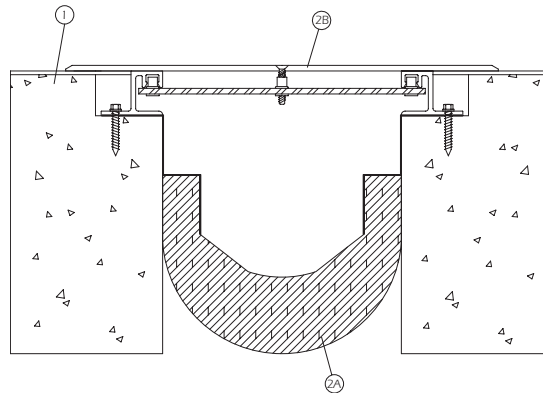


Multiflex[®] 8"-12" Floor



UL[®] Classification
2-Hour Rated

UL SYSTEM NO. FF-D-2009



1. **Floor Assembly** — Min 4-1/2 in. thick reinforced lightweight or normal weight (100-150 pcf) structural concrete.
2. **Joint System** — **Max width of joint (at time of installation of joint system) is 8, 10 or 12 in. The joint system is designed to accommodate a max 50 percent compression, extension or horizontal shear from its installed width.** The joint system consists of the following:
 - A. **Mechanical Joint Assembly** — Fire barrier material encased in corrugated metal and provided with integral galvanized steel angles. Angles are to be attached to floor with min 3/16 in. diam by 1-1/2 in. long masonry anchors spaced a max of 18 in. on center. Assembly to be installed in floor in accordance with the installation instructions provide with the product. The following assemblies are to be used with the different joint sizes:

Nom Joint Width In.	Mechanical Joint Designation
8	MFX-8F
10	MFX-10F
12	MFX-12F

CONSTRUCTION SPECIALTIES INC

- B. **Joint Cover** — Min 0.034 in. thick metallic cover plates secured to top side of floor, continuous over full length of joint. Cover plate attached to floor on one side of opening only with min 1-1/2 in. long masonry anchors spaced a max of 18 in. on center.

*Bearing the UL Classification Mark

UL Label †



†APPLIED TO FIRE BARRIER MATERIAL
* = NOM JOINT WIDTH