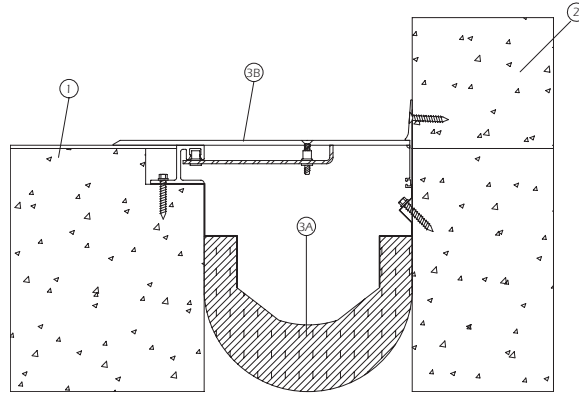


# Multiflex<sup>®</sup> 14"-20" Floor to Wall



UL<sup>®</sup> Classification  
2-Hour Rated

UL SYSTEM NO. FWD-3004



1. **Floor Assembly** — Min 4-1/2 in. thick reinforced lightweight or normal weight (100-150 pcf) structural concrete.
2. **Wall Assembly** — Min 4-1/2 in. thick reinforced lightweight or normal weight (100-150 pcf) structural concrete. Wall may also be constructed of any UL Classified **Concrete Blocks**\*.  
See **Concrete Blocks** (CAZT) category in the Fire Resistance Directory for names of manufacturers.
3. **Joint System** — **Max width of joint (at time of installation of joint system) is 14, 16, 18 or 20 in. The joint system is designed to accommodate a max 50 percent compression, extension or horizontal shear from its installed width.** The joint system consists of the following:
  - A. **Mechanical Joint Assembly** — Fire barrier material encased in corrugated metal and provided with metal flanges. Assembly to be installed in floor in accordance with the installation instructions provide with the product. The following assemblies are to be used with the different joint sizes: Nom Joint Width In. Mechanical Joint Designation

Nom Joint Width In.	Mechanical Joint Designation
14	MFX-14FW
16	MFX-16FW
18	MFX-18FW
20	MFX-20FW

## CONSTRUCTION SPECIALTIES INC

- B. **Retaining Angles** — Min 24 gauge (or heavier) galvanized steel angles installed over metal flanges of joint assembly in accordance with the installation instructions provided with the product. Angles to extend entire length of joint and are to be attached to floor with min 3/16 in. diam by 1-1/2 in. long masonry anchors spaced a max of 18 in. on center.
- C. **Retaining Clips** — Min 24 gauge galvanized steel clips installed over metal flanges of joint assembly in accordance with the installation instructions provided with the product. Clips to extend length of joint and are to be attached to wall with min 3/16 in. diam by 1-1/2 in. long masonry anchors spaced a max of 18 in. on center.
- D. **Joint Cover** — Min 0.034 in. thick metallic cover plates installed on top side of floor, continuous over full length of joint. Cover plate attached only to wall with min 1-1/2 in. long masonry anchors spaced a max of 18 in. on center.

\*Bearing the UL Classification Mark

UL Label †



†APPLIED TO FIRE BARRIER MATERIAL

\*=NOM JOINT WIDTH

1/2006

©Copyright 2006 Construction Specialties, Inc.

**C/SGROUP**

To download details and specifications visit [www.c-sgroup.com](http://www.c-sgroup.com).  
For technical and design assistance call (800) 233-8493.