



Expansion Joint Covers

KBC & KBCW Series

Technical Data:

Aluminum

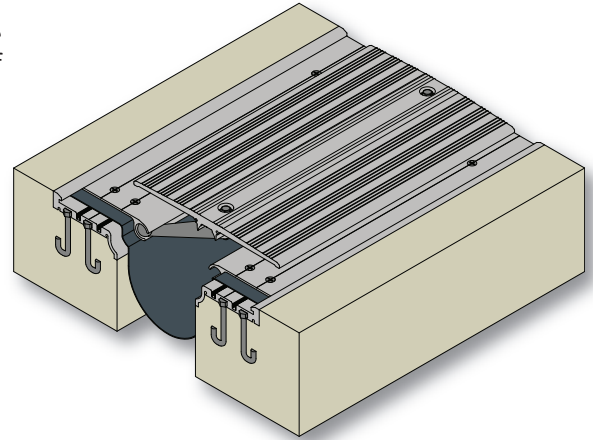
- Extrusion – C/S uses multiple alloys & tempers which are established to be the most appropriate for the given use of individual parts. Will be one of the following:(6063-T5, T6, T52) (6061-T5, T6, T51) (6105-T5, T6) (6005-T5) (6005A-T5, T61)

Vapor Barrier

- Material – Polyethylene
- Color – Black
- 3" Tensile Strength – 275 lbs., ASTM-882
- Puncture Strength – 72 lbs., ASTM-4833
- PPT Resistance – 45 lbs., ASTM-2583

Turnbar

- Cast Aluminum – SR-319-F



Product Description:

All metal expansion joint cover for parking structures designed to eliminate damage often caused by dynamic wheel loads. The unique turnbar assembly and bolt housing of the KB cover shields the assembly from damage caused by impact of vehicular traffic and allows for the vertical displacement of the adjacent floor slabs, without the damage often found in conventional seismic cover systems. This model is specifically designed for "cast in place" installation.

Use This Cover For:

- Seismic applications in parking and other areas with vehicular access.
- Standard vehicular loading (3,000 lb. point load per IBC 2009)
- Modles for increased loading (HS-20, etc.) available please consult factory
- Cast-In-Place Model designed for post-tensioned slab applications.

Performance Characteristics:

Free-floating aluminum center plate spans joint and slides between frame assemblies to allow movement when required. The design provides full impact load transference through turnbar and base frames, eliminating potential loosening and failure of center bolt – typical of other flush plate designs.

Standard Finishes:

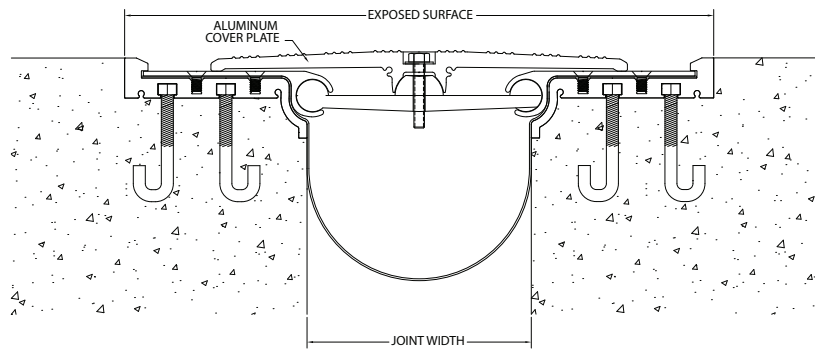
Mill finish.

Installation Guidelines:

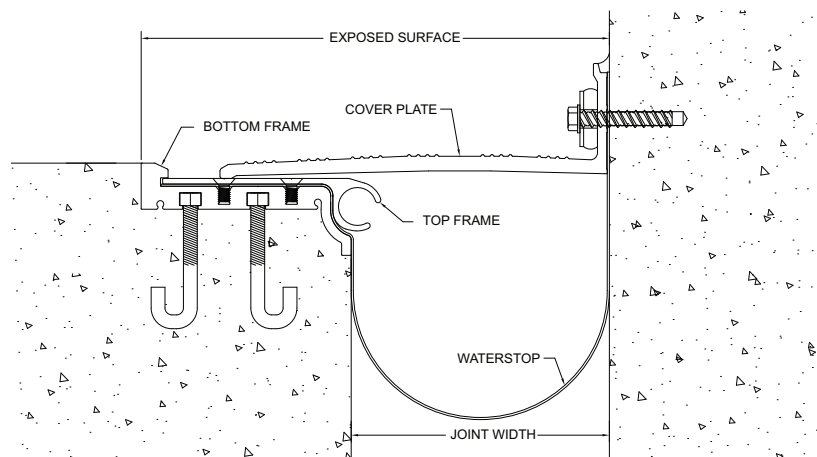
Frames require some setup for casting purposes using wood blocks and sheathing by others. Base frames get cast into concrete deck. Apply waterstop over base frame and attach top frame. Slide turnbars into frames and align with holes in center plate. Fasten center plate to turnbar with C/S supplied fasteners. For the complete installation instructions, please visit www.c-sgroup.com

To download detail, specs & photos visit www.c-sgroup.com
For technical and design assistance call 800-233-8493.

MODEL	JOINT WIDTH	MINIMUM OPENING	MAXIMUM OPENING	EXPOSED SURFACE	BLOCKOUT WIDTH	BLOCKOUT HEIGHT
KBC-400	4.00" (102mm)	1.25" (32mm)	6.50" (165mm)	11.44" (291mm)	N/A	N/A
KBC-500	5.00" (127mm)	2.50" (64mm)	9.50" (241mm)	14.44" (367mm)	N/A	N/A
KBC-600	6.00" (152mm)	2.50" (64mm)	9.50" (241mm)	15.44" (392mm)	N/A	N/A
KBC-700	7.00" (178mm)	3.25" (83mm)	12.50" (318mm)	18.38" (467mm)	N/A	N/A
KBC-800	8.00" (203mm)	3.25" (83mm)	12.50" (318mm)	19.38" (492mm)	N/A	N/A
KBC-900	9.00" (229mm)	4.00" (102mm)	16.25" (413mm)	22.44" (570mm)	N/A	N/A
KBC-1000	10.00" (254mm)	4.50" (114mm)	16.25" (413mm)	23.44" (595mm)	N/A	N/A
KBC-1100	11.00" (279mm)	5.00" (127mm)	19.00" (483mm)	26.44" (672mm)	N/A	N/A
KBC-1200	12.00" (305mm)	5.00" (127mm)	19.00" (483mm)	27.44" (697mm)	N/A	N/A
KBCW-400	4.00" (102mm)	2.75" (70mm)	5.00" (127mm)	7.75" (197mm)	N/A	N/A
KBCW-500	5.00" (127mm)	4.00" (102mm)	7.75" (197mm)	9.75" (248mm)	N/A	N/A
KBCW-600	6.00" (152mm)	4.00" (102mm)	7.75" (197mm)	10.75" (273mm)	N/A	N/A
KBCW-700	7.00" (178mm)	5.75" (146mm)	10.25" (260mm)	12.69" (322mm)	N/A	N/A
KBCW-800	8.00" (203mm)	5.75" (146mm)	10.25" (260mm)	13.69" (348mm)	N/A	N/A
KBCW-900	9.00" (229mm)	7.00" (178mm)	13.00" (330mm)	15.69" (398mm)	N/A	N/A
KBCW-1000	10.00" (254mm)	7.00" (178mm)	13.00" (330mm)	16.69" (424mm)	N/A	N/A
KBCW-1100	11.00" (279mm)	8.75" (222mm)	15.50" (394mm)	18.69" (475mm)	N/A	N/A
KBCW-1200	12.00" (305mm)	8.75" (222mm)	15.50" (394mm)	19.69" (500mm)	N/A	N/A



KBC (TYP.)



KBCW (TYP.)