



Expansion Joint Covers

KB & KBW Series

Technical Data:

Aluminum

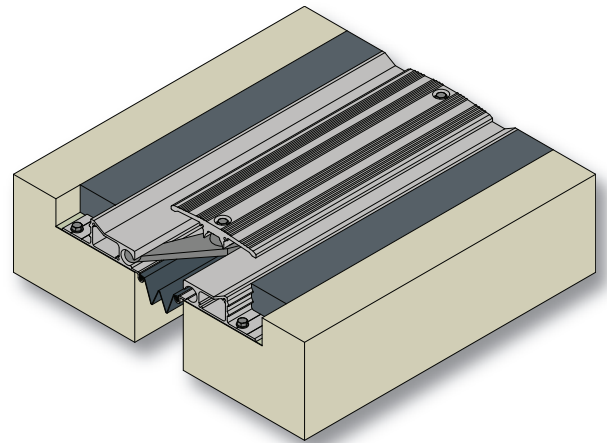
- Extrusion – C/S uses multiple alloys & tempers which are established to be the most appropriate for the given use of individual parts. Will be one of the following:(6063-T5, T6, T52) (6061-T5, T6, T51) (6105-T5, T6) (6005-T5) (6005A-T5, T61)

Vapor Barrier

- Material – Polyethylene
- Color – Black
- 3" Tensile Strength – 275 lbs., ASTM-882
- Puncture Strength – 72 lbs., ASTM-4833
- PPT Resistance – 45 lbs., ASTM-2582

Turnbar

- Cast Aluminum – SR-319F



Product Description:

All metal expansion joint cover for parking structures designed to eliminate damage often caused by dynamic wheel loads. The unique turnbar assembly and bolt housing of the KB cover shields the assembly from damage caused by impact of vehicular traffic and allows for the vertical displacement of the adjacent floor slabs, without the damage often found in conventional seismic cover systems.

Use This Cover For:

- Seismic applications in parking and other areas with vehicular access.
- Standard vehicular loading (3,000 lb. point load per IBC 2009)
- Modles for increased loading (HS-20, etc.) available please consult factory

Performance Characteristics:

Free-floating aluminum center plate spans joint and slides between frame assemblies to allow movement when required. The design provides full impact load transference through turnbar and base frames, eliminating potential loosening and failure of center bolt – typical of other flush plate designs.

Standard Finishes:

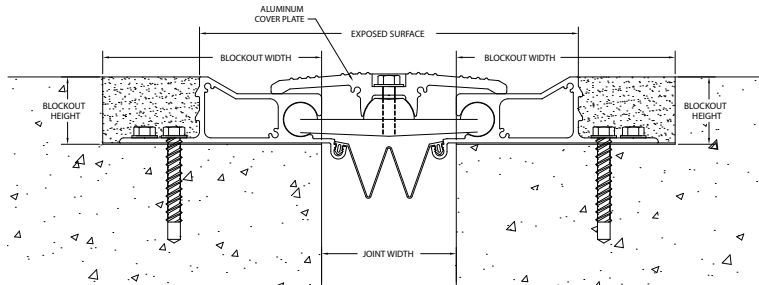
Mill finish.

Installation Guidelines:

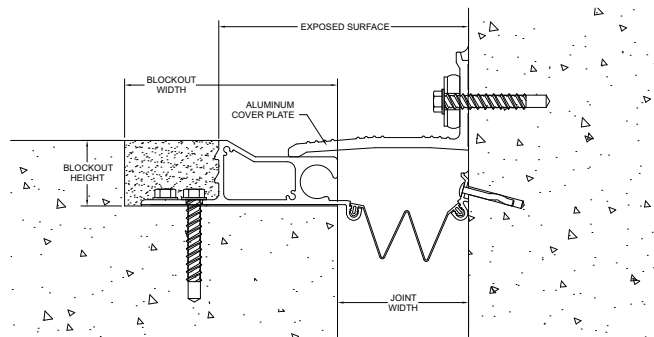
Blockouts must be flat, level and parallel. The base of the blackout must be flat (along the length of the joint) to within $\pm 1/16$ " and level (across the joint) to within $\pm 1/16$ ". Install base frames with C/S supplied fasteners and insert secondary seal. Slide turnbars into frames and align with holes in center plate. Fasten center plate to turnbar with C/S supplied fasteners. Remaining space in blockouts to be filled with elastomeric concrete. For the complete installation instructions, please visit www.c-sgroup.com.

To download detail, specs & photos visit www.c-sgroup.com
For technical and design assistance call 800-233-8493.

| MODEL | JOINT WIDTH | MINIMUM OPENING | MAXIMUM OPENING | EXPOSED SURFACE | BLOCKOUT WIDTH | BLOCKOUT HEIGHT |
|----------|----------------|-----------------|-----------------|-----------------|----------------|-----------------|
| KB-400 | 4.00" (102mm) | 2.00" (51mm) | 6.50" (165mm) | 11.25" (286mm) | 6.50" (165mm) | 2.00" (51mm) |
| KB-500 | 5.00" (127mm) | 2.00" (51mm) | 9.25" (235mm) | 15.25" (387mm) | 8.00" (203mm) | 2.00" (51mm) |
| KB-600 | 6.00" (152mm) | 2.00" (51mm) | 9.50" (241mm) | 16.25" (413mm) | 8.00" (203mm) | 2.00" (51mm) |
| KB-700 | 7.00" (178mm) | 3.00" (76mm) | 12.50" (318mm) | 19.25" (489mm) | 9.00" (229mm) | 2.00" (51mm) |
| KB-800 | 8.00" (203mm) | 3.00" (76mm) | 12.50" (318mm) | 20.25" (514mm) | 9.00" (229mm) | 2.00" (51mm) |
| KB-900 | 9.00" (229mm) | 4.50" (114mm) | 15.00" (381mm) | 23.25" (591mm) | 10.00" (254mm) | 2.00" (51mm) |
| KB-1000 | 10.00" (254mm) | 4.50" (114mm) | 15.50" (394mm) | 24.25" (616mm) | 10.00" (254mm) | 2.00" (51mm) |
| KB-1100 | 11.00" (279mm) | 5.50" (140mm) | 18.50" (470mm) | 27.25" (692mm) | 11.00" (279mm) | 2.00" (51mm) |
| KB-1200 | 12.00" (305mm) | 5.50" (140mm) | 18.50" (470mm) | 28.25" (718mm) | 11.00" (279mm) | 2.00" (51mm) |
| KBW-400 | 4.00" (102mm) | 3.00" (76mm) | 5.25" (133mm) | 7.63" (194mm) | 6.50" (165mm) | 2.00" (51mm) |
| KBW-500 | 5.00" (127mm) | 4.00" (102mm) | 7.75" (197mm) | 10.13" (257mm) | 8.00" (203mm) | 2.00" (51mm) |
| KBW-600 | 6.00" (152mm) | 4.00" (102mm) | 7.75" (197mm) | 11.13" (283mm) | 8.00" (203mm) | 2.00" (51mm) |
| KBW-700 | 7.00" (178mm) | 5.50" (140mm) | 10.25" (260mm) | 13.13" (333mm) | 9.00" (229mm) | 2.00" (51mm) |
| KBW-800 | 8.00" (203mm) | 5.50" (140mm) | 10.25" (260mm) | 14.13" (359mm) | 9.00" (229mm) | 2.00" (51mm) |
| KBW-900 | 9.00" (229mm) | 7.25" (184mm) | 12.75" (324mm) | 16.13" (410mm) | 10.00" (254mm) | 2.00" (51mm) |
| KBW-1000 | 10.00" (254mm) | 7.25" (184mm) | 12.75" (324mm) | 17.13" (435mm) | 10.00" (254mm) | 2.00" (51mm) |
| KBW-1100 | 11.00" (279mm) | 8.75" (222mm) | 15.25" (387mm) | 19.25" (489mm) | 11.00" (279mm) | 2.00" (51mm) |
| KBW-1200 | 12.00" (305mm) | 8.75" (222mm) | 15.25" (387mm) | 20.13" (511mm) | 11.00" (279mm) | 2.00" (51mm) |



KB (TYP.)



KBW (TYP.)