



Expansion Joint Covers

ESW & ESC 400/1600 Series

Technical Data:

Aluminum

- Extrusion – C/S uses multiple alloys & tempers which are established to be the most appropriate for the given use of individual parts. Will be one of the following:(6063-T5, T6, T52) (6061-T5, T6, T51) (6105-T5, T6) (6005-T5) (6005A-T5, T61)
- Sheet – 6061-T6, 3003-H14, 5005-H34, ASTM B209

Duroflex gasket

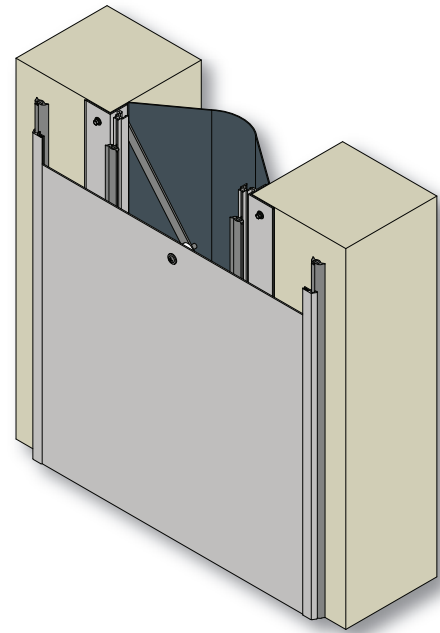
- Single Durometer – 80 Shore A, ASTM D2000
- Color – Black

Turnbar

- Material – C1075 Blue Temper Spring Steel
- Hardness – RC 44-47
- Finish – “A” Coating (Corrosion protection)

Vapor Barrier

- Material – Polyethylene
- Color – Black
- 3” Tensile Strength – 275 lbs., ASTM-882
- Puncture Strength – 72 lbs., ASTM-4833
- PPT Resistance – 45 lbs., ASTM-2582



Product Description:

ESW and ESC are aluminum exterior wall covers comprised of extruded aluminum components, spring steel turnbars, duroflex gaskets and polyethylene vapor barrier.

Use This Cover For:

- Exterior wall applications for joints 4” and larger .

Performance Characteristics:

Durable design eliminates the need for maintenance and is more vandal resistant.

Standard Finishes:

Clear anodize finish. Kynar® paint also available.

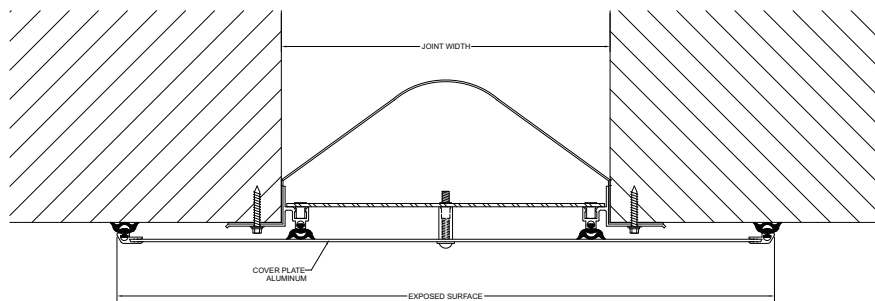
Installation Guidelines:

Attach the vapor barrier and frames to the substrate using mechanical fasteners. This model also uses a turnbar assembly. Splice plates and caulk are used to transition splices with weather tight seals. For the complete installation instructions, please visit www.c-sgroup.com.

MODEL	JOINT WIDTH	MINIMUM OPENING	MAXIMUM OPENING	EXPOSED SURFACE	BLOCKOUT WIDTH	BLOCKOUT HEIGHT
ESW-400	4.00" (102mm)	2.50" (64mm)	6.00" (152mm)	12.00" (305mm)	N/A	N/A
ESW-500	5.00" (127mm)	2.50" (64mm)	8.25" (210mm)	13.50" (343mm)	N/A	N/A
ESW-600	6.00" (152mm)	2.50" (64mm)	10.00" (254mm)	15.00" (381mm)	N/A	N/A
ESW-700	7.00" (178mm)	2.50" (64mm)	11.50" (292mm)	16.50" (419mm)	N/A	N/A
ESW-800	8.00" (203mm)	2.50" (64mm)	13.00" (330mm)	18.00" (457mm)	N/A	N/A
ESW-900	9.00" (229mm)	2.50" (64mm)	14.50" (368mm)	19.50" (495mm)	N/A	N/A
ESW-1000	10.00" (254mm)	2.50" (64mm)	16.00" (406mm)	21.00" (533mm)	N/A	N/A
ESW-1100	11.00" (279mm)	2.50" (64mm)	17.50" (445mm)	22.50" (572mm)	N/A	N/A
ESW-1200	12.00" (305mm)	2.50" (64mm)	19.00" (483mm)	24.00" (610mm)	N/A	N/A
ESW-1300	13.00" (330mm)	2.50" (64mm)	20.00" (508mm)	25.50" (648mm)	N/A	N/A
ESW-1400	14.00" (356mm)	2.50" (64mm)	22.00" (559mm)	27.00" (686mm)	N/A	N/A
ESW-1500	15.00" (381mm)	2.50" (64mm)	23.50" (597mm)	28.50" (724mm)	N/A	N/A
ESW-1600	16.00" (406mm)	2.50" (64mm)	25.00" (635mm)	30.00" (762mm)	N/A	N/A
ESC-400	4.00" (102mm)	3.25" (83mm)	6.50" (165mm)	8.00" (203mm)	N/A	N/A
ESC-500	5.00" (127mm)	3.75" (95mm)	7.50" (191mm)	9.25" (235mm)	N/A	N/A
ESC-600	6.00" (152mm)	4.25" (108mm)	8.00" (203mm)	10.50" (267mm)	N/A	N/A
ESC-700	7.00" (178mm)	4.75" (121mm)	9.25" (235mm)	11.75" (298mm)	N/A	N/A
ESC-800	8.00" (203mm)	5.25" (133mm)	10.50" (267mm)	13.00" (330mm)	N/A	N/A
ESC-900	9.00" (229mm)	5.75" (146mm)	11.75" (298mm)	14.25" (362mm)	N/A	N/A
ESC-1000	10.00" (254mm)	6.25" (159mm)	13.00" (330mm)	15.50" (394mm)	N/A	N/A
ESC-1100	11.00" (279mm)	6.75" (171mm)	14.25" (362mm)	16.75" (425mm)	N/A	N/A
ESC-1200	12.00" (305mm)	7.25" (184mm)	15.50" (394mm)	18.00" (457mm)	N/A	N/A
ESC-1300	13.00" (330mm)	7.25" (184mm)	16.75" (425mm)	19.75" (502mm)	N/A	N/A
ESC-1400	14.00" (356mm)	7.75" (197mm)	18.00" (457mm)	20.50" (521mm)	N/A	N/A
ESC-1500	15.00" (381mm)	8.25" (210mm)	19.25" (489mm)	21.75" (552mm)	N/A	N/A
ESC-1600	16.00" (406mm)	8.75" (222mm)	20.50" (521mm)	23.00" (584mm)	N/A	N/A

Contact factory for larger sizes.

ESW (Typ.)



ESC (Typ.)

