



Expansion Joint Covers

BRJ & BRJW Series

Technical Data:

Flanges (*=Optional flanges – Galvanized is standard)

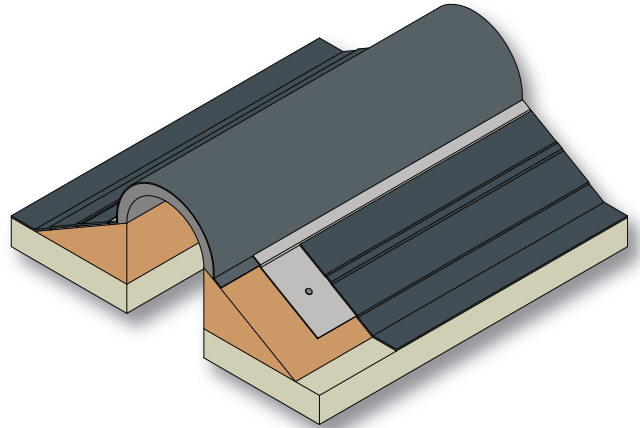
- Galvanized Steel - 26 Gage
- Stainless Steel* - 0.018"
- Aluminum* - 0.032"
- Copper* - 16 Oz..

Membrane (*=Optional material – EPDM is standard)

- EPDM – 60 Mil, Black
- Neoprene* – 60 Mil, Black

Support Foam

- K Factor – 0.25 @ Ambient
- Thickness – Varies per Joint Size



Product Description:

BRJ and BRJW are flexible roof joint covers which utilize malleable membrane applied to support foam, and are secured with a factory-attached metal flange.

Use This Cover For:

- Applications in built-up, flat or sloped roofs.
- Joint sizes from 2" to 36".
- Multi-directional movement requirements.
- Applications where exterior seals are used in walls and watertight transitions are critical.

Performance Characteristics:

The bellows material expands and contracts for multi-directional movement. Bellows roof cover system is capable of four-way movement. Optional waterstop is available. Available with factory fabricated transitions to ensure watertight results.

Standard Finishes:

Membrane – Black, Flanges – As fabricated.

Installation Guidelines:

Where intersections are required, install these first. Always start straight runs at roof edge or at intersections. Allow overhang at roof edge, equal to fascia depth. For complete installation instructions, please visit www.c-sgroup.com.

MODEL	JOINT WIDTH	MINIMUM OPENING	MAXIMUM OPENING	EXPOSED SURFACE	BLOCKOUT WIDTH	BLOCKOUT HEIGHT
BRJ-100	1.00" (25mm)	0.00" (0mm)	3.00" (76mm)	N/A	N/A	N/A
BRJ-200	2.00" (51mm)	0.00" (0mm)	3.00" (76mm)	N/A	N/A	N/A
BRJ-300	3.00" (76mm)	0.00" (0mm)	4.50" (114mm)	N/A	N/A	N/A
BRJ-400	4.00" (102mm)	0.00" (0mm)	6.00" (152mm)	N/A	N/A	N/A
BRJ-500	5.00" (127mm)	0.00" (0mm)	7.50" (191mm)	N/A	N/A	N/A
BRJ-600	6.00" (152mm)	0.00" (0mm)	9.00" (229mm)	N/A	N/A	N/A
BRJ-700	7.00" (178mm)	0.00" (0mm)	10.50" (267mm)	N/A	N/A	N/A
BRJ-800	8.00" (203mm)	0.00" (0mm)	12.00" (305mm)	N/A	N/A	N/A
BRJ-900	9.00" (229mm)	0.00" (0mm)	13.50" (343mm)	N/A	N/A	N/A
BRJ-1000	10.00" (254mm)	0.00" (0mm)	15.00" (381mm)	N/A	N/A	N/A
BRJ-1100	11.00" (279mm)	0.00" (0mm)	16.50" (419mm)	N/A	N/A	N/A
BRJ-1200	12.00" (305mm)	0.00" (0mm)	18.00" (457mm)	N/A	N/A	N/A
BRJ-1300	13.00" (330mm)	0.00" (0mm)	19.50" (495mm)	N/A	N/A	N/A
BRJ-1400	14.00" (356mm)	0.00" (0mm)	21.00" (533mm)	N/A	N/A	N/A
BRJ-1500	15.00" (381mm)	0.00" (0mm)	22.50" (572mm)	N/A	N/A	N/A
BRJ-1600	16.00" (406mm)	0.00" (0mm)	24.00" (610mm)	N/A	N/A	N/A
BRJW-100	1.00" (25mm)	0.00" (0mm)	3.00" (76mm)	N/A	N/A	N/A
BRJW-200	2.00" (51mm)	0.00" (0mm)	3.00" (76mm)	N/A	N/A	N/A
BRJW-300	3.00" (76mm)	0.00" (0mm)	4.50" (114mm)	N/A	N/A	N/A
BRJW-400	4.00" (102mm)	0.00" (0mm)	6.00" (152mm)	N/A	N/A	N/A
BRJW-500	5.00" (127mm)	0.00" (0mm)	7.50" (191mm)	N/A	N/A	N/A
BRJW-600	6.00" (152mm)	0.00" (0mm)	9.00" (229mm)	N/A	N/A	N/A
BRJW-700	7.00" (178mm)	0.00" (0mm)	10.50" (267mm)	N/A	N/A	N/A
BRJW-800	8.00" (203mm)	0.00" (0mm)	12.00" (305mm)	N/A	N/A	N/A
BRJW-900	9.00" (229mm)	0.00" (0mm)	13.50" (343mm)	N/A	N/A	N/A
BRJW-1000	10.00" (254mm)	0.00" (0mm)	15.00" (381mm)	N/A	N/A	N/A
BRJW-1100	11.00" (279mm)	0.00" (0mm)	16.50" (419mm)	N/A	N/A	N/A
BRJW-1200	12.00" (305mm)	0.00" (0mm)	18.00" (457mm)	N/A	N/A	N/A
BRJW-1300	13.00" (330mm)	0.00" (0mm)	19.50" (495mm)	N/A	N/A	N/A
BRJW-1400	14.00" (356mm)	0.00" (0mm)	21.00" (533mm)	N/A	N/A	N/A
BRJW-1500	15.00" (381mm)	0.00" (0mm)	22.50" (572mm)	N/A	N/A	N/A
BRJW-1600	16.00" (406mm)	0.00" (0mm)	24.00" (610mm)	N/A	N/A	N/A

Contact factory for larger sizes.

