



# Expansion Joint Covers

## BRJ-WC & BRJW-WC 200/1600 Series

### Technical Data:

**Flanges** (\*=Optional flanges – Galvanized is standard)

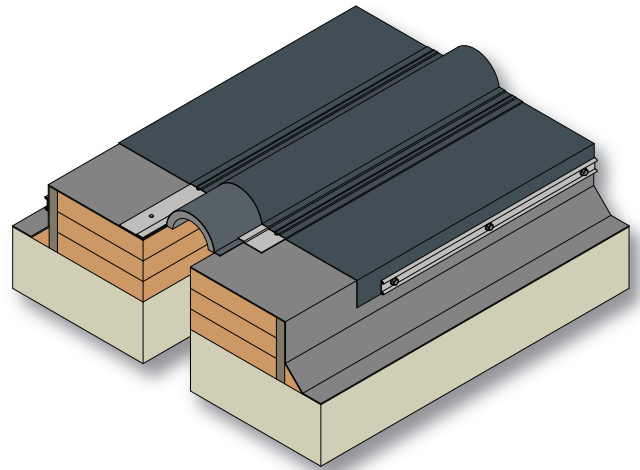
- Galvanized Steel - 26 Gage
- Stainless Steel\* - 0.018"
- Aluminum\* - 0.032"
- Copper\* - 16 Oz.

**Membrane** (\*=Optional material – EPDM is standard)

- EPDM – 60 Mil, Black
- Neoprene\* – 60 Mil, Black

### Support Foam

- K Factor – 0.25 @ Ambient
- Thickness – Varies per Joint Size



### Product Description:

BRJ and BRJW are flexible roof joint covers which utilize malleable membrane applied to support foam, and are secured with a factory-attached metal flange.

### Use This Cover For:

- Applications in built-up, flat or sloped roofs.
- Joint sizes from 2" to 36."
- Multi-directional movement requirements.
- Applications where exterior seals are used in walls and watertight transitions are critical.

### Performance Characteristics:

The bellows material expands and contracts for multi-directional movement. Bellows roof cover system is capable of four-way movement. Optional waterstop is available. Available with factory fabricated transitions to ensure watertight results.

### Standard Finishes:

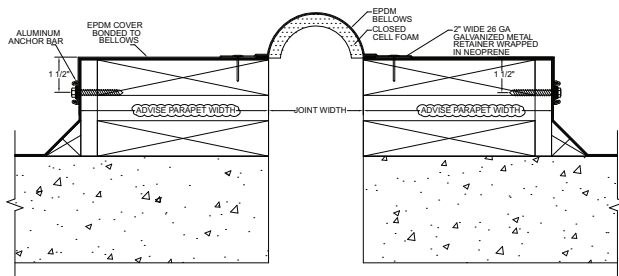
Membrane – Black, Flanges – As fabricated.

### Installation Guidelines:

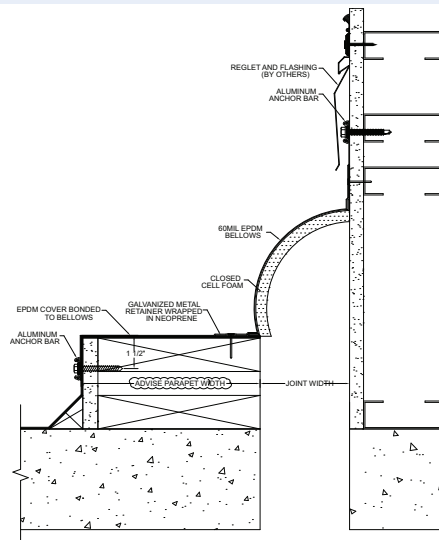
Where intersections are required, install these first. Always start straight runs at roof edge or at intersections. Allow overhang at roof edge, equal to fascia depth. For complete installation instructions, please visit [www.c-sgroup.com](http://www.c-sgroup.com).

MODEL	JOINT WIDTH	MINIMUM OPENING	MAXIMUM OPENING	EXPOSED SURFACE	BLOCKOUT WIDTH	BLOCKOUT HEIGHT
BRJ-100 WC	1.00" (25mm)	0.00" (0mm)	3.00" (76mm)	N/A	N/A	N/A
BRJ-200 WC	2.00" (51mm)	0.00" (0mm)	3.00" (76mm)	N/A	N/A	N/A
BRJ-300 WC	3.00" (76mm)	0.00" (0mm)	4.50" (114mm)	N/A	N/A	N/A
BRJ-400 WC	4.00" (102mm)	0.00" (0mm)	6.00" (152mm)	N/A	N/A	N/A
BRJ-500 WC	5.00" (127mm)	0.00" (0mm)	7.50" (191mm)	N/A	N/A	N/A
BRJ-600 WC	6.00" (152mm)	0.00" (0mm)	9.00" (229mm)	N/A	N/A	N/A
BRJ-700 WC	7.00" (178mm)	0.00" (0mm)	10.50" (267mm)	N/A	N/A	N/A
BRJ-800 WC	8.00" (203mm)	0.00" (0mm)	12.00" (305mm)	N/A	N/A	N/A
BRJ-900 WC	9.00" (229mm)	0.00" (0mm)	13.50" (343mm)	N/A	N/A	N/A
BRJ-1000 WC	10.00" (254mm)	0.00" (0mm)	15.00" (381mm)	N/A	N/A	N/A
BRJ-1100 WC	11.00" (279mm)	0.00" (0mm)	16.50" (419mm)	N/A	N/A	N/A
BRJ-1200 WC	12.00" (305mm)	0.00" (0mm)	18.00" (457mm)	N/A	N/A	N/A
BRJ-1300 WC	13.00" (330mm)	0.00" (0mm)	19.50" (495mm)	N/A	N/A	N/A
BRJ-1400 WC	14.00" (356mm)	0.00" (0mm)	21.00" (533mm)	N/A	N/A	N/A
BRJ-1500 WC	15.00" (381mm)	0.00" (0mm)	22.50" (572mm)	N/A	N/A	N/A
BRJ-1600 WC	16.00" (406mm)	0.00" (0mm)	24.00" (610mm)	N/A	N/A	N/A
BRJW-100 WC	1.00" (25mm)	0.00" (0mm)	3.00" (76mm)	N/A	N/A	N/A
BRJW-200 WC	2.00" (51mm)	0.00" (0mm)	3.00" (76mm)	N/A	N/A	N/A
BRJW-300 WC	3.00" (76mm)	0.00" (0mm)	4.50" (114mm)	N/A	N/A	N/A
BRJW-400 WC	4.00" (102mm)	0.00" (0mm)	6.00" (152mm)	N/A	N/A	N/A
BRJW-500 WC	5.00" (127mm)	0.00" (0mm)	7.50" (191mm)	N/A	N/A	N/A
BRJW-600 WC	6.00" (152mm)	0.00" (0mm)	9.00" (229mm)	N/A	N/A	N/A
BRJW-700 WC	7.00" (178mm)	0.00" (0mm)	10.50" (267mm)	N/A	N/A	N/A
BRJW-800 WC	8.00" (203mm)	0.00" (0mm)	12.00" (305mm)	N/A	N/A	N/A
BRJW-900 WC	9.00" (229mm)	0.00" (0mm)	13.50" (343mm)	N/A	N/A	N/A
BRJW-1000 WC	10.00" (254mm)	0.00" (0mm)	15.00" (381mm)	N/A	N/A	N/A
BRJW-1100 WC	11.00" (279mm)	0.00" (0mm)	16.50" (419mm)	N/A	N/A	N/A
BRJW-1200 WC	12.00" (305mm)	0.00" (0mm)	18.00" (457mm)	N/A	N/A	N/A
BRJW-1300 WC	13.00" (330mm)	0.00" (0mm)	19.50" (495mm)	N/A	N/A	N/A
BRJW-1400 WC	14.00" (356mm)	0.00" (0mm)	21.00" (533mm)	N/A	N/A	N/A
BRJW-1500 WC	15.00" (381mm)	0.00" (0mm)	22.50" (572mm)	N/A	N/A	N/A
BRJW-1600 WC	16.00" (406mm)	0.00" (0mm)	24.00" (610mm)	N/A	N/A	N/A

Contact factory for larger sizes.



BRJ-WC (typ.)



BRJW-WC (typ.)