



Expansion Joint Covers

ALS & ALSW Series

Technical Data:

Aluminum

- Extrusion – C/S uses multiple alloys & tempers which are established to be the most appropriate for the given use of individual parts. Will be one of the following: (6063-T5, T6, T52) (6061-T5, T6, T51) (6105-T5, T6) (6005-T5) (6005A-T5, T61)

Standard Loading

- 500 lbs.

Product Description:

This all metal cover is ideal where low maintenance is desirable and for tamper-proof applications. Serrated side plates create a more flush finish but impact visibility.

Use This Cover For:

- Applications where low maintenance is desirable or for tamper-proof applications.
- Suitable for most floor finishes.
- Optional waterstop available for wet areas.

Performance Characteristics:

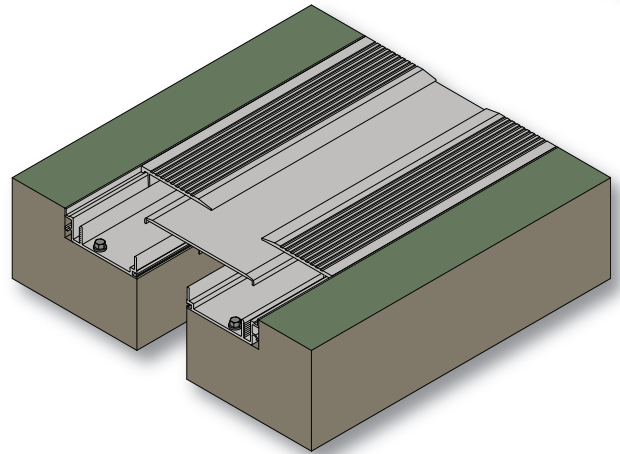
Free-floating aluminum center plate spans joint and slides between frame assemblies to allow movement when required.

Standard Finishes:

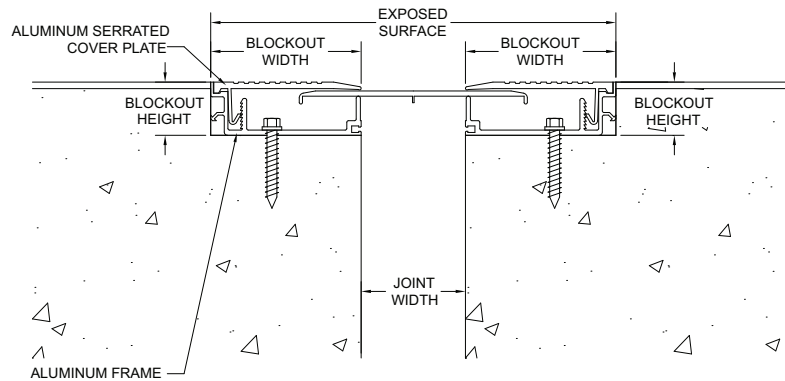
Mill finish. Aluminum in contact with concrete/masonry will have a 2 mil heavy metal free high solids primer.

Installation Guidelines:

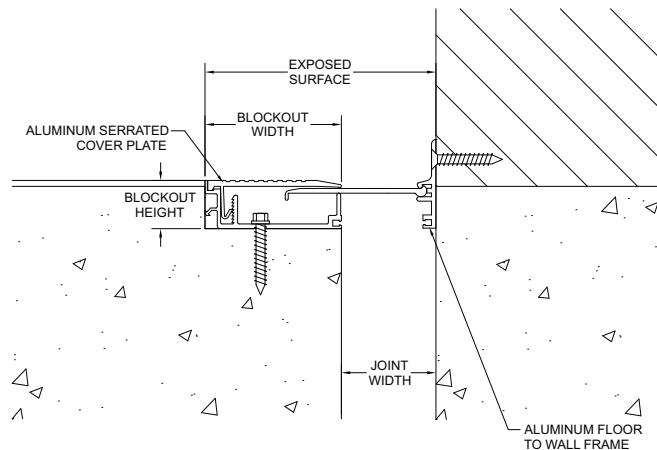
The blockouts must be prepared to receive the joint cover. It is recommended that the blockout be formed a minimum of 1/8" deeper to allow the base to be leveled prior to installation of the joint cover. Apply a high-strength leveling grout to the base of the blockouts to provide a continuous, solid, flat and level base for the joint cover. (Note: The blockouts must be level across the joint opening.) Install base frames with C/S supplied fasteners. Set center plate over frames and snap cover plates into base frames. For complete installation instructions, please visit www.c-sgroup.com.



MODEL	JOINT WIDTH	MINIMUM OPENING	MAXIMUM OPENING	EXPOSED SURFACE	BLOCKOUT WIDTH	BLOCKOUT HEIGHT
ALS-100	1.00" (25mm)	0.00" (0mm)	2.25" (57mm)	5.00" (127mm)	2.00" (51mm)	1.00" (25mm)
ALS-200	2.00" (51mm)	0.00" (0mm)	4.00" (102mm)	7.75" (197mm)	2.88" (73mm)	1.00" (25mm)
ALS-300	3.00" (76mm)	0.88" (22mm)	6.00" (152mm)	10.75" (273mm)	3.88" (98mm)	1.00" (25mm)
ALS-400	4.00" (102mm)	0.88" (22mm)	7.00" (178mm)	11.75" (298mm)	3.88" (98mm)	1.00" (25mm)
ALSW-100	1.00" (25mm)	0.50" (13mm)	1.69" (43mm)	3.00" (76mm)	2.00" (51mm)	1.00" (25mm)
ALSW-200	2.00" (51mm)	1.00" (25mm)	3.00" (76mm)	4.88" (124mm)	2.88" (73mm)	1.00" (25mm)
ALSW-300	3.00" (76mm)	1.44" (37mm)	4.56" (116mm)	6.88" (175mm)	3.88" (98mm)	1.00" (25mm)
ALSW-400	4.00" (102mm)	2.44" (62mm)	5.50" (140mm)	7.88" (200mm)	3.88" (98mm)	1.00" (25mm)



ALS (TYP.)



ALSW (TYP.)