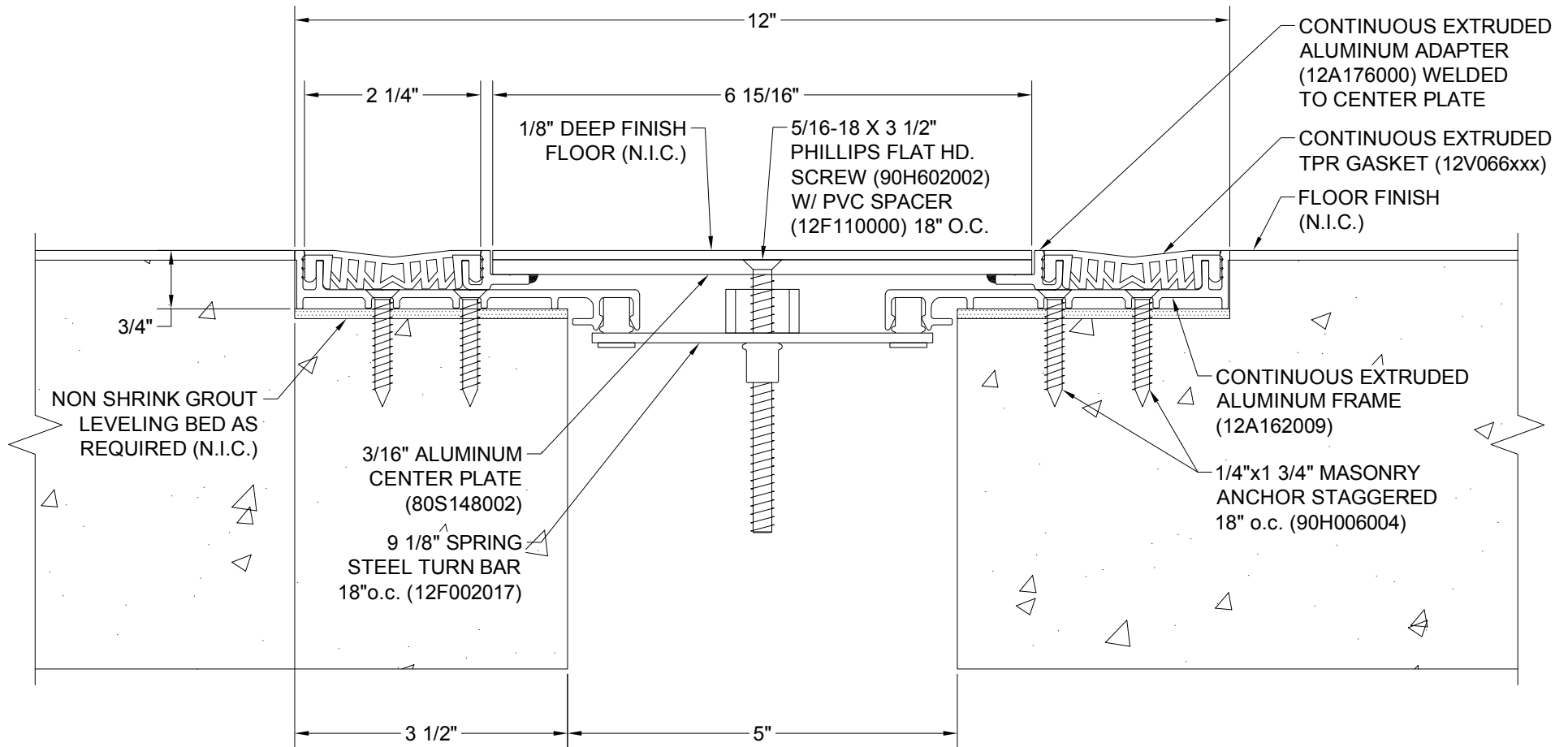


ARCHITECT NOTE:

PLEASE SELECT, SEAL COLOR DESIRED,
FROM THE COLORS LISTED BELOW

108 BLACK		270 GREIGE	
136 GRAY		232 WHITE	



SGR-500



Construction Specialties™

6696 Route 405 Highway, Muncy, PA 17756
Phone (800) 233-8493 / Fax (570) 546-8022

PROJECT:	SCALE: 1/2
CUSTOMER:	DATE:
LOCATION:	JOB NO.:
DRAWN BY:	SHEET NO.: