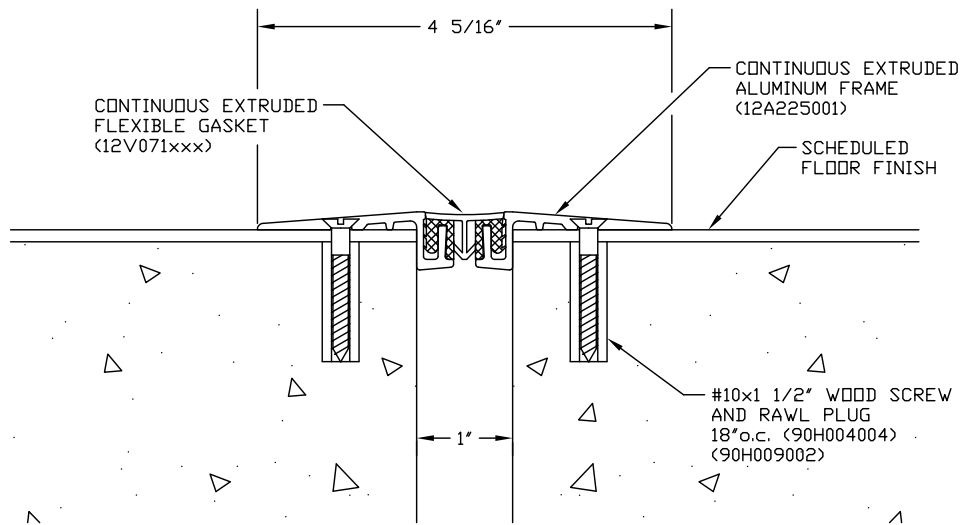


ARCHITECT NOTE:

PLEASE SELECT, GASKET COLOR DESIRED,  
FROM THE COLORS LISTED BELOW.

|           |  |            |  |
|-----------|--|------------|--|
| 108 BLACK |  | 270 GREIGE |  |
| 136 GRAY  |  | 232 WHITE  |  |



# GFS-100

|           |               |       |
|-----------|---------------|-------|
| PROJECT:  | SCALE: N.T.S. | DATE: |
| CUSTOMER: | SUB. BY:      | SHT.  |
| LOCATION: | JOB NO:       |       |

C/S Group  
Construction Specialties, Inc - C/S Construction Specialties company - Manufacturing / Sales Locations

|  |  |
|--|--|
| U.S.A. - Tel:(570) 546-5941/Fax:(570)546-4703/info@c-sgroup.com            | Hong Kong - Tel:+852-2892-0917/Fax:+852-2892-0956/conspec@c-sgroup.com.hk  |
| Canada - Tel:(905) 274-3611/Fax:(905)274-6241/canada@c-sgroup.com          | Taiwan - Tel:+886-2-2712-8120/Fax:+886-2-2713-9022/conspec@c-sgroup.com.tw |
| England - Tel:+44-1-296-611000/Fax:+44-1-296-399444/info@c-sgroup.co.uk    | Australia - Tel:+61-2-9540-5400/Fax:+61-2-9540-5253/sales@c-sgroup.com.au  |
| France - Tel:+33-232-648400/Fax:+33-232-648421/export@c-s-france.fr        | New Zealand - Tel:+64-4-527-9156/Fax:+64-4-528-8347/info@c-sgroup.co.nz    |
| Singapore - Tel:+65-6-276-4276/Fax:+65-6-273-7557/conspec@singnet.com.sg   | U.A.E. - Tel:+971-4-331-2167/Fax:+971-4-331-5023/c_sgroup@emirates.net.ae  |
| Malaysia - Tel:+60-3-556-95227/Fax:+60-3-556-95237/conspec@c-sgroup.com.my | Uruguay - Tel:+598-2-525-0126/Fax:+598-2-525-2489/c-sgroup@adinet.com.uy   |