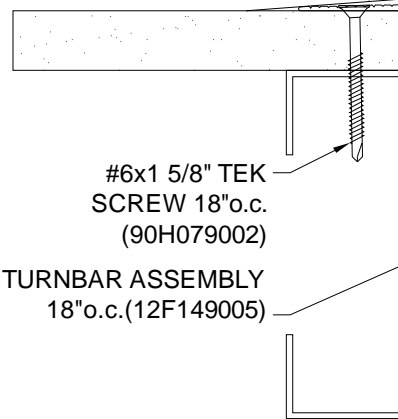


CONTINUOUS EXTRUDED
ALUMINUM CENTER MULLION
(12A340001)

CONTINUOUS EXTRUDED
ALUMINUM FRAME
(12A350008)

FRAME CONCEALED BY
FEATHERED JOINT
COMPOUND (N.I.C.)



#6x1 5/8" TEK
SCREW 18"o.c.
(90H079002)

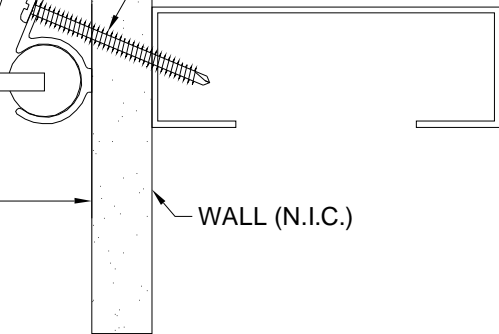
16" TURNBAR ASSEMBLY
18"o.c.(12F149005)

9"

CONTINUOUS EXTRUDED
FLEXIBLE GASKET
(12V156xxx)

CONTINUOUS EXTRUDED
ALUMINUM FRAME
(12A349708)

#8 X 2" TEK
SCREW 18" O.C.
(90H127002)



WALL (N.I.C.)

FWFC-900



Construction Specialties™

6696 Route 405 Highway, Muncy, PA 17756
Phone (800) 233-8493 / Fax (570) 546-8022

PROJECT:

SCALE:

SCALED TO FIT

CUSTOMER:

DATE:

LOCATION:

JOB NO.:

DRAWN BY:

SHEET NO.: