

CONTINUOUS EXTRUDED
ALUMINUM CENTER MULLION
(12A340001)

CONTINUOUS EXTRUDED
ALUMINUM FRAME
(12A350008)

CONTINUOUS EXTRUDED
FLEXIBLE GASKET
(12V153xxx)

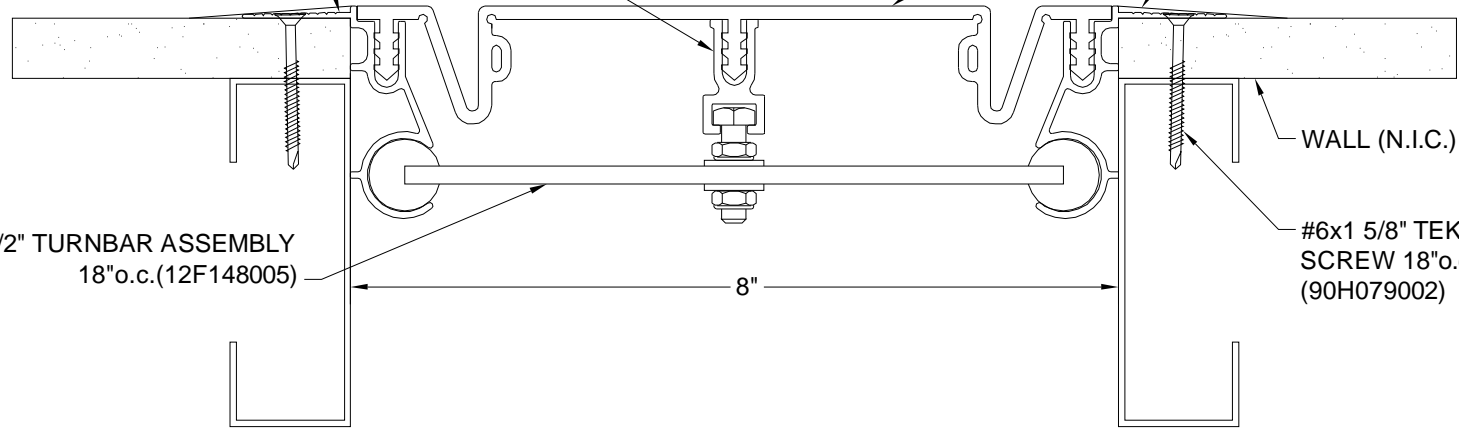
FRAME CONCEALED BY
FEATHERED JOINT
COMPOUND (N.I.C.)

13 1/2" TURNBAR ASSEMBLY
18"o.c.(12F148005)

WALL (N.I.C.)

#6x1 5/8" TEK
SCREW 18"o.c.
(90H079002)

8"



FWF-800



Construction Specialties™
6696 Route 405 Highway, Muncy, PA 17756
Phone (800) 233-8493 / Fax (570) 546-8022

PROJECT:	SCALE: SCALED TO FIT
CUSTOMER:	DATE:
LOCATION:	JOB NO.:
DRAWN BY:	SHEET NO.: