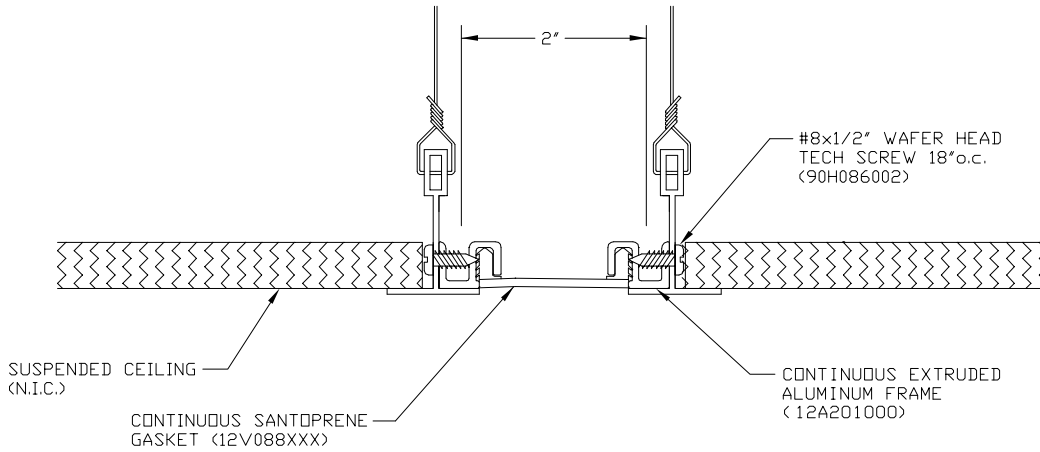


ARCHITECT NOTE:

PLEASE SELECT, GASKET COLOR DESIRED,  
FROM THE COLORS LISTED BELOW.

108 BLACK		270 GREIGE	
136 GRAY		232 WHITE	



# FCF-200

PROJECT:	SCALE: N.T.S.	DATE:
CUSTOMER:	SUB. BY:	SHT.
LOCATION:	JOB NO:	

C/S Group  
 Construction Specialties, Inc - C/S Construction Specialties company - Manufacturing / Sales Locations  
 U.S.A. - Tel:(570) 546-5941/Fax:(570)546-4703/info@c-sgroup.com  
 Canada - Tel:(905) 274-3611/Fax:(905)274-6241/canada@c-sgroup.com  
 England - Tel:+44-1-296-611000/Fax:+44-1-296-399444/info@c-sgroup.co.uk  
 France - Tel:+33-232-648400/Fax:+33-232-648421/export@cs-france.fr  
 Singapore - Tel:+65-6-276-4276/Fax:+65-6-273-7557/conspc@singnet.com.sg  
 Malaysia - Tel:+60-3-556-95227/Fax:+60-3-556-95237/conspc@c-sgroup.com.my  
 Hong Kong - Tel:+852-2892-0917/Fax:+852-2892-0956/conspc@c-sgroup.com.hk  
 Taiwan - Tel:+886-2-2712-8120/Fax:+886-2-2713-9022/conspc@c-sgroup.com.tw  
 Australia - Tel:+61-2-9540-5400/Fax:+61-2-9540-5253/sales@c-sgroup.com.au  
 New Zealand - Tel:+64-4-527-9156/Fax:+64-4-528-8347/info@c-sgroup.co.nz  
 U.A.E. - Tel:+971-4-331-2167/Fax:+971-4-331-5023/c\_sgroup@emirates.net.ae  
 Uruguay - Tel:+598-2-525-0126/Fax:+598-2-525-2489/c-sgroup@adinet.com.uy