

# CS GROUP INSTALLATION INSTRUCTIONS

## PEDITRED, PEDITRED LP / PEDITRED WR SERIES LB

16D

Congratulations, you have just purchase the highest quality entrance grid available. Proper installation is necessary to ensure that your warranty will be honored by Construction Specialties, Inc.

LB FRAME INSTALLATION:

NOTE: ALTERNATE FRAME INSTALLATIONS SIMILAR, SEE SHEET 16F.

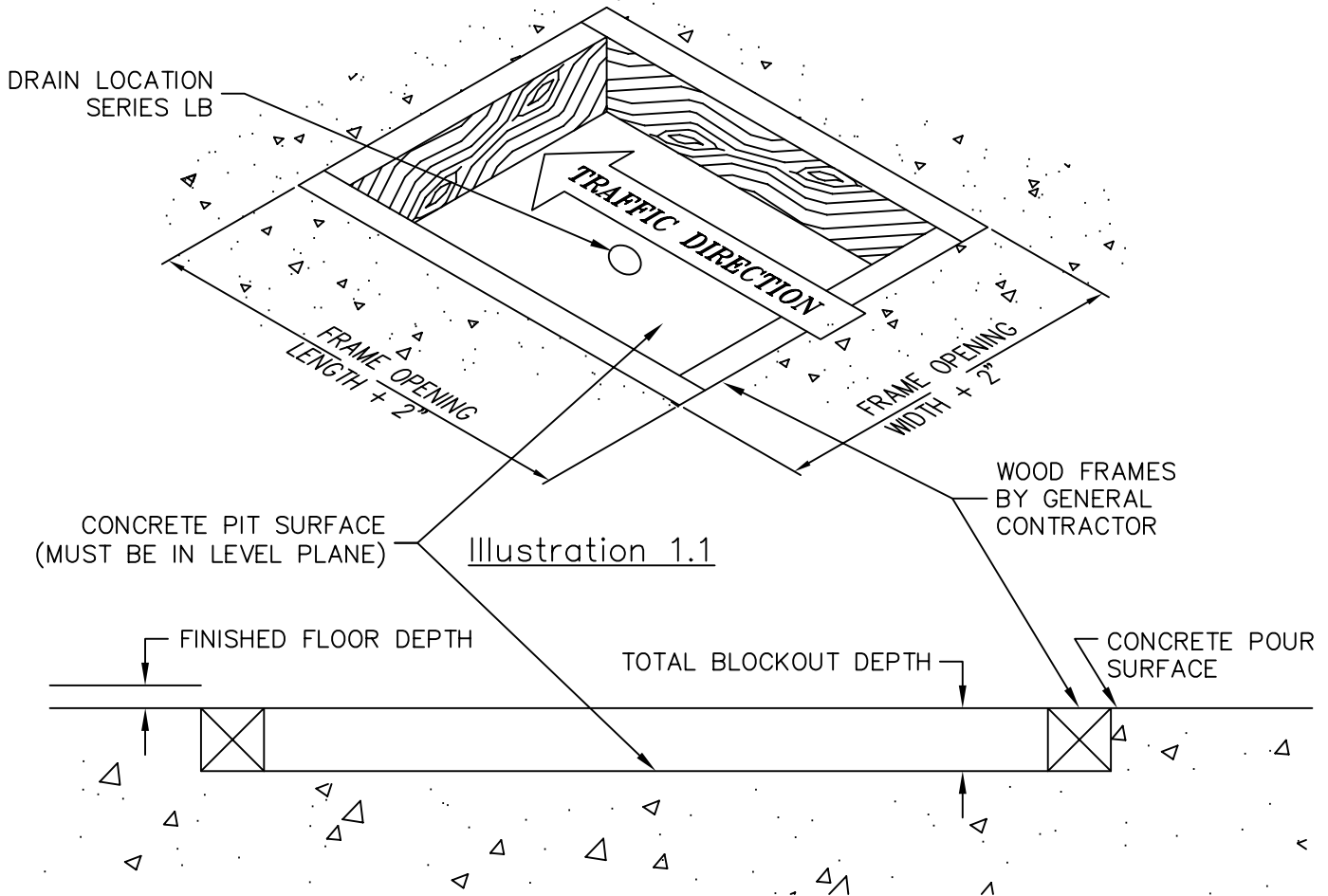


Illustration 1.2

1. Before beginning installation, confirm that the orientation of the tread surfaces on the grid assembly run perpendicular to the traffic direction (See Illustration 3.2).
2. Provide blockout in concrete 2" (50.8mm) greater than the actual width and length of the framed Peditred. Peditred / Peditred WR level base frame depth is 1" (25.4mm). Peditred LP level base frame depth is 3/4" (19.05mm). Subtract finished floor depth from the frame depth; this dimension will be your total blockout depth.

\* Irregularities beyond the bottom leg thickness of the frame (1/4" [6.4mm]) will not allow the mat to lay flat with the top aligning in the same plane as the finished floor. This may cause tripping hazards or create an area of the mat to wear prematurely and possibly voiding our warranty.

NOTE: See Illustrations 1.1, 1.2, 2.2, & 3.1 to ensure the LB frame exposed surface will be flush with the finished floor surface!

LB FRAME ASSEMBLY:

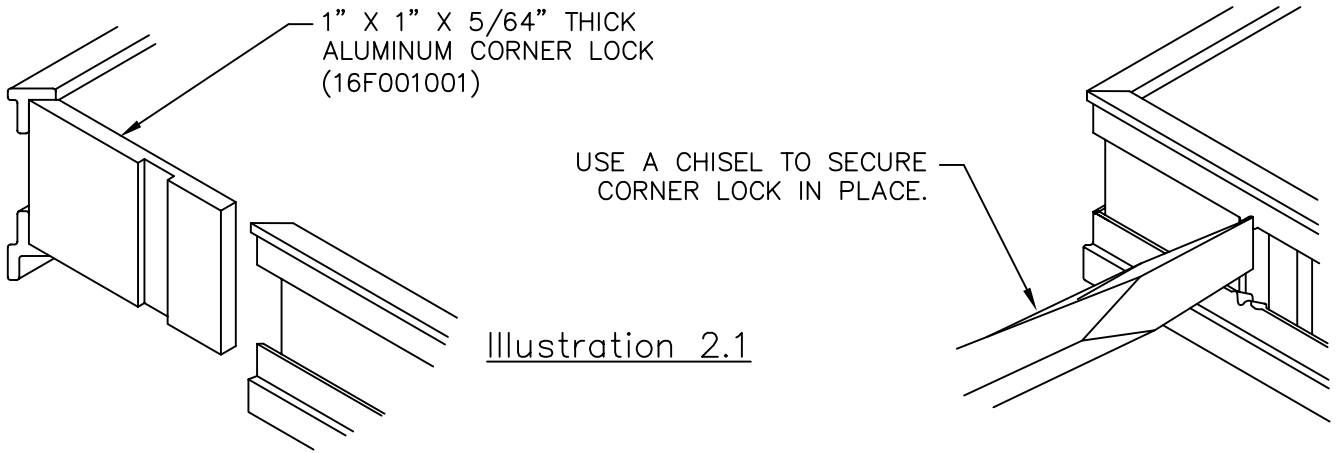


Illustration 2.1

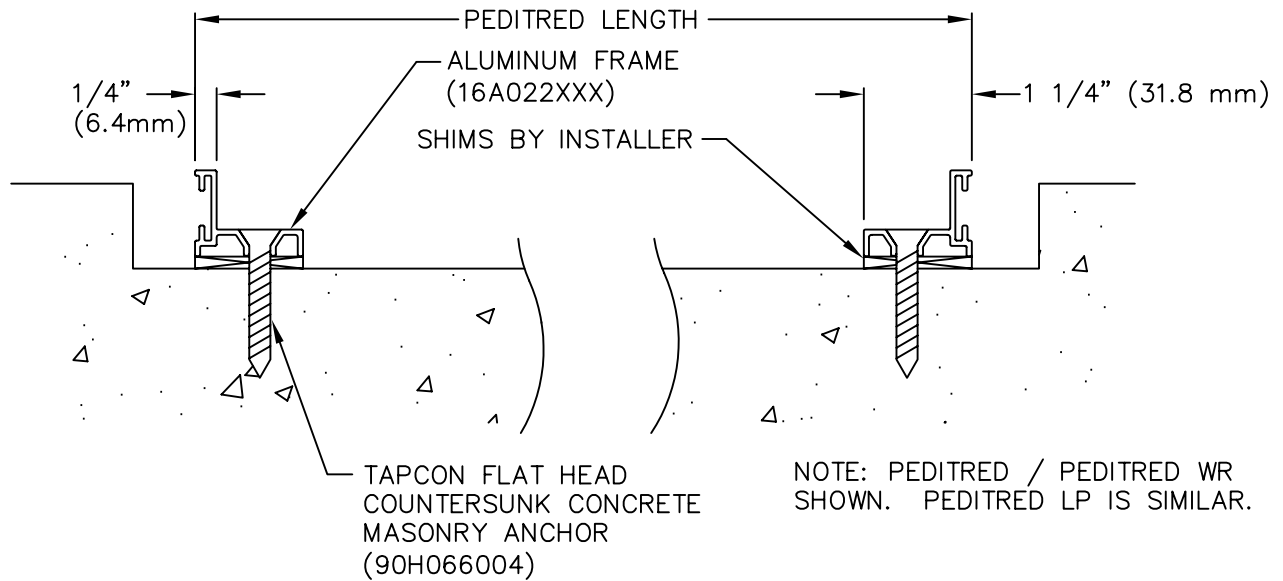


Illustration 2.2

3. After the concrete has cured, remove the wood forms.
4. Assemble the pieces of the level base frame using the corner locks, provided, at each corner. The ends of the frame pieces have been factory mitered to permit quick assembly. (See Illustration 2.1)
5. Set the frame assembly in the formed blockout, centering the assembly within the blockout (See Illustration 2.2).
6. Shim the frame assembly to locate the exposed frame surface flush with the finished floor surface (See Illustrations 2.2 & 3.1). Confirm both surfaces match before anchoring the frame!
  - \* Irregular and odd shaped grid modules require a trial fit within the frame assembly prior to anchoring the frames to ensure the correct frame location.
7. Once the assembly has been shimmed, anchor it in place using the supplied factory hardware.
  - \* It is very important that the frames be installed both plumb and square.
  - \* If necessary, brace the frames to ensure they will remain square during the grout application.
8. Clean the concrete blockout to remove all dirt, oily films, and debris.

9. Grout the concrete pit surface using a waterproof self-leveling grout.

Recommended brands of a grout material:

\* Quikrete #1585 mixed with #8610 acrylic fortifier

For technical assistance, call Quikrete @ (800) 282-5828 [www.quikrete.com]

\* VinylCrete with acrylic fortifier

For technical assistance, call UMACO Inc. @ (978) 453-8881 [www.umaco.com]

\* Pour and level the grout using the legs within the frame opening as screed points (See Illustration 3.1).

\* This surface must be smooth and level to ensure proper grid installation, alignment, and to prevent tripping hazards.

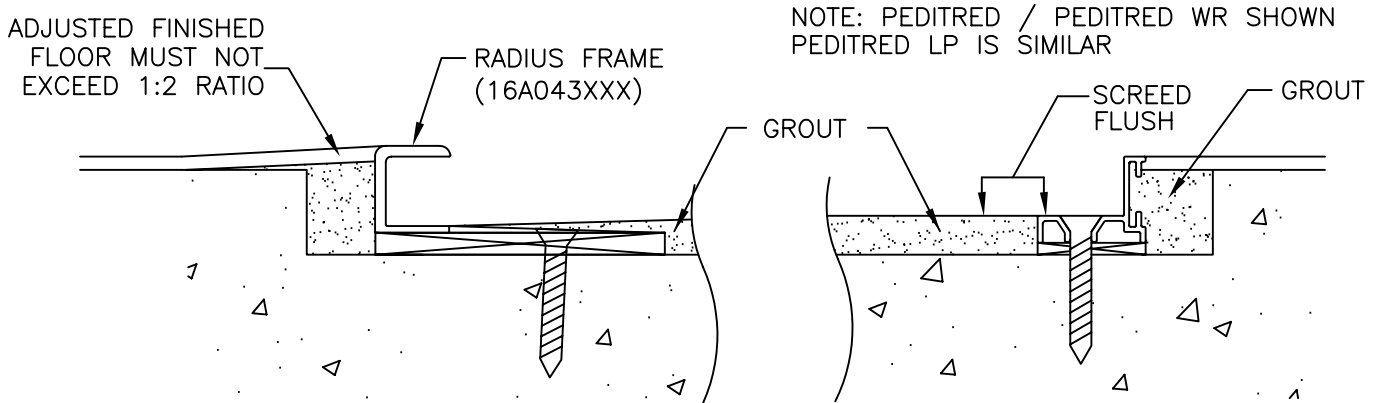


Illustration 3.1

10. Radius frame applications: The finished floor surface must be sloped slightly to allow for the height difference to the standard LB Frames.

11. Complete the frame assembly installation by applying the grout between the frame and the concrete. Pour the grout flush with the surrounding concrete.

\* Allow the grout material sufficient time to cure properly before inserting the grid within the framed opening.

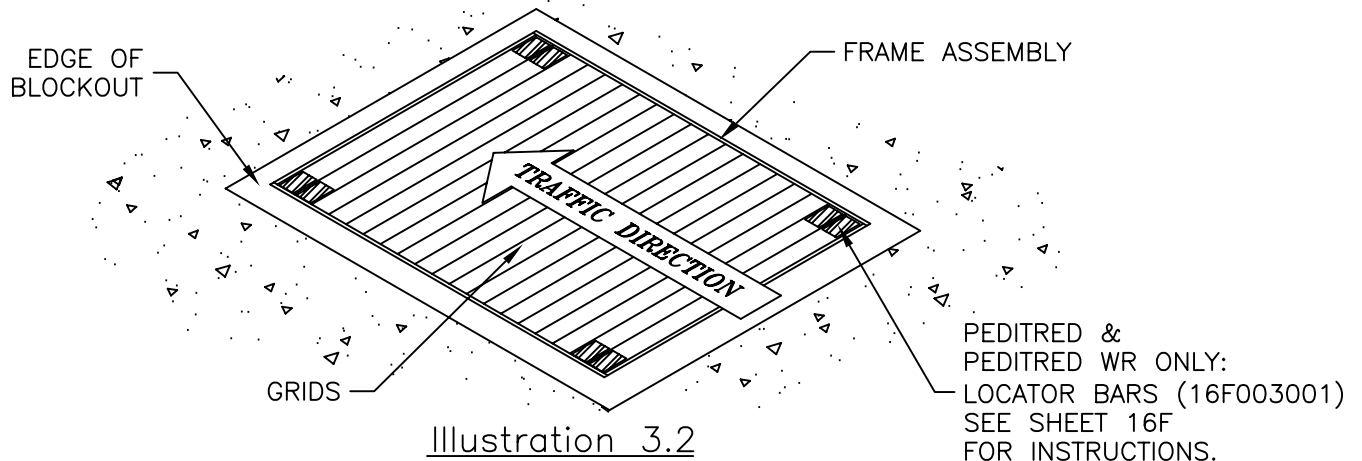


Illustration 3.2

12. Position the locator bars on the Peditred frame 1-1/2" (38.1mm) o.c. (two per corner) to enable the grids to remain flush with the perimeter frame. Locator bars for Peditred WR should be positioned 2" (50.8mm) o.c. and aligned with opposite legs of the endmost two adjacent rails.

The grid(s) are now installed within the frame by laying them into their proper position.

\* The installation is now complete. It is necessary to cover the installation with 3/4" (19.05mm) plywood until all additional project work is complete. Failure to do so allows the grid to be abused beyond its intended application and may void the manufacturers warranty.

# CARE AND MAINTENANCE INSTRUCTIONS

1. MANUFACTURERS SUGGESTED SAFE LOADS ARE:

- PEDITRED LP: 750 LBS. ROLLING WHEEL LOAD
- PEDITRED: 1,000 LBS. ROLLING WHEEL LOAD
- PEDITRED WR: 1,000 LBS. ROLLING WHEEL LOAD

Heavy loads beyond these values may bend and damage the units, contributing to their premature failure or create a tripping hazard.

2. CLEAN THE RECESS. Lift the grids and clean the recess as frequently as necessary. This will prevent an excess build-up of dirt under the grids. Note: Do not roll the grids too tightly!

3. CLEAN THE CARPET. Cleaning [Vacuum] of the carpet as needed will extend the life and look of your grids. Use only a light household-type carpet cleaner.

4. REPLACEMENT INSERT STYLES ARE AVAILABLE. Replacement insert styles can be purchased to renew the look and function of your unit for a fraction of the cost of replacing entire units. Simply call us at (800) 233-8493 (Muncy) or (888) 895-8955 (Canada) and our sales group will assist you with pricing, color selection and installation instructions.

SPECIFIED C/S COMPONENT	C/S PART NUMBER	SPECIFIED C/S COMPONENT	C/S PART NUMBER
ASSEMBLED PEDITRED UNITS	{ PER APPROVED { SHOP DWGS	REPLACEMENT COMPONENTS	CONTACT SALES
PEDITRED LP ALUMINUM FRAME	17A003XXX	CARPET TREAD INSERT	19C008XXX
PEDITRED ALUMINUM FRAME	16A022XXX	HEAVY DUTY CARPET TREAD	19C010XXX
PEDITRED RADIUS FRAME	16A043XXX	EXTERIOR CARPET TREAD	19C018XXX
PEDITRED LP CORNER LOCKS	90F022001	S/S POP RIVETS	90H005011
PEDITRED CORNER LOCKS	16F001001	VINYL TREAD INSERT	19V002XXX
FLAT HD. MASONRY ANCHOR	90H066004	VINYL ABRASIVE ALUM. CARRIER	19A003XXX
INSTALLATION INSTRUCTIONS	SHEET 16D	VINYL ABRASIVE TAPE	19M001XXX
LOCATOR BAR INSTRUCTIONS	SHEET 16F	PEDITRED 3/4" END VINYL	16V010108
OPT. PEDITRED 3/4" END VINYL (NON-PVC)	16V028108	PEDITRED VINYL CUSHION	16V016108
OPT. PEDITRED VINYL CUSHION (NON-PVC)	16V027108	PEDITRED LP END VINYL	16V019108
		PEDITRED LP VINYL CUSHION	16V018108
		LOCATOR BAR	16F003001

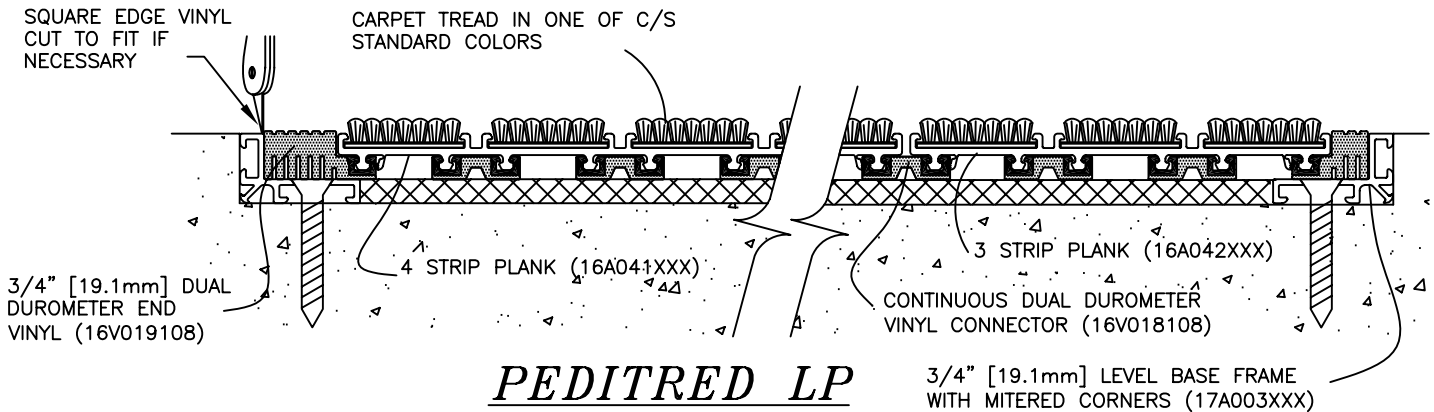
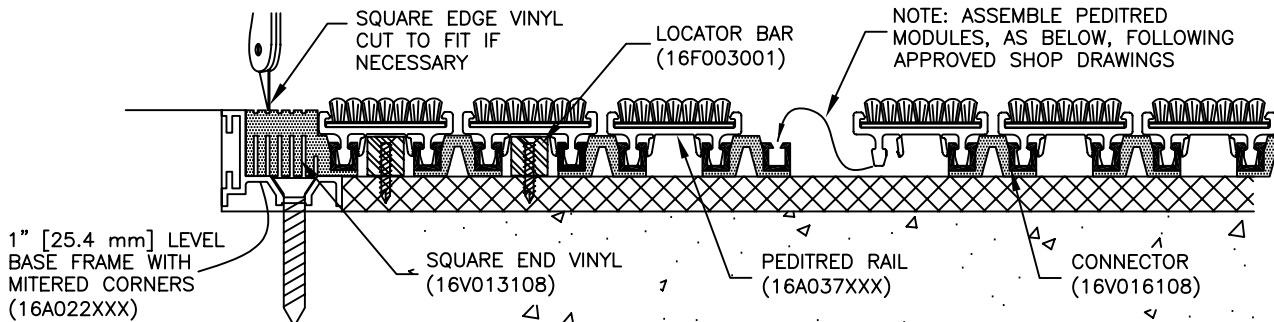


Illustration 4.1



**PEDITRED (SHOWN), PEDITRED WR SIMILAR**

Illustration 4.2