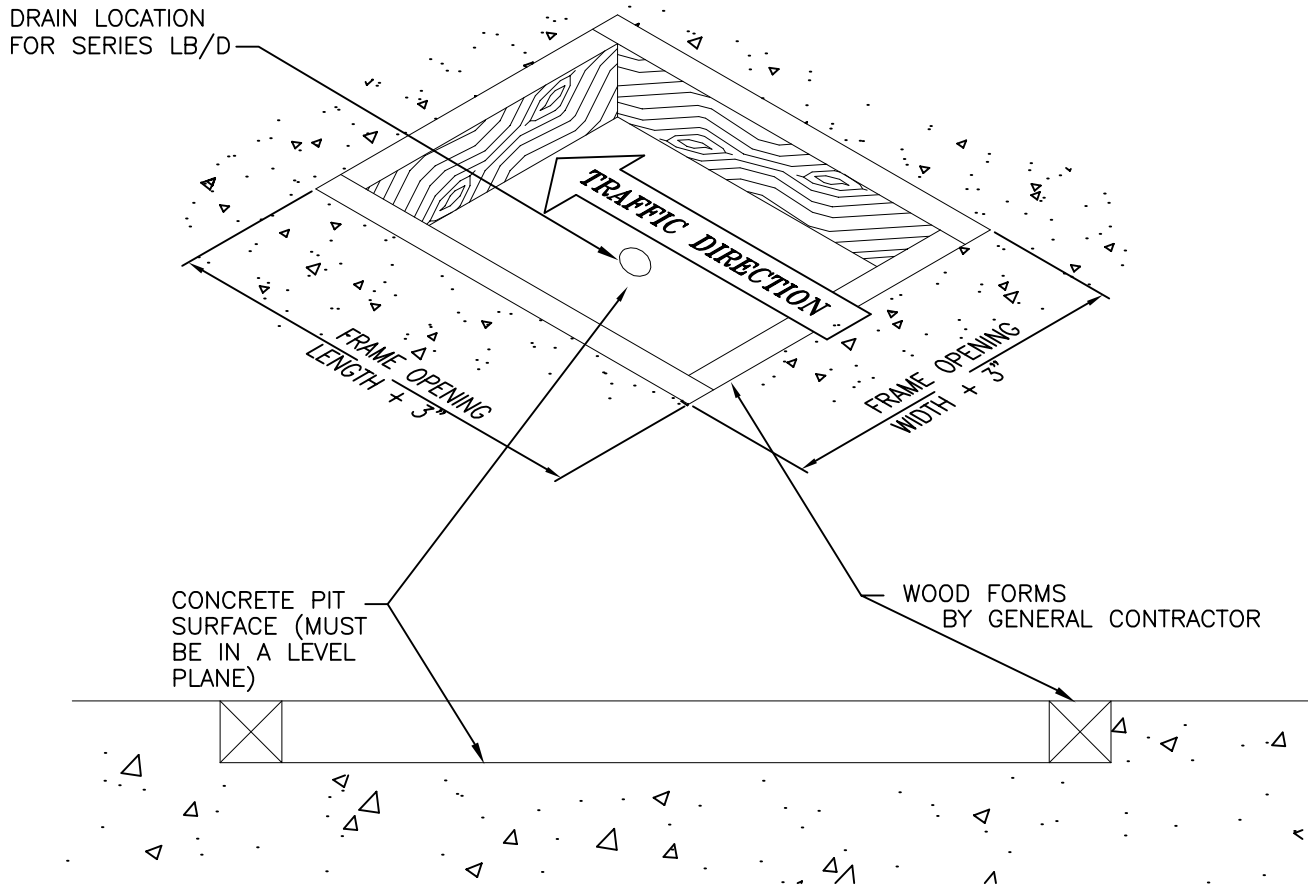


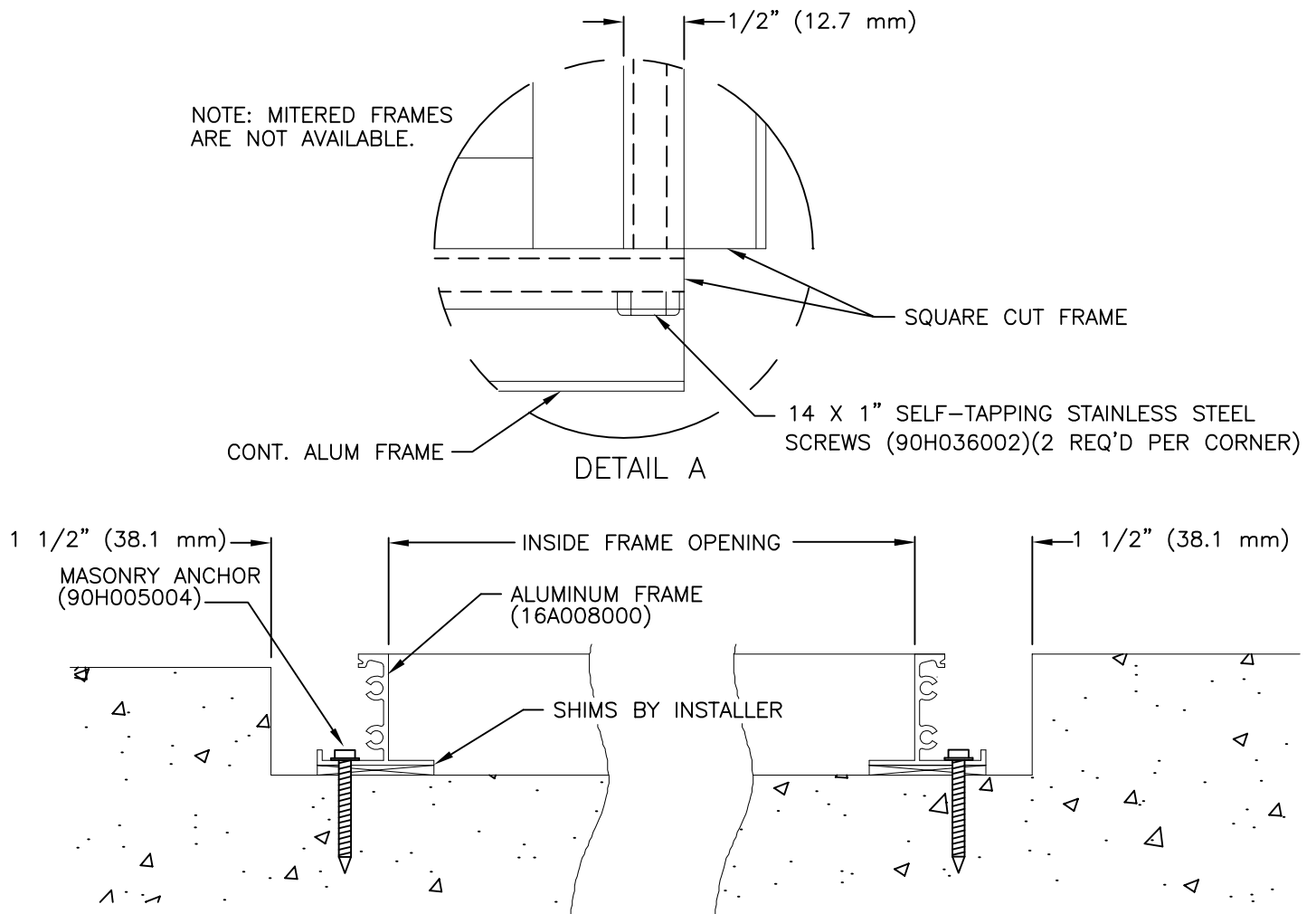
CS GROUP INSTALLATION INSTRUCTIONS 16B

PEDIGRID & PEDIGRID II SERIES LB, LB/D, & LB/DP

Congratulations, you have just purchased the highest quality entrance grid available. Proper installation is necessary to ensure that your warranty will be honored by Construction Specialties, Inc.

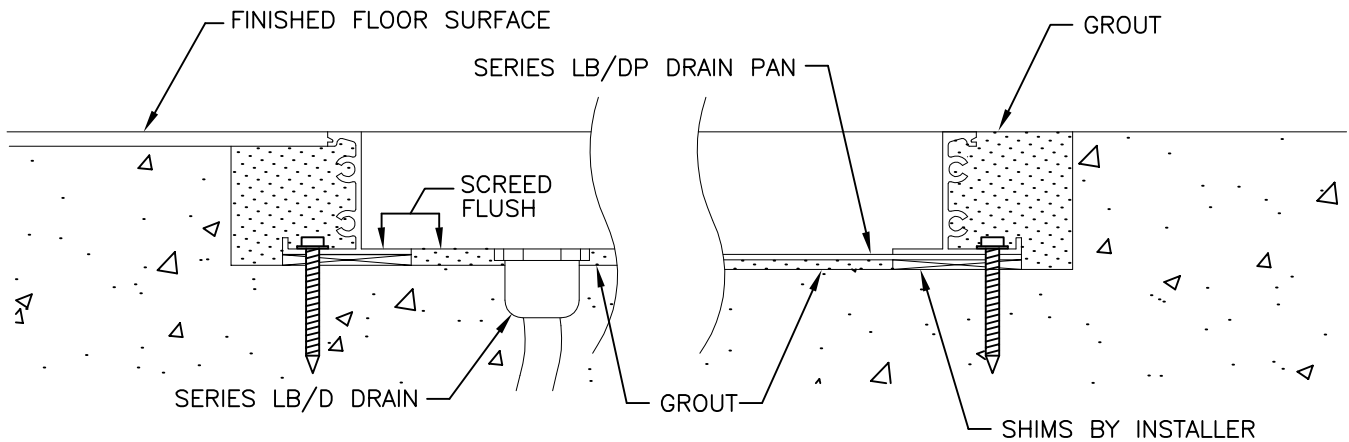


1. Before beginning installation, confirm that the orientation of the tread surfaces on the grid assembly run perpendicular to the traffic direction.
2. Provide blockout in concrete 3" (76.2 mm) greater than the actual width and length of the framed Pedigrid/Pedigrid II. Level base frame depth is 1-13/16" (46.0 mm). Subtract finished floor depth from the frame depth and add 1/4" (6.4 mm); this dimension will be your total blockout depth. The bronze tip application requires that 1/8" (3.18 mm) be added to total blockout depth.
 - * The additional 1/4" (6.4 mm) allows for irregularities in the concrete base of the pit opening.
 - * Irregularities beyond 1/4" (6.4 mm) will not permit the exposed frame surface and the horizontal plane of the grid surface to align properly.
3. If applicable, locate the 2" (50.8 mm) drain pipe and trap while pouring concrete.



4. After concrete has cured, remove wood forms.
5. Assemble the pieces of the level base frame using two self-tapping screws at each corner. The ends of the frame pieces have been factory notched and punched to permit quick assembly. (See Detail A)
6. Set the frame assembly in the formed blockout as shown above, centering assembly within blockout.
7. Shim the frame assembly to locate the exposed frame surface flush with the finished floor surface. Confirm that the frame depth will accommodate the thickness of the adjacent floor finish.
 - * Irregular shaped grids require grid trial fit within frame assembly prior to anchoring frames to ensure correct frame location.
8. Once the unit has been shimmed, anchor the unit in place.
 - * It is very important that the frames be installed both plumb and square.
 - * If necessary, brace the frames to ensure they will remain parallel and square during grouting.

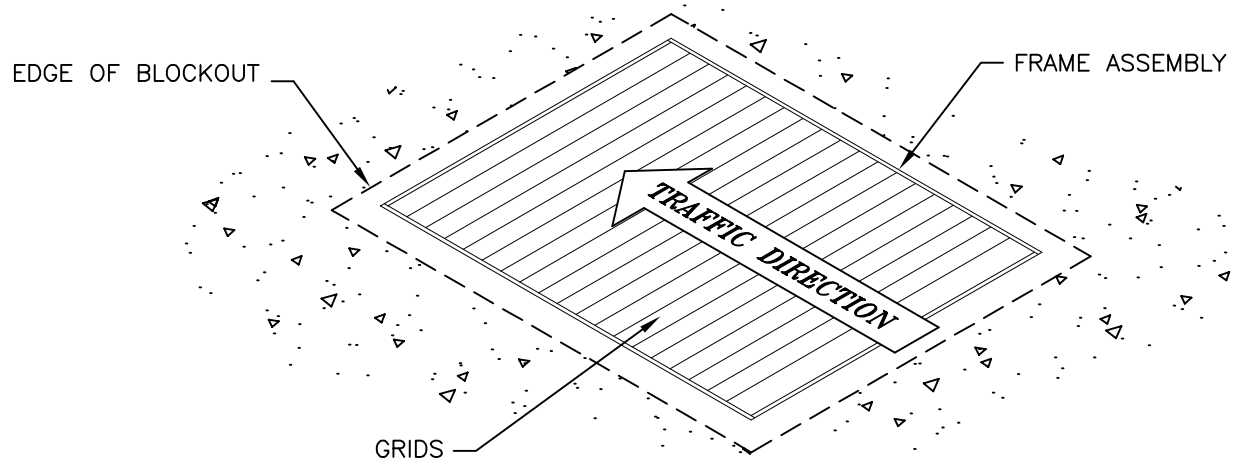
9. Series LB/D & LB/DP: Shim and anchor frame and pan as above, allowing for drain pipe cutout, and attach PVC drain and SS strainer.
10. Clean concrete breakout to remove all dirt, oily films, and debris.
11. Grout the concrete pit surface using a waterproof self-leveling grout. Recommended brands of grout:
 - * Quikrete #1585 mixed with #8610 acrylic fortifier
For technical assistance call Quikrete @ 404-634-9100
 - * VinylCrete with acrylic fortifier
For technical assistance call F.H. Leinweber Co. @ 708-424-9914
 - * Pour and level the grout using the legs within the framed opening as screed points.
 - * This surface must be smooth and level to ensure proper grid installation, alignment, and to prevent tripping hazards.
 - * Mix the grout "wet" to allow the grout to run back underneath the drain pan. (LB/DP only)



12. Complete the frame assembly installation by applying the grout between the frame and the concrete. Pour the grout flush with the surrounding concrete.

* Allow the grout material sufficient time to cure properly before inserting the grid within the framed opening.

C/S COMPONENT	C/S PART NUMBER	C/S COMPONENT	C/S PART NUMBER
ASSEMBLED PEDIGRID UNITS	} PER APPROVED } SHOP DWGS	REPLACEMENT PARTS	CONTACT SALES
ASSEMBLED PEDIGRID II UNITS		CARPET TREAD INSERT	19C001XXX
ASSEMBLED SERIES LB/DP FRAME		S/S POP RIVETS	90H011011
ALUMINUM FRAME	16A008000	VINYL TREAD INSERT	19V001XXX
SELF TAPPING S/S SCREWS	90H036002	VINYL ABRASIVE TAPE ADAPTOR	19N001XXX
HEX HEAD MASONRY ANCHORS	90H005004	VINYL ABRASIVE TAPE	19M001XXX
PEDIGRID GRILL LIFTING KEY	16M002000	PEDIGRID VINYL CUSHIONS	16V003108
DRAIN	16M001000	PEDIGRID II VINYL CUSHIONS	16V005108
INSTALLATION INSTRUCTIONS	SHEET 16B		



13. The grid(s) are now installed within the frame by laying them into their proper position. Position the vinyl cushions on the rails 24" (.60 m)o.c. to create a plumb, solid flush finished surface.
- * If rocking occurs, adjust the cushions.
 - * The installation is now complete. It is necessary to cover the installation with 3/4" (19.0 mm) plywood until all additional project work is complete. Failure to do so allows the grid to be abused beyond its intended application and may void manufacturers warranty.

CARE AND MAINTENANCE INSTRUCTIONS

1. NEVER WHEEL HEAVY LOADS OVER THE GRIDS. Heavy loads wheeled over the units may bend and damage the units contributing to their premature failure or creating a tripping hazard. "Heavy loads" include cars, boats, forklifts, pallet jacks, etc.
2. CLEAN THE RECESS. Lift the grids and clean the recess as frequently as necessary. This will prevent an excess build-up of dirt under the grids.
3. CLEAN THE CARPET. Cleaning of the carpet as needed will extend the life and look of your grids. Use only a light household-type carpet cleaner.
4. REPLACEMENT INSERT STYLES ARE AVAILABLE. Replacement insert styles can be purchased to renew the look and function of your unit for a fraction of the cost of replacing the entire units. Simply call us at (570)546-5941 (Muncy) or (760)734-4000 (Vista) and our sales group will assist you with pricing, color selection and installation instructions.

3/99

CONSTRUCTION SPECIALTIES, INC.

AND/OR

DecoGard Products, Inc.

MUNCY, PENNSYLVANIA 17756-9106
 VISTA, CALIFORNIA 92083-8438
 MISSISSAUGA, ONTARIO L5E 2C2

A member of the
CS GROUP
 of companies

This document is the property of Construction Specialties, Inc. and contains CONFIDENTIAL PROPRIETARY INFORMATION that is not to be disclosed to third parties and is not to be used without approval in writing from Construction Specialties, Inc.

FOR FURTHER ASSISTANCE CALL 1-888-834-4455 OR FAX 570-546-5169
 OR IN CANADA CALL 1-888-895-8955 OR FAX 905-274-6241