

PEDIMAT WITH ALUMINUM LEVEL BASE FRAME & VINYL ON ALL SIDES

INSERT STYLE:

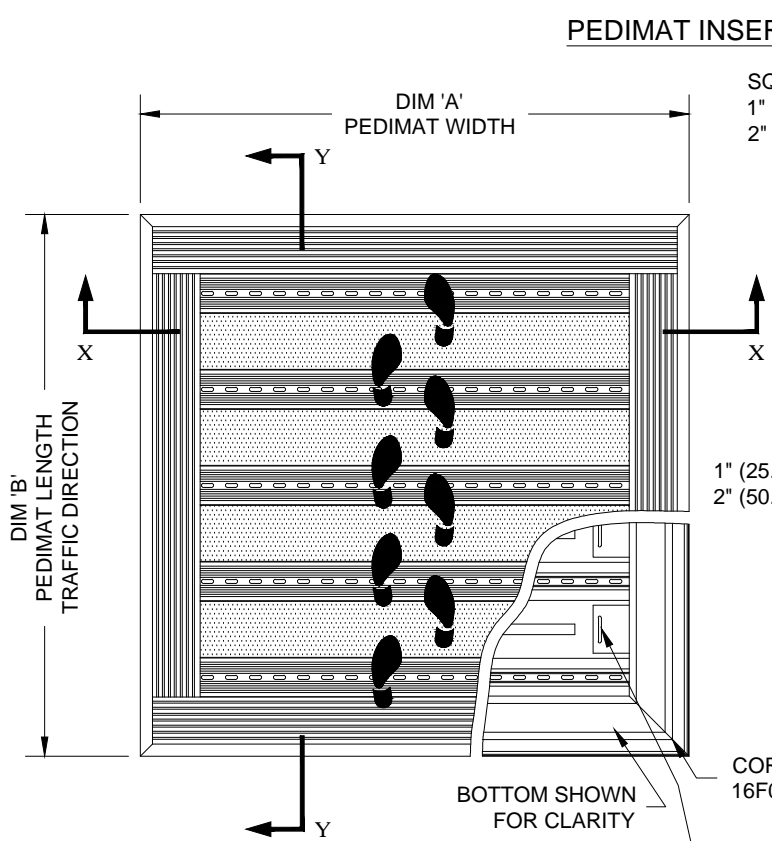
INSERT COLOR:

CATALOG NUMBER: M1

PART NUMBER:

NO.	REVISION	DATE	BY
NO.	F&F RELEASE	DATE	BY

- PEDIMAT INSERT STYLES**
- 
EXTERIOR CARPET
 M1EC
 19C018XXX
 - 
HEAVY-DUTY CARPET
 M1HC
 19C010XXX
 - 
VINYL
 M1V
 19V002XXX



TYPICAL PLAN VIEW

SQUARE END VINYL
 1" (25.4mm) WIDE (17V011XXX)
 2" (50.8mm) WIDE (17V012XXX)

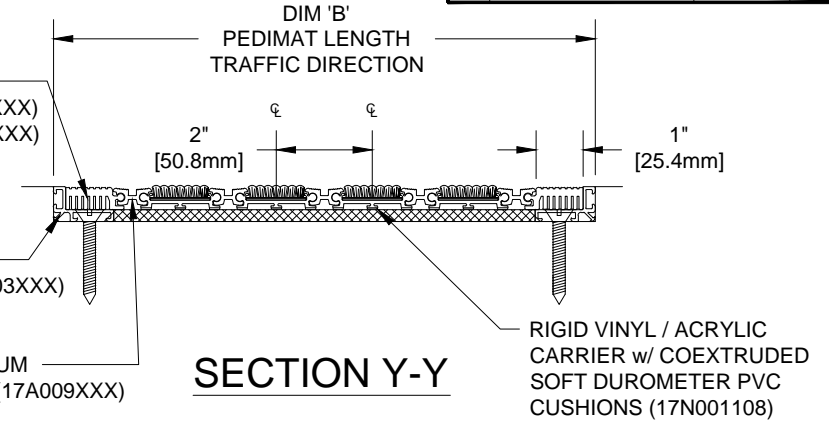
ALUMINUM LEVEL BASE FRAME (17A003XXX)

EXTRUDED ALUMINUM CONNECTING RAIL (17A009XXX)

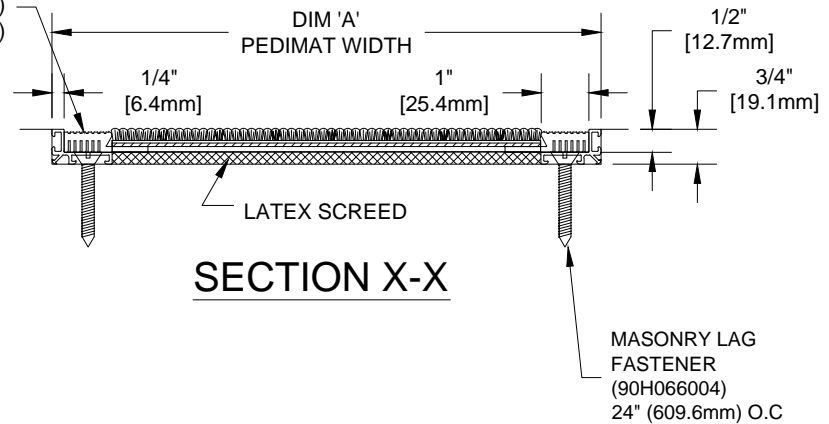
SQUARE EDGE VINYL
 1" (25.4mm) WIDE (17V015XXX)
 2" (50.8mm) WIDE (17V016XXX)

CORNER LOCKS 16F004001

SQUARE EDGE VINYL STAPLED TO RAILS



SECTION Y-Y



SECTION X-X

NOTES:

*ALL SURFACES IN CONTACT WITH MASONRY ARE TO RECEIVE A COAT OF ZINC CHROMATE PRIMER

*MAX. SINGLE GRID SIZE NOT TO EXCEED 12'-0" (3.66M) IN WIDTH (DIM "A") OR 100 SQUARE FEET

*PLEASE VERIFY TRAFFIC DIRECTION

*ADDITIONAL SPECIFICATIONS ARE CONTAINED IN THE LATEST C/S CATALOG OR AT C-SGROUP.COM AND ARE CONSIDERED PART OF THIS TRANSMITTAL.

*PEDIMAT SHALL BE ABLE TO SUPPORT A 350 LB. ROLLING LOAD. LARGER LOADING MAY BE ACCOMMODATED. CONTACT C/S SALES WITH SPECIFIC LOADING REQUIREMENTS.

CS Construction Specialties™
 6696 Route 405 Highway, Muncy PA 17756
 (800) 233-8463 • Fax (570) 546-8992 • www.c-sgroup.com

PLEASE VERIFY ALL	QTY	MARK #	LOCATION	MODEL	DIM 'A' WIDTH	DIM 'B' LENGTH	FINISH	NOTES

PROJECT:		
LOCATION:		
CONTRACTOR:		
AGENT:		SHT:
DRG. BY:	DATE:	JOB NO.: