

1 1/8" GRIDLINE WITH LEVEL BASE FRAME AND DRAIN PAN

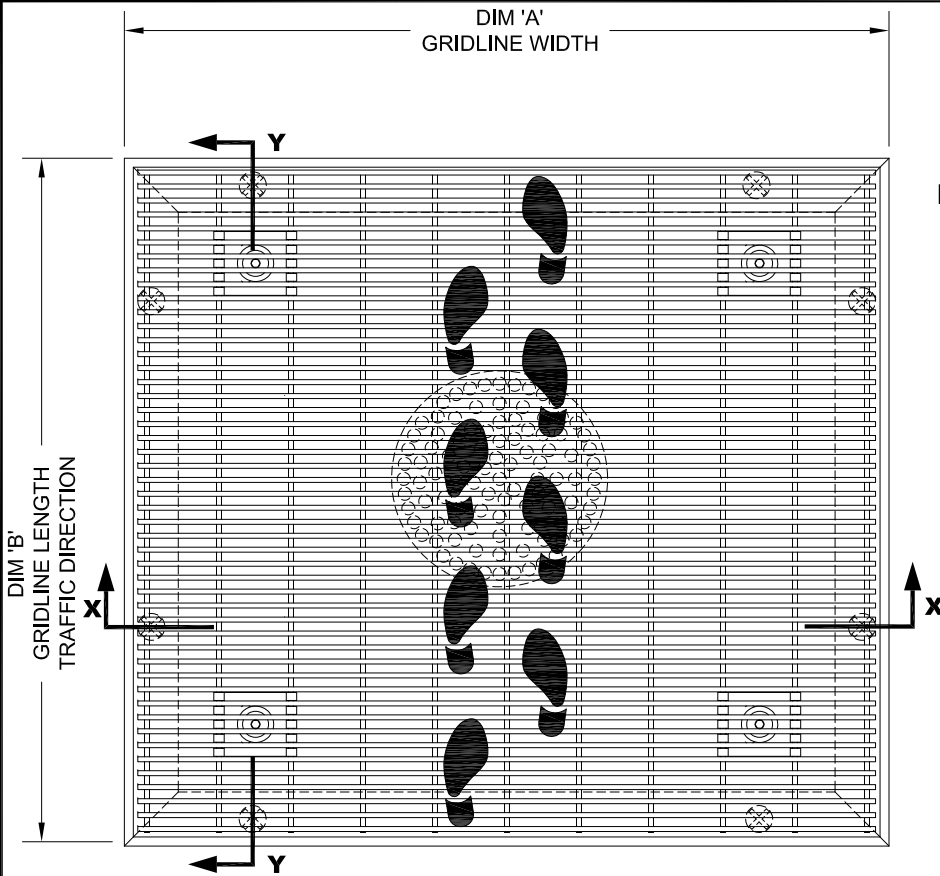
INSERT STYLE: N/A

INSERT COLOR: N/A

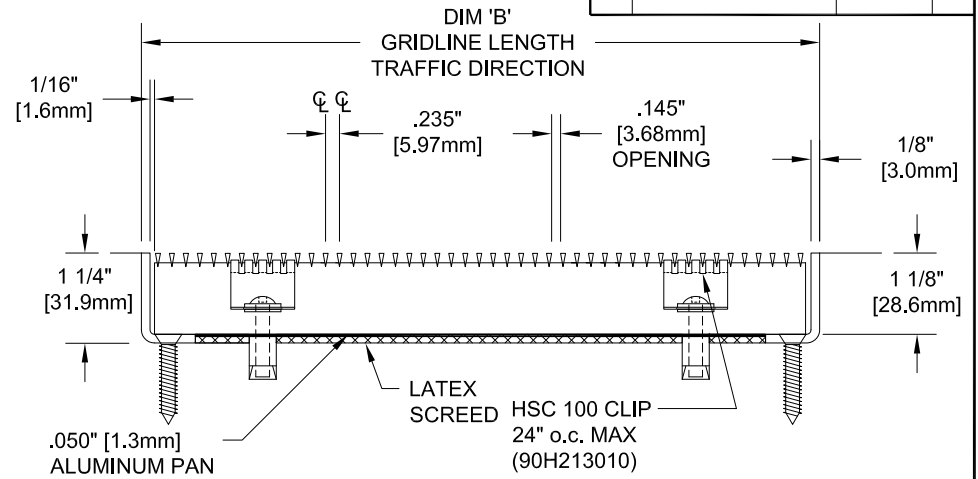
CATALOG NUMBER: G6

PART NUMBER:

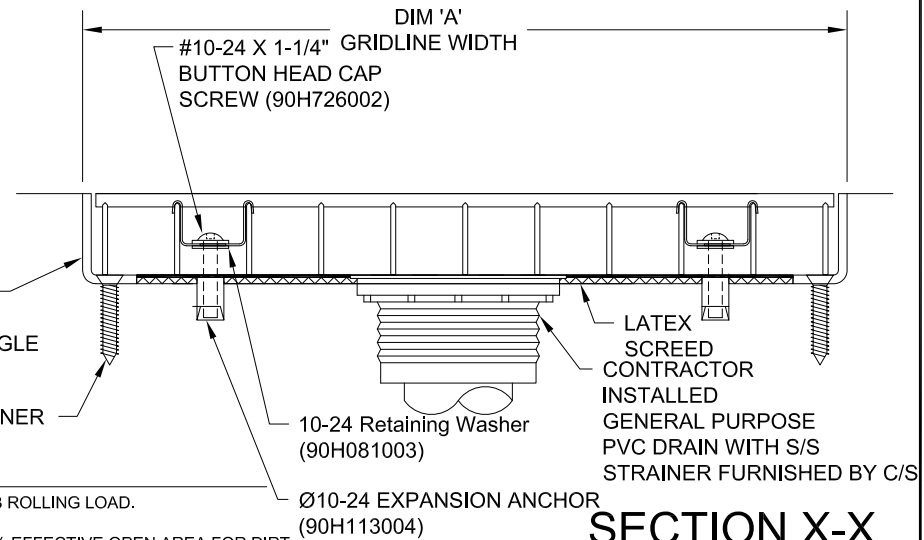
NO.	REVISION	DATE	BY
NO.	F&F RELEASE	DATE	BY



TYPICAL PLAN VIEW



SECTION Y-Y



SECTION X-X

LEVEL BASE FRAME  
1 1/4" X 3/4" X 1/8"  
STAINLESS STEEL ANGLE  
(16S001000)

MASONRY LAG FASTENER  
(90H066004)  
24" (609.6mm) O.C.

LATEX  
SCREED  
CONTRACTOR  
INSTALLED  
GENERAL PURPOSE  
PVC DRAIN WITH S/S  
STRAINER FURNISHED BY C/S

NOTES:

\*MAX. SINGLE GRID SIZE NOT TO EXCEED 8'-0" [2.438M] IN WIDTH (DIM 'A') OR 4'-0" [1.22M] IN LENGTH (DIM 'B')

\*GRIDS SHALL BE ABLE TO SUPPORT A 500LB ROLLING LOAD.

\* SURFACE WIRE SPACING PROVIDES A 57.7% EFFECTIVE OPEN AREA FOR DIRT AND MOISTURE REMOVAL.

\*ALL SURFACE WIRES AND SUPPORT BARS ARE ELECTRONICALLY RESISTANCE WELDED TO ENSURE CORRECT WEIGHT BEARING PROPERTIES.

\*\*ADDITIONAL SPECIFICATIONS ARE CONTAINED IN THE LATEST C/S CATALOG OR AT C-SGROUP.COM AND ARE CONSIDERED PART OF THIS TRANSMITTAL.

**CS Construction Specialties**  
6896 Route 405 Highway, Muncy PA 17756  
(800) 233-8493 • Fax (570) 546-4692 • www.c-sgroup.com

QTY	MARK #	LOCATION	MODEL	DIM 'A' WIDTH	DIM 'B' LENGTH	FRAME FINISH	REMARKS

PROJECT:		
LOCATION:		
CONTRACTOR:		
AGENT:		SHT:
DRG. BY:	DATE:	JOB NO.:

PLEASE VERIFY ALL